

PDP-12
MAINTENANCE MANUAL
VOLUME IV
MODULE SCHEMATICS

1st Edition, June 1970
2nd Printing (Rev), December, 1970

Copyright © 1970 by Digital Equipment Corporation

The material in this manual is for information purposes and is subject to change without notice.

The following are trademarks of Digital Equipment Corporation, Maynard, Massachusetts:

DEC	PDP
FLIP CHIP	FOCAL
DIGITAL	COMPUTER LAB

FOREWORD

The *PDP-12 Maintenance Manual*, published in four separate volumes, is a guide for Field Service Engineers or other personnel involved with the care and maintenance of the PDP-12 Computer. The Maintenance Manual is organized as follows:

VOLUME I PRINCIPLES OF OPERATION

This volume contains a description of PDP-12 logic. An overall view of the system is presented in seven chapters entitled Central Processor, Memory, Input/Output, Teletype, LINC Devices, Tape Processor, and Prewired I/O Bus Options. The text describes logical relationships among the various elements of the PDP-12.

VOLUME II INSTALLATION AND MAINTENANCE

The first chapters of this volume describe the unpacking, installation, and preliminary check-out procedures for the PDP-12. The remainder of the volume comprises procedures used in the day-to-day maintenance, adjustment, and repair of the computer.

VOLUME III LOGIC SCHEMATICS

Volume III consists primarily of flow charts and block schematics that describe the PDP-12. The block schematics, lists, and flow charts in Volume III are reduced (11 in. x 17 in.) versions of engineering drawings.

VOLUME IV MODULE SCHEMATICS

The circuit schematics in Volume IV describe all the module types used in the PDP-12, including both the regular production DEC modules and those designed especially for the PDP-12.

CONTENTS

Module Number	Title	Revision
A131	8 Channel Multiplexer	C
A214	2 Differential Preamps	B
A215	1 Buffer Amplifier	A
A225	Deflection Amplifier	A
A404	1 Sample and Hold	-
A615	1 D/A	C
A811	1 A/D Converter	F
B142	Diode Gate	-
B-734B	Variable Power Supply	2
G020	2 Sense Amps	J
G021	2 Sense Amps	J
G221	Memory Selector	D
G228	Inhibit Driver	F
G610	A-Diode Board	B
G611	B-Diode Board	A
G624	Resistor Board	D
G700YA	100Ω Terminator	-
G718	LINC-8 Timing Jumper	A
G780	Cable Connector	-
G783	Cable Connector	-
G793	PDP-8/I Switch Connector	B
G805	Negative Regulator	H
G817	VR12 Power Supply	B
G818	VR12 Power Supply	D
G824	Power Supply Regulator	C
G826	Regulator Control	L
G836	VR14 PS & Regulator Bd	A
G838	Fault Protection Bd	-
G847	Dual Motor Control	A
G848	Motor Drive	F
G850	SCR Driver	P
G851	Tape Head Relay	B
G853	Motion and Selection Circuit	A
G859	Clock Regulator	B
G882	Manchester Reader Writer	D
G888	Manchester Reader Writer (Optional)	-
G912	VR12 Drive Amplifier	-
G916	Power Protection and Switch Filter	-
G917	VR12 Preamp Module	-
G918	Photo Amplifier	B
H719	Power Supply	-
K303	Three Timers	C

CONTENTS (Cont)

Module Number	Title	Revision
K374	Calibrated Timer Control	A
K376	Calibrated Timer Control	A
K378	Calibrated Timer Control	A
M002	15 Loads	—
M040	Solenoid Driver	E
M044	Solenoid Driver	B
M051	Level Converter	—
M101	Bus Data Interface	—
M103	Device Selector	A
M111	Inverter	A
M112	NOR Gate	D
M113	10-2 Input NAND Gates	C
M115	8-3 Input NAND Gates	C
M117	6-4 Input NAND Gates	E
M119	3-8 Input NAND Gates	B
M121	XOR Gates	C
M141	AND/NOR Gates	B
M160	Gate Module	B
M161	Binary to Octal/Decimal Decoder	B
M169	Gating	A
M212	Six-Bit L-R Shift Register	B
M216	Six Flip-Flops	B
M217	Four-Bit Counter and Buffer	—
M221	Main Register	B
M222	PDP-12 Main Register	A
M302	One-Shot Delay	K
M304	Four One Delay	A
M307	Two Integrating One Shots	B
M310	Delay Line	D
M360	Variable Delay	B
M401	Clock	M
M405	Crystal Clock	—
M452	Variable Clock	A
M503	Two Schmitt Triggers and PA	—
M507	Bus Converter	D
M508	Bus Converter	A
M516	Positive Bus Receiver	—
M531	Negative Input Converter	A
M602	Pulse Generator	B
M617	6-4 Input NOR/Buffers	E
M623	Bus Driver	E
M627	Power Amplifier Module	F
M651	Negative Output Converter	B
M660	Positive Level Driver	A

CONTENTS (Cont)

Module Number	Title	Revision
M700	Manual Timing Generator	E
M703	Power Fail	J
M704	Plotter Control	E
M705	Reader Control	J
M706	Teletype [®] Receiver	L
M707	Teletype Transmitter	D
M710	Punch Control	H
M711	Scope Control	C
M715	Reader Clock	K
M719	PDP-12 Clock Input Synchronizer	—
M720	Memory Detection	A
M760	PDP-12 A/D Control	—
M850	Converter and Cable Connector	A
M870	Simple Clock	—
M900	PDP-8/I Console Connector	B
M901	One-to-One Cable	C
M903	Connector (Flexprint [®])	—
M906	Cable Terminator	B
M907	Diode Clamp	—
M908	Ribbon Connector	—
M921	Jumper Board	—
M941	Jumper/Extender	—
R002	Diode	A
R107	Inverter	H
R111	Diode Gate	F
R202	Dual Flip-Flop	F
R303	Integrating One Shot	K
S107	Inverter	D
S111	Diode Gate	D
S181	DC Carry Chain	A
S202	Dual Flip-Flop	D
S603	Pulse Amplifier	E
W005	Clamped Loads	B
W021	Signal Cable Connector	I
W023	Connector	—
W032	Tape Head Cable Connector	—
W040	Solenoid Driver	2
W512	Positive Level Converter	B
W513	Level Amplifier	E
W520	Comparator	C
W603	Positive Level Amplifier	C
W640	Pulse Amplifier	L

[®]Teletype is the registered trademark of Teletype Corporation.

[®]Flexprint is the registered trademark of Sanders Associates.

CONTENTS (Cont)

Module Number	Title	Revision
W681	Scope Intensifier	H
W682	Intensity Amplifier	E
W701	Input Network	A
W990	Blank Module	A
783	Power Supply	C
828	Power Receptacle	—
854	Power Control	A
8114	Console Lite	—
8124	Relays and Speaker Driver	—
*1203185-2 (C-13495)	Precision Power Supply (Deltron)	C
†1203185-2	Precision Power Supply (Power-Mate)	—

POWER SUPPLIES

Module Number	Title	Revision
B-734B	Variable Power Supply	2
G-817	VR12 Power Supply	B
G-818	VR12 Power Supply	D
H719	Power Supply	—
783	Power Supply	C
1203185-2	Precision Power Supply (Deltron)	—
1203185-2	Precision Power Supply (Power-Mate)	—

*Used by permission of Deltron Inc., Philadelphia, Pennsylvania

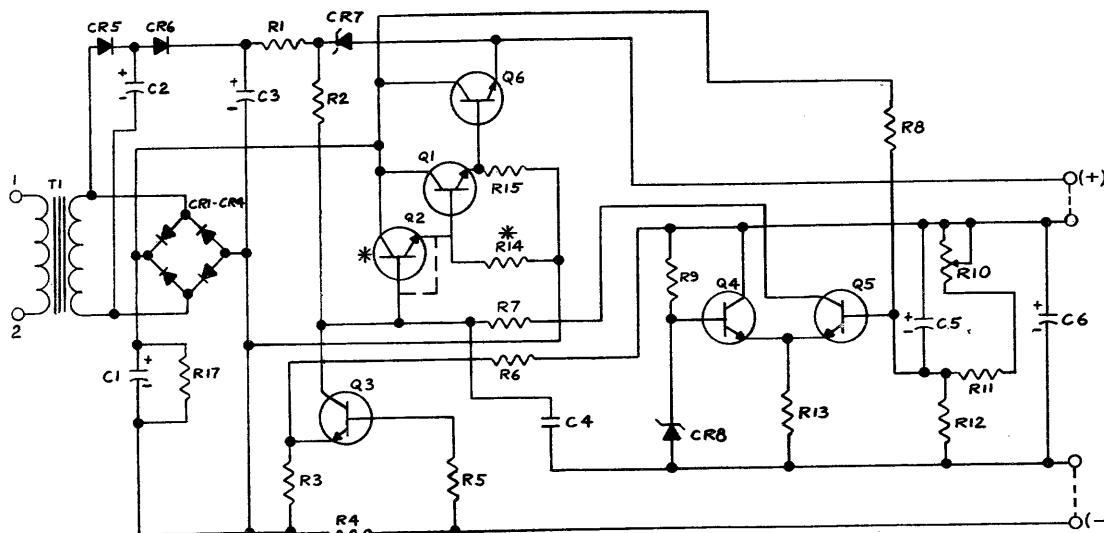
†Used by permission of Power-Mate Corp., Hackensack, New Jersey

REVISIONS

APPD

these drawings are the property of power/mate corp., and are issued in strict confidence and shall not be reproduced or copied or used as the basis for the manufacture of apparatus without permission

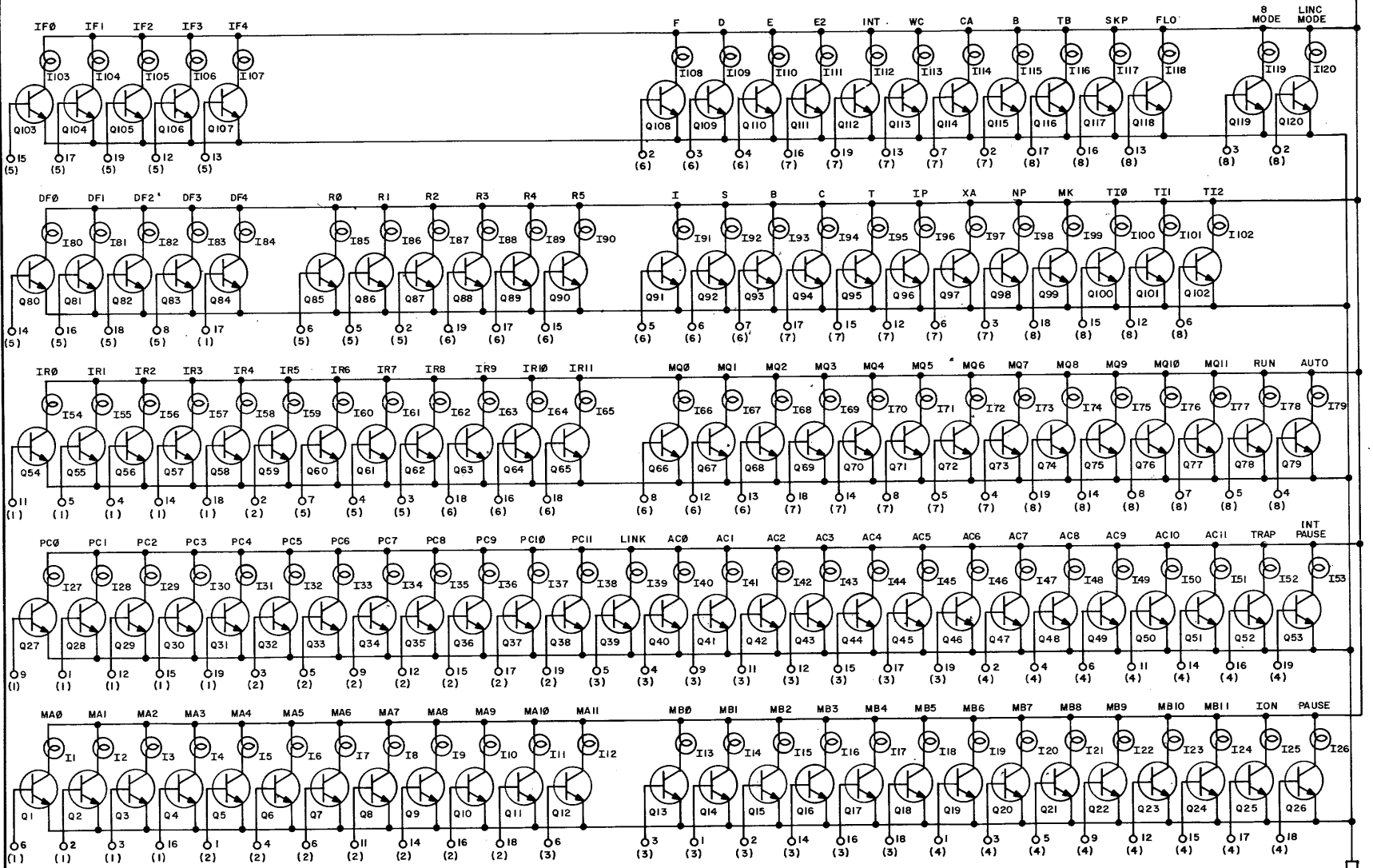
DIGITAL PART NUMBER
12-03185-02 REV F



* NOTE : JUMPER USED ONLY WHEN Q2 AND R14 ARE NOT USED. SEE PARTS LIST

DRAWN BY		POWER/MATE CORP. HACKENSACK, NEW JERSEY	
APPD BY		SCHEMATIC DIAGRAM MODULE POWER SUPPLY	
CODE IDENT NO 23934		20885-8	
USED ON		SHEET	
SCALE		OF	
A			
12-12-69			

THIS SCHEMATIC IS FURNISHED ONLY FOR TEST AND MAINTENANCE PURPOSES. THE CIRCUITS ARE PROPRIETARY IN NATURE AND SHOULD BE TREATED ACCORDINGLY. COPYRIGHT 1969 BY DIGITAL EQUIPMENT CORPORATION



UNLESS OTHERWISE INDICATED:
 LAMPS ARE 2313 DEC #1205550
 TRANSISTORS ARE DEC2 #1505650
 NUMBERS IN PARENTHESIS () DESIGNATE FLEXPRINT CONNECTOR NO.

REVISIONS	CHK	CHK NO.	REV.

DRN.	DATE
<i>M. Keller</i>	3-25-69
CHK'D	DATE
<i>H. M. ...</i>	3/2/69
ENG.	DATE
<i>S. Hall</i>	<i>3/2/69</i>
PROD.	DATE

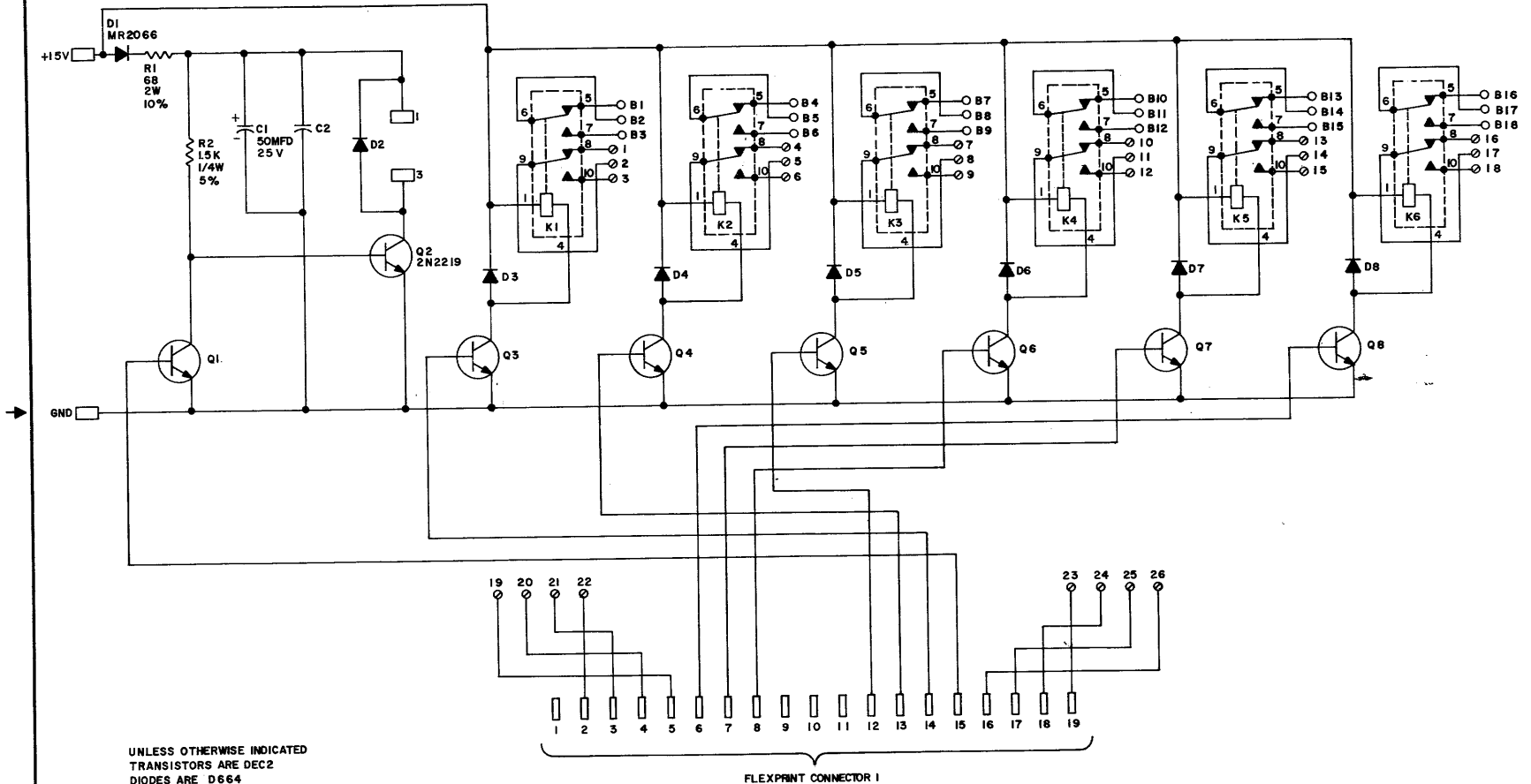
TRANSISTOR & DIODE CONVERSION CHART			
DEC	EIA	DEC	EIA
DEC2	2N3009		

digital
 EQUIPMENT CORPORATION
 MAYNARD, MASSACHUSETTS

TITLE	PDP 12 INDICATOR PANEL 5408114		
SIZE	CODE	NUMBER	REV.
C	CS	5408114-0-1	
PRINTED CIRCUIT REV.			B

REV. NUMBER. DATE CODE C CS 5408114-0-1

THIS SCHEMATIC IS FURNISHED ONLY FOR TEST AND MAINTENANCE PURPOSES. THE CIRCUITS ARE PROPRIETARY IN NATURE AND SHOULD BE TREATED ACCORDINGLY. COPYRIGHT 1969 BY DIGITAL EQUIPMENT CORPORATION



UNLESS OTHERWISE INDICATED
 TRANSISTORS ARE DEC2
 DIODES ARE D664
 □ DENOTES TAB, AMP 41290
 ⊙ ARE SPLIT LUGS

REVISIONS	CHK	ENG	NO	REV

DEC FORM NO. DRC 102

DRN		DATE		TRANSISTOR & DIODE CONVERSION CHART			
CHK'D	<i>[Signature]</i>	DATE	5-2-69	DEC	EIA	DEC	EIA
ENG	<i>[Signature]</i>	DATE	4-3-69	MR2066	1N4003		
PROD.	<i>[Signature]</i>	DATE	5-2-69	D664	1N3606		
				2N2219	SAME		
				DEC2	2N3009		

digital
 EQUIPMENT CORPORATION
 MAYNARD, MASSACHUSETTS

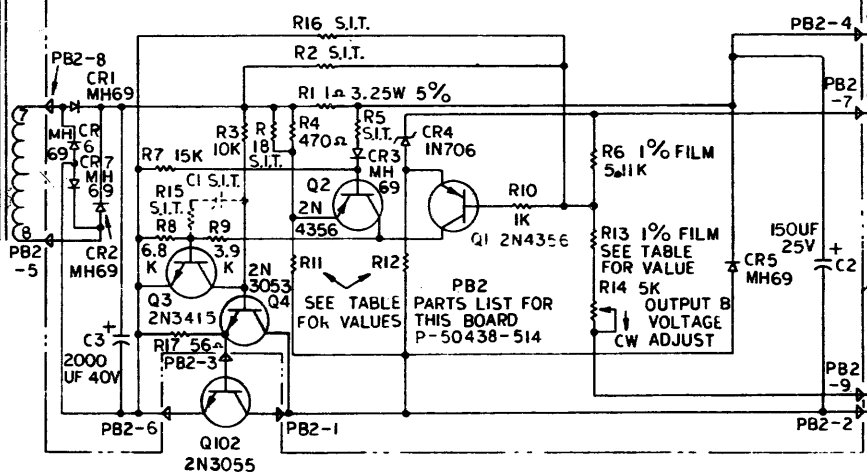
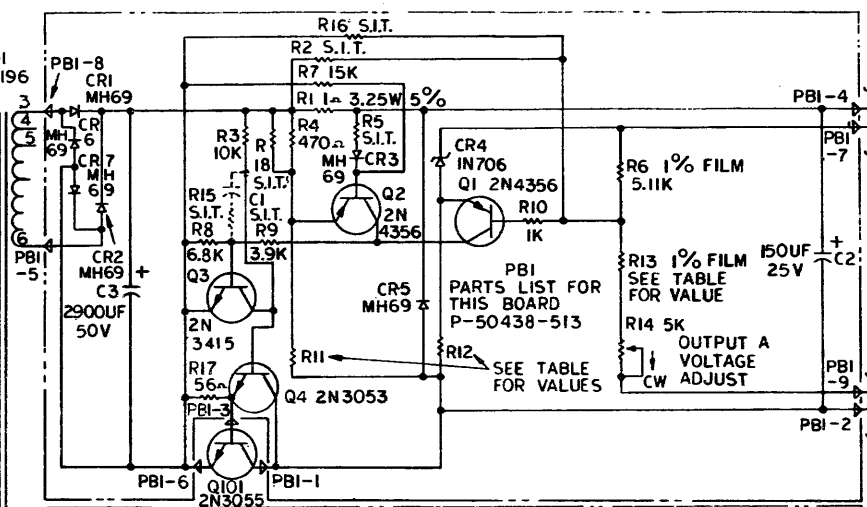
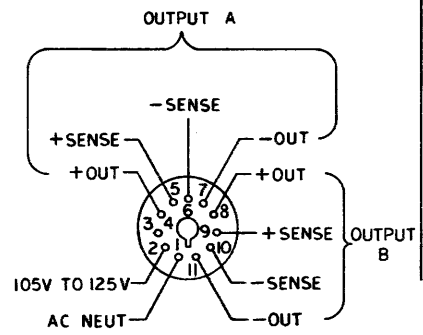
TITLE		RELAY BOARD	
		5408124	
SIZE	CODE	NUMBER	REV.
C	CS	5408124-0-1	
PRINTED CIRCUIT REV.			A

REV: NUMBER 5408124-0-1 SIZE CODE C CS

5 DIST: 324,434,435 PINK

REVISIONS	
AP. BY	0
AP. MFG.	
ECN 69-169	1
M/LASK, 2/6/69	
ECN 69-201	2
R.C. KLINGER, 11-10-69	

NOTE:
 MODEL 6575-1 USES TRANSFORMER TAP T101-5
 MODEL 6575-2 USES TRANSFORMER TAP T101-4
 MODEL 6575-3 USES TRANSFORMER TAP T101-3



MODEL	OUTPUT A	OUTPUT B	DEC SPEC*	NOTES:
6575-1	10V, 1.5A	15V, 1.5A	12-03185-1	
6575-2	15V, 1.5A	15V, 1.5A	12-03185-2	
6575-3	20V, 1.5A	15V, 1.5A	12-03185-3	

1. RESISTOR WATTAGE .5 WATT UNLESS OTHERWISE INDICATED.
2. ALL POTENTIOMETERS ARE WIREWOUND.
3. RESISTORS ABOVE 2 WATTS ARE WIREWOUND.
4. RESISTOR TOLERANCE: COMP. ± 10%; WIREWOUND ± 10%; UNLESS OTHERWISE INDICATED.
5. IF REMOTE SENSING IS NOT USED CONNECT 4 TO 5, 6 TO 7, 8 TO 9, & 10 TO 11.
6. S.I.T. - INDICATES SELECT IN TEST.

MODEL	R11	R12	R13
6575-1	1.5K	2.7K	560Ω
6575-2	2.7K	2.7K	1.2K
6575-3	3.3K	2.7K	2.2K

SCHEMATIC

THESE DIMENSIONS AND SPECIFICATIONS ARE THE PROPERTY OF DELTRON, INCORPORATED, PHILADELPHIA, PA. AND SHALL NOT BE REPRODUCED, OR COPIED, OR USED AS THE BASIS FOR THE MANUFACTURE OR SALE OF APPARATUS OR DEVICES WITHOUT THE WRITTEN APPROVAL OF DELTRON, INCORPORATED, BEING FIRST OBTAINED.

ALL EXTERNAL THREADS TO BE CLASS 2 ORMER STD. ALL INTERNAL THREADS TO BE CLASS 2B UNLESS OTHERWISE SPECIFIED.

DIMENSIONS ON FINISHED DIMENSIONS UNLESS OTHERWISE MARKED	BASIC DIMENSIONS		FRACTIONAL DIMENSIONS		DECIMAL DIMENSIONS	
	UP TO 5	± 1/64	± .005	± .005	± .005	± .005
ANGULAR DIMENSIONS	± 1/2°					

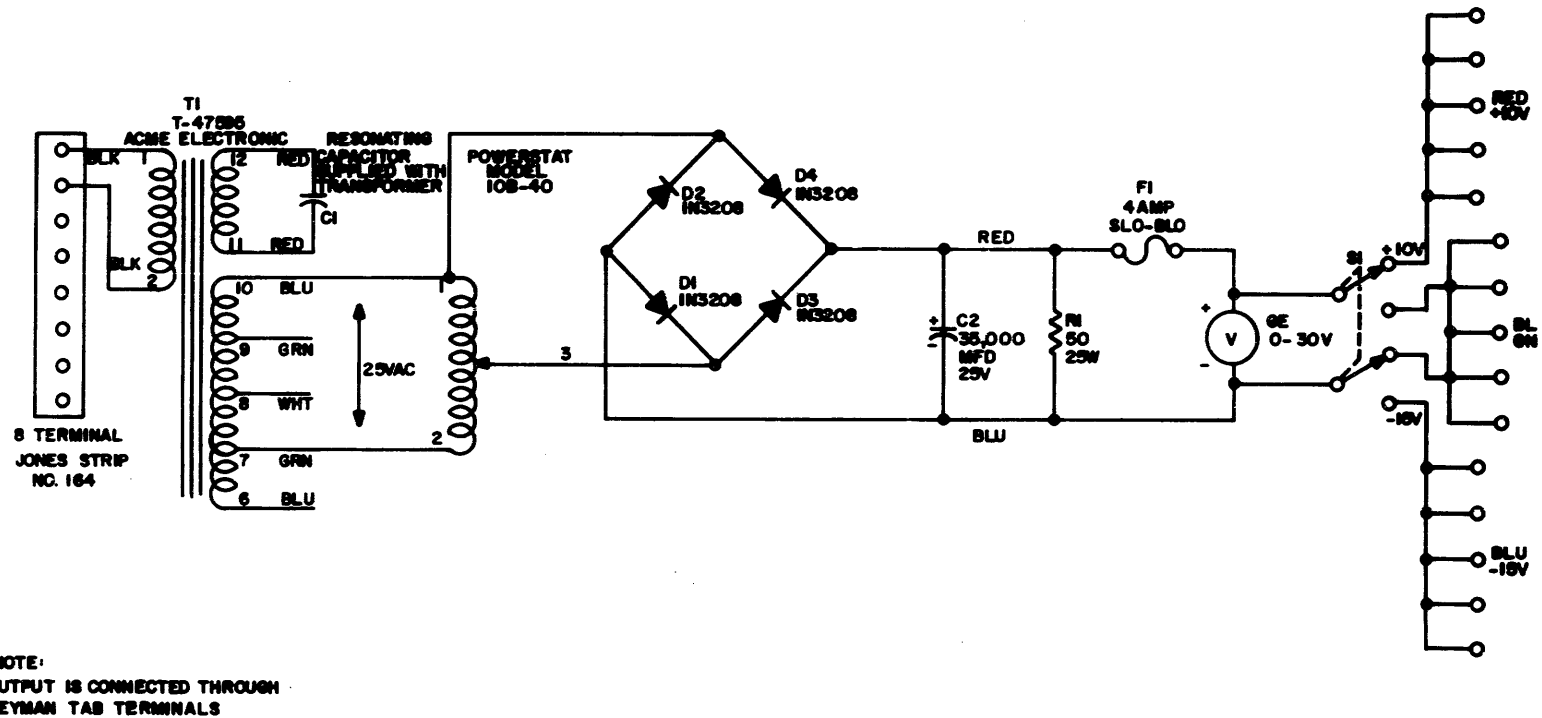
FIRST MADE FOR 6575 USED ON

FINISHED BY M/LASK, 2/6/69 CHECKED BY STEWART, 2/6/69

DELTRON, INC. PHILA. PA. C 13495

C-13495

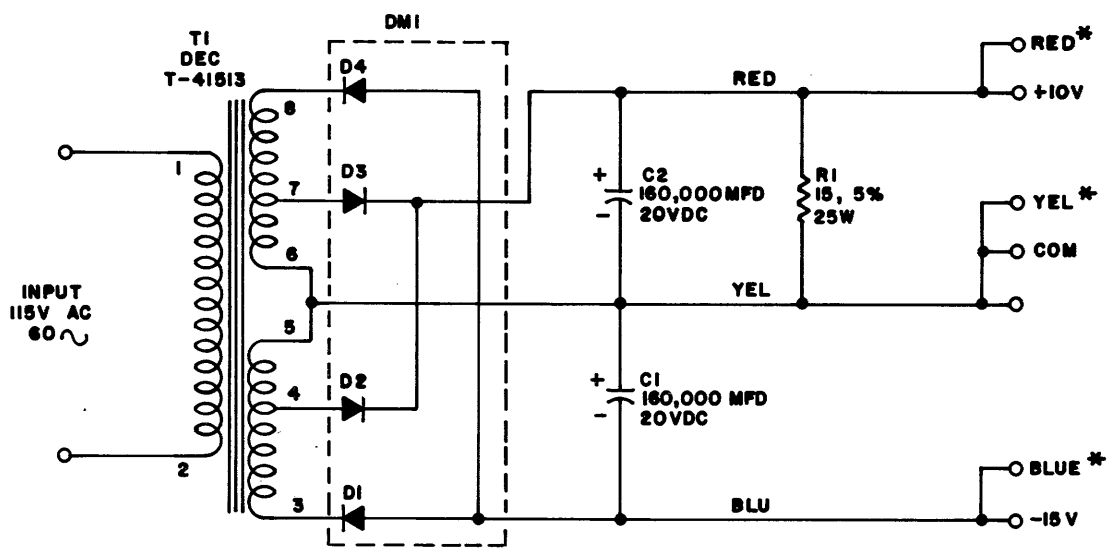
CS-B-734B-2



REVISIONS ECO. NO. ENG.	DRAFTSMAN H. W. PORTER DATE 1-23-64	CHECKER A. MARTIAN DATE 1-23-64	CODE CS	DWG. NO. B-734B	RE 2
	ENGINEER D. A. WHITE DATE 1-24-64	PRODUCTION I DATE	TITLE VARIABLE POWER SUPPLY 734B		

REV. C
 NUMBER 783-0-1
 B CS
 SIZE CODE

THIS SCHEMATIC IS FURNISHED ONLY FOR TEST AND MAINTENANCE PURPOSES. THE CIRCUITS ARE PROPRIETARY IN NATURE AND SHOULD BE TREATED ACCORDINGLY. COPYRIGHT 1963 BY DIGITAL EQUIPMENT CORPORATION



NOTE:
 IN ORDER TO KEEP OUTPUT VOLTAGE WITHIN THE FOLLOWING LIMITS:
 +10V: +9.5 TO +11V
 -15V: -14.5 TO -16V
 THE LOADING SHOULD BE WITHIN THE FOLLOWING LIMITS:

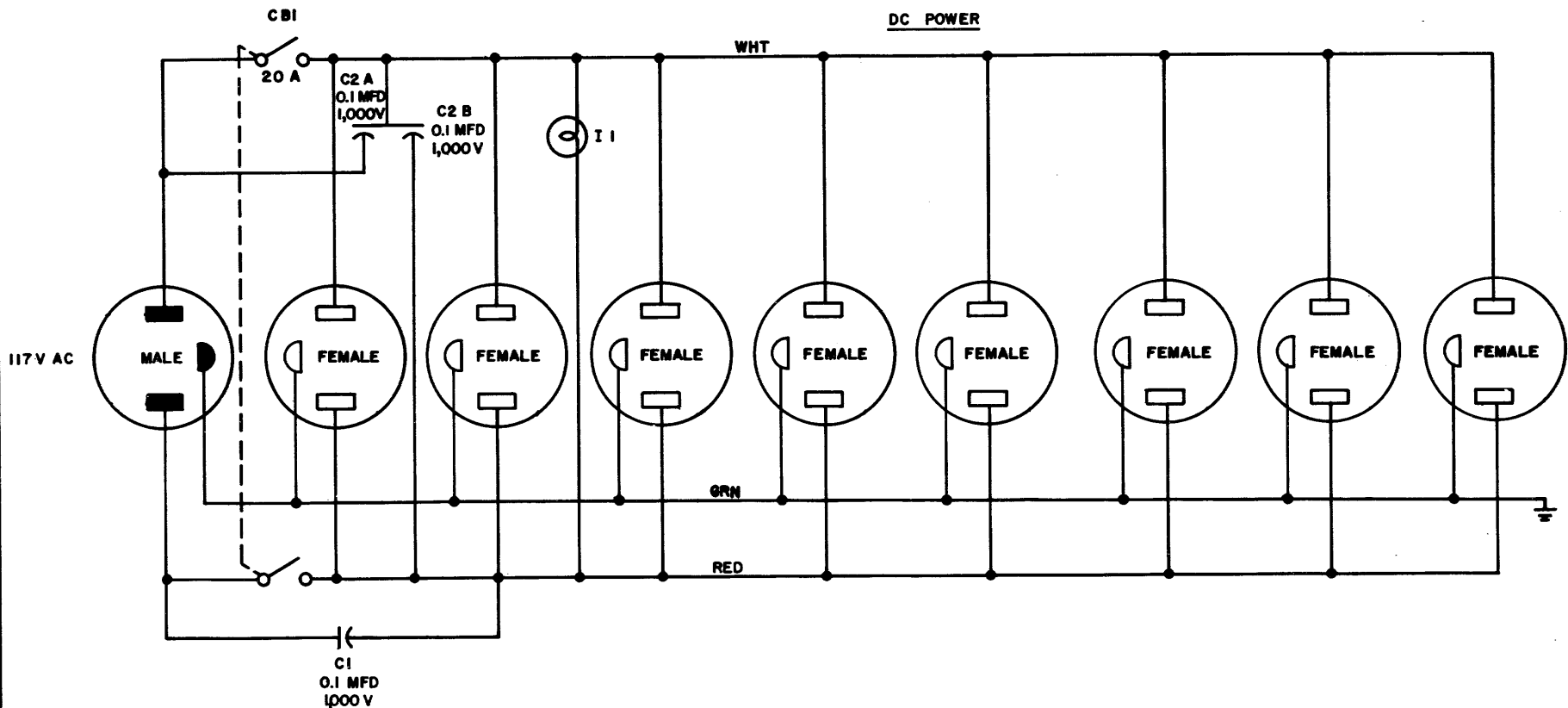
BOTH SIDES LOADED	+10V 0 TO 7.0 AMPS
	-15V 1.0 TO 8.0 AMPS
ONE SIDE LOADED	+10V 0 TO 7.5 AMPS
	-15V 1.0 TO 8.5 AMPS

SUM OF THE OUTPUT CURRENTS ARE LIMITED BY THE EQUATION: $5I_{10} + 6I_{15} \leq 53$

* HEYMAN MFG. CO. TAB TERMINALS

REVISIONS CHK CHG NO. REV DAN 4740 2 REVISED BY R. DOANE 6033 C	DRN. M.W.PORTER	DATE 11-20-63	TRANSISTOR & DIODE CONVERSION CHART				digital EQUIPMENT CORPORATION MAYNARD, MASSACHUSETTS	TITLE POWER SUPPLY 783			
	CHK'D A.VARTANIAN	DATE 11-27-63	DEC	EIA	DEC	EIA		SIZE B	CODE CS	NUMBER 783-0-1	REV. C
	ENG. R.DOANE	DATE 11-27-63						PRINTED CIRCUIT REV.			
	PROD.	DATE									

CS-828-1



NOTE:
 CBI IS A DPST HEINEMANN ELEC. CO. XAM33 CURVE 4
 I1 IS A NEON PILOT LIGHT-NE-2D
 ALL SOCKETS AND PLUG ARE SHOWN IN REAR VIEW

3818-1 1/24/63	CH NO	EXPER	DRAWN
	APP	PRODUCTION	J.S. CARO 2-11-63
		OTHER	CHECKED <i>[Signature]</i>
			ENGINEER <i>[Signature]</i>

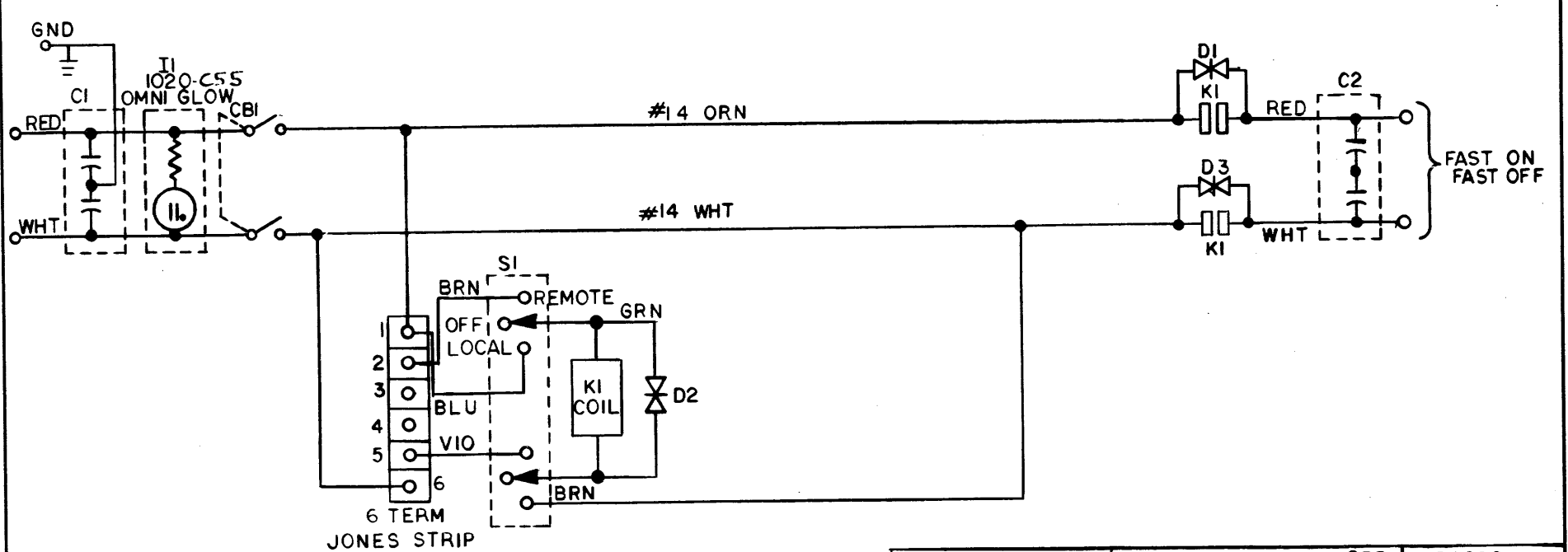
digital EQUIPMENT CORPORATION
 MAYNARD, MASSACHUSETTS

CS-828-1

POWER RECEPTACLE 828

REV. A
 NUMBER B CS 854-0-0

THIS SCHEMATIC IS FURNISHED ONLY FOR TEST AND MAINTENANCE PURPOSES. THE CIRCUITS ARE PROPRIETARY IN NATURE AND SHOULD BE TREATED ACCORDINGLY. COPYRIGHT 1968 BY DIGITAL EQUIPMENT CORPORATION



I1	LIGHT OMNI GLOW 1020 C55	1201280
D1, D2, D3	DIODE THY 6RS20SP4B4	1100106
CBI	CIR BREAKER*190-220-104	1201218
K1	RELAY EM-4, 115V	1205768
SI	TOGGLE SW CH 7563KE	1205964
C1 & C2	CAP. 2X .1MFD 1KVDC	1000034
	PARTS LIST	A-PL-854-0-0
REF DESIGNATION	DESCRIPTION	PART NO

PARTS LIST

REV	CHG	NO	REV
1	1	1	1

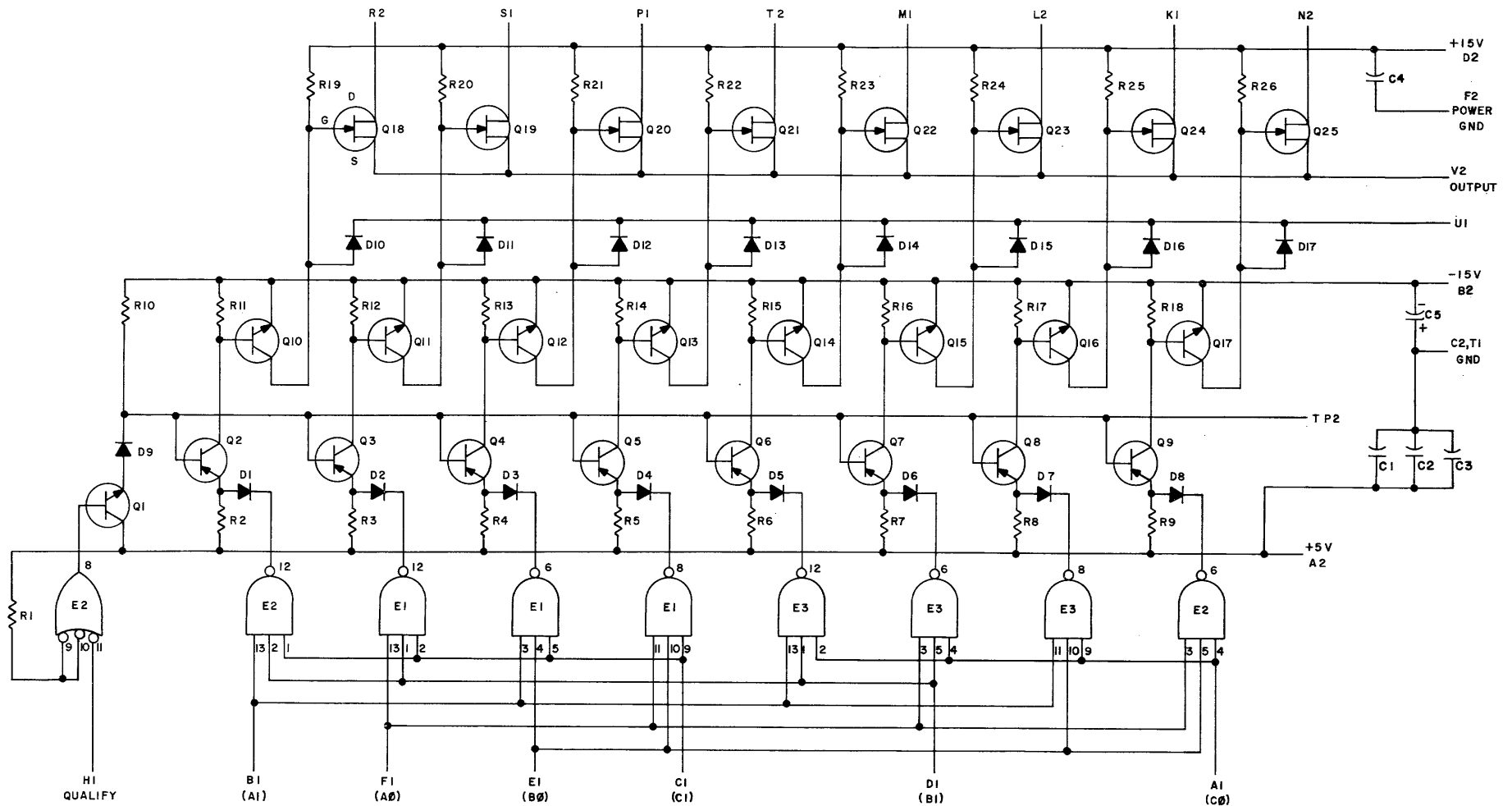
DRN. P. L. Blum	DATE 10-21-68
ENG. G. W. GERELODS	DATE 11/15/68
PROD. G. W. GERELODS	DATE 11/15/68

TRANSISTOR & DIODE CONVERSION CHART			
DEC	EIA	DEC	EIA

digital
 EQUIPMENT CORPORATION
 MAYNARD, MASSACHUSETTS

TITLE POWER CONTROL			
854			
SIZE B	CODE CS	NUMBER 854-0-1	REV. A
PRINTED CIRCUIT REV.			

THIS SCHEMATIC IS FURNISHED ONLY FOR TEST AND MAINTENANCE PURPOSES. THE CIRCUITS ARE PROPRIETARY IN NATURE AND SHOULD BE TREATED ACCORDINGLY. COPYRIGHT 1969 BY DIGITAL EQUIPMENT CORPORATION



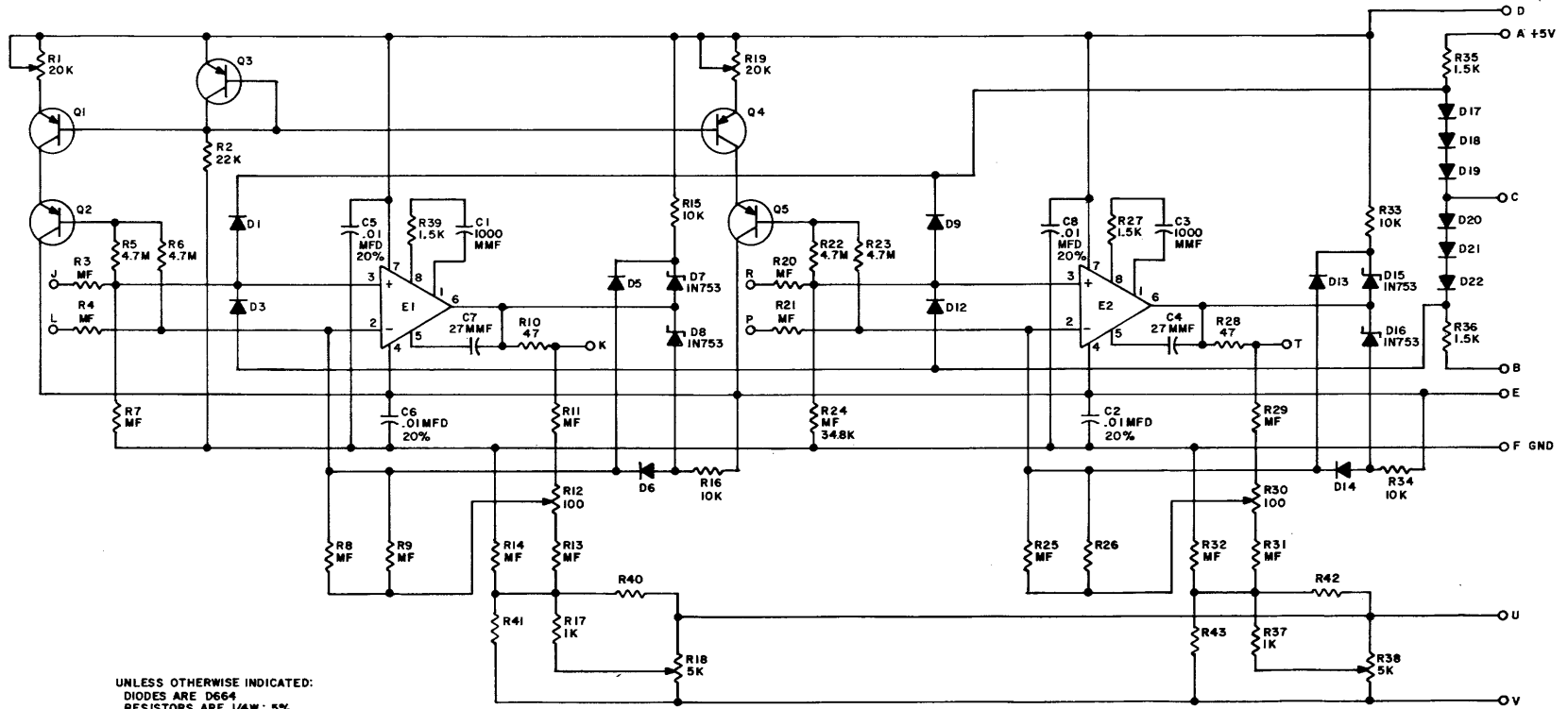
NOTE:
PIN 7 ON EACH IC = GND
PIN 14 ON EACH IC = +5V

E1,E2,E3	INTEGRATED CKT DEC7410N	1905576
Q18-Q25	TRANSISTOR 2N5245 OR TIS 88	1509681
Q2-Q9	TRANSISTOR DEC6534B	1503409-01
Q1, Q10 - Q17	TRANSISTOR DEC3009B-S	1503100
R19-R26	RES 10K 1/4W 5% CC	1300479
R11-R18	RES 3.3K 1/4W 5% CC	1300439
R2-R10	RES 1.5K 1/4W 5% CC	1300391
R1	RES 33K 1/4W 10%	1300510
D1-D17	DIODE D664	1100114
C1-C4	CAP .01 MFD 100V 20% DISC	1001610
C5	CAP 6.8 MFD 35V 20% STANT	1000067
PARTS LIST		A-PL-A131-0-0
REFERENCE DESIGNATION	DESCRIPTION	PART NO

REVISIONS	DRN	DATE	TRANSISTOR & DIODE CONVERSION CHART		TITLE MULTIPLEX A131
CHK CHG NO. REV	CHKD	DATE	DEC	EIA	
00001 B		2-10-69	D664	1N3606	EQUIPMENT CORPORATION MAYNARD, MASSACHUSETTS
00002 C		3-10-69	DEC3009B	2N3009	
	ENG.	DATE	DEC6534B	MPS6534	SIZE CODE NUMBER C CS A131-0-1
	PROD	DATE	2N5245	NONE	PRINTED CIRCUIT REV. B

REV: C
SIZE CODE NUMBER
G CS A131-0-1

THIS SCHEMATIC IS FURNISHED ONLY FOR TEST AND MAINTENANCE PURPOSES. THE CIRCUITS ARE PROPRIETARY IN NATURE AND SHOULD BE TREATED ACCORDINGLY. COPYRIGHT 1969 BY DIGITAL EQUIPMENT CORPORATION



UNLESS OTHERWISE INDICATED:
 DIODES ARE D664
 RESISTORS ARE 1/4W; 5%
 MF RESISTORS ARE 1/8W; 1%; 100MFD
 TRANSISTORS ARE 2N4250
 R1, R19 ARE ALLEN BRADLEY ZV-2032
 POTS ARE 76PR SERIES
 E1, E2 ARE MC1709
 CAPACITORS ARE 100V, 5%

INPUT VOLTAGE RANGE	VARIATION	R41	R3	R4	R7	R8	R9	R11	R13	R14	R40
0 → +5	A214-YF	1.2K	68.1K	68.1K	21.5K	21.5K	1M (CC)	2.74K	422	51.1	NONE
0 → +10	A214-YE	1.2K	68.1K	68.1K	12.1K	12.1K	274K	2.61K	422	75	NONE
0 → -2	A214-YD	NONE	34.8K	34.8K	34.8K	34.8K	4.7M	1.96K	348	90.9	1.2K
±10	A214-YC	NONE	64K	64K	5.48K	3.48K	39K	2.61K	261	38.3	NONE
±5	A214-YB	NONE	68.1K	68.1K	12.1K	12.1K	365K	2.61K	422	90.9	NONE
0 → +2	A214-YA	1.2K	34.8K	34.8K	34.8K	34.8K	4.7M	1.96K	348	90.9	NONE
±1	A214	NONE	34.8K	34.8K	34.8K	34.8K	4.7M	1.96K	422	38.3	NONE

REV.	CHG	NO.	REV.
1	00001	A	
2	00002	B	

DATE	BY	CHKD.	DATE
2-28-69	W. Walker		
3-5-69			
4-13-69			

TRANSISTOR & DIODE CONVERSION CHART			
DATE	DEC	EIA	EIA
D664		IN3606	
IN753		SAME	
2N4250		NONE	

digital
 EQUIPMENT CORPORATION
 MAYNARD, MASSACHUSETTS

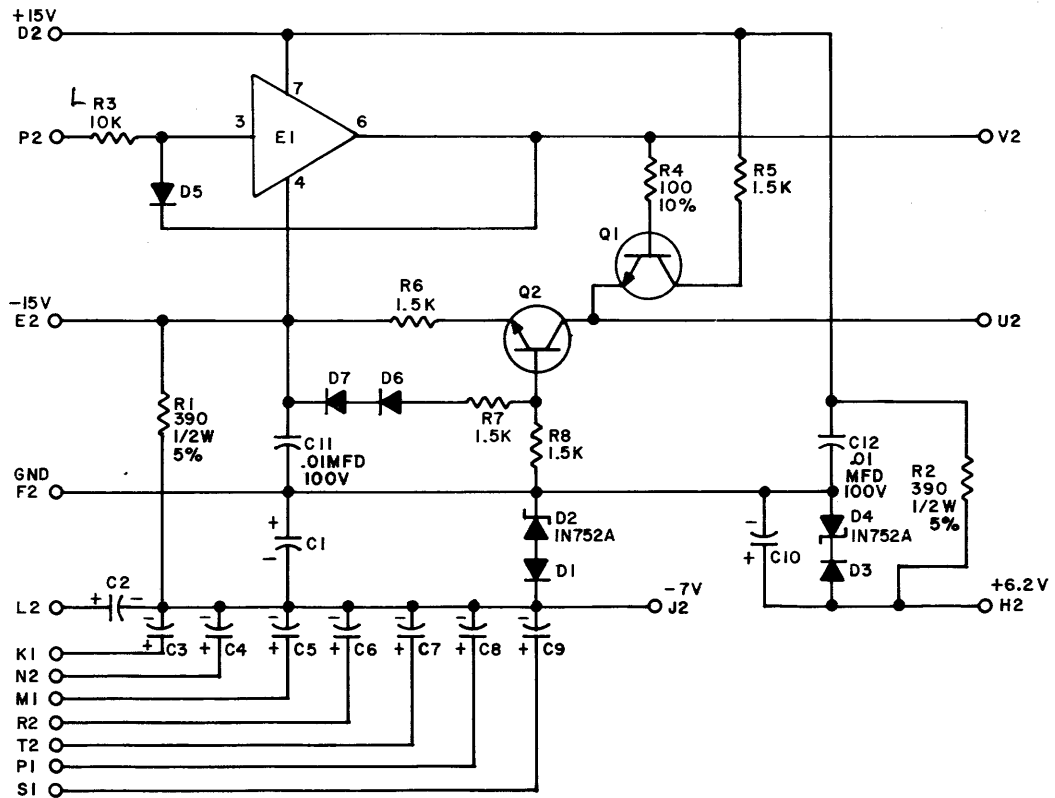
TITLE			
2 ANALOG AMPLIFIERS A214			
SIZE	CODE	NUMBER	REV.
C	CS	A214-0-1	B
PRINTED CIRCUIT REV.			
B			

REV. B
 NUMBER
 C 1 CS A214-0-1

↓

REV. A	NUMBER	CS	B	SIZE
	A215-0-1			

THIS SCHEMATIC IS FURNISHED ONLY FOR TEST AND MAINTENANCE PURPOSES. THE CIRCUITS ARE PROPRIETARY IN NATURE AND SHOULD BE TREATED ACCORDINGLY. COPYRIGHT 1969 BY DIGITAL EQUIPMENT CORPORATION



UNLESS OTHERWISE INDICATED:
 CAPACITORS ARE 1MFD; 35V; 10%
 DIODES ARE D664
 RESISTORS ARE 1/4W; 5%
 TRANSISTORS ARE DEC2219
 E1 IS LM302

REVISIONS	CHK	CHG	NO.	REV.
			00001	A

DRN.	DATE
<i>M. Waller</i>	3-7-69
CHKD.	DATE
<i>M. Waller</i>	3-9-69
ENG.	DATE
<i>R. Scrimshaw</i>	4/8/69
PROD.	DATE

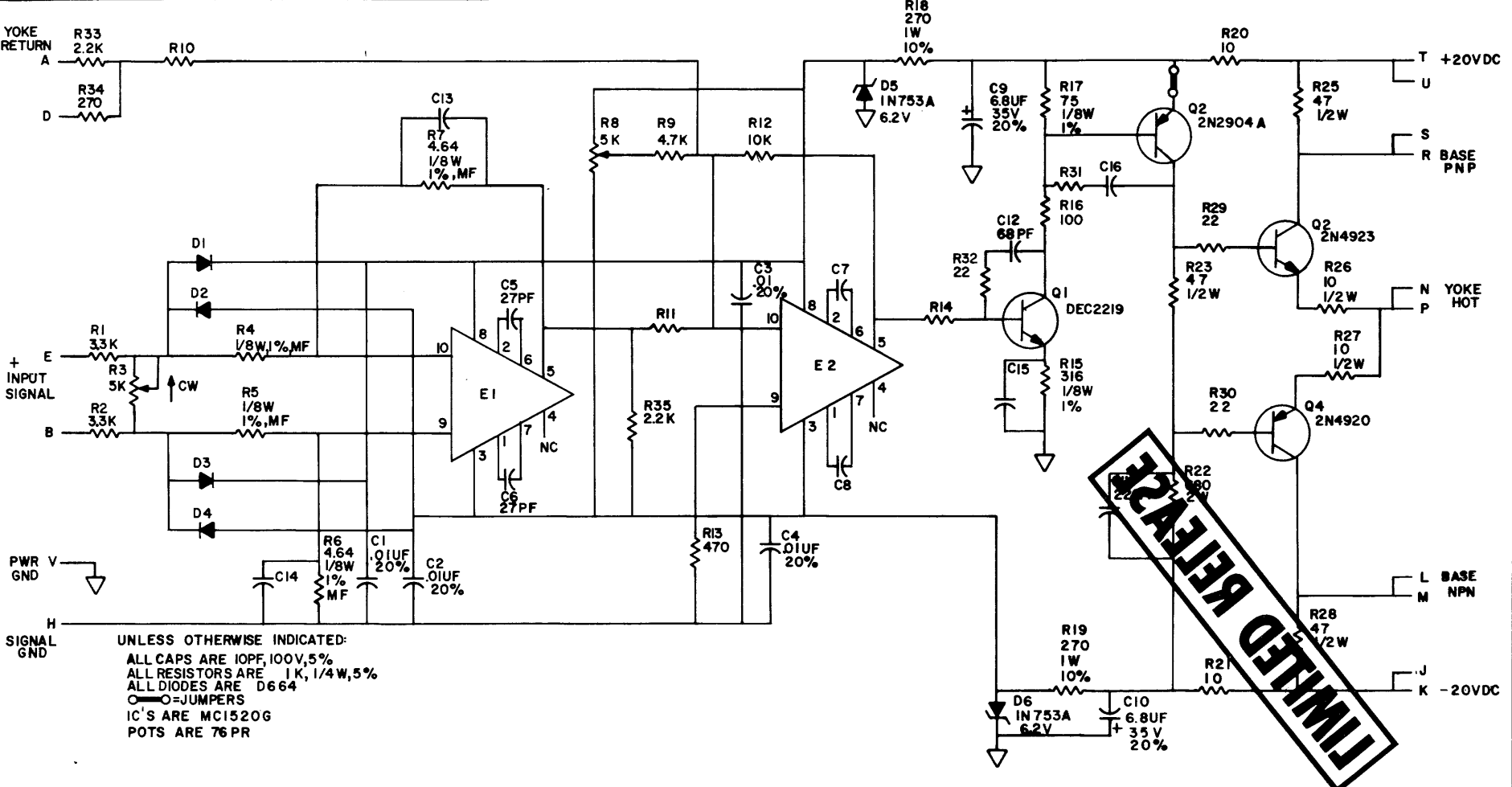
TRANSISTOR & DIODE CONVERSION CHART			
DEC	EIA	DEC	EIA
D664	1N3606		
DEC2219	2N2219		

digital
 EQUIPMENT CORPORATION
 MAYNARD, MASSACHUSETTS

TITLE			
ANALOG BUFFER A215			
SIZE	CODE	NUMBER	REV.
B	CS	A215-0-1	A
PRINTED CIRCUIT REV.			
A			

REV. A
 NUMBER A225-0-1
 CS B
 SIZE 8

THIS SCHEMATIC IS FURNISHED ONLY FOR TEST AND MAINTENANCE PURPOSES. THE CIRCUITS ARE PROPRIETARY IN NATURE AND SHOULD BE TREATED ACCORDINGLY. COPYRIGHT 1970 BY DIGITAL EQUIPMENT CORPORATION



UNLESS OTHERWISE INDICATED:
 ALL CAPS ARE 10PF, 100V, 5%
 ALL RESISTORS ARE 1K, 1/4W, 5%
 ALL DIODES ARE D664
 ○=JUMPERS
 IC'S ARE MC1520G
 POTS ARE 76PR

REVISIONS	CHK	CHG	NO.	REV.

DRN	DATE
<i>S. S. ...</i>	6/21/69
CHKD	DATE
<i>S. S. ...</i>	12/7/70
ENG	DATE
<i>B. ...</i>	12-8-70
PROD.	DATE

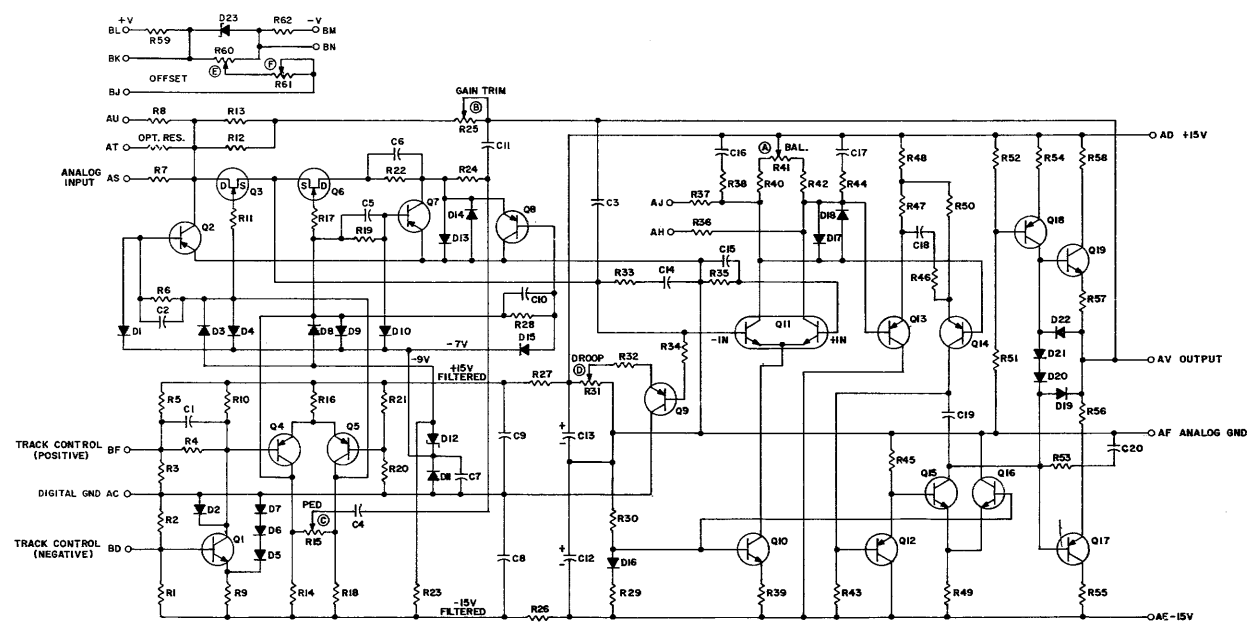
TRANSISTOR & DIODE CONVERSION CHART			
DEC	EIA	DEC	EIA
DEC2219	2N2219		
2N4920	SAME		
D664	1N3606		
IN753	SAME		

digital
 EQUIPMENT CORPORATION
 MAYNARD, MASSACHUSETTS

TITLE DEFLECTION AMPLIFIER A225			
SIZE B	CODE CS	NUMBER A225-0-1	REV A
PRINTED CIRCUIT REV. B			

Pink Blue

THIS SCHEMATIC IS FURNISHED ONLY FOR TEST AND MAINTENANCE PURPOSES. THE CIRCUITS ARE PROTECTED BY PATENT AND SHOULD BE TREATED ACCORDINGLY. COPYRIGHT 1988 BY DIGITAL EQUIPMENT CORPORATION.



R59, R62	RES. 619 1/8W 1% 100MFP	1305126
R61	RES. 1K TRIMPOT	1305450
D23	DIODE IN3156	1100137
Q12, Q13, Q14	TRANSISTOR 2N4250	1303442
Q11	TRANSISTOR 5D4-S	1301857
Q10, Q15, Q16, Q19	TRANSISTOR DEC2219-S	1301861
Q9, Q17, Q18	TRANSISTOR DEC654D	1303409
Q3, Q6	TRANSISTOR 2N5163 FET	1303233
Q2, Q4, Q5, Q7, Q8	TRANSISTOR DEC6534C	1303409-02
Q1	TRANSISTOR DEC3009B	1303100
R55, R58	RES. 68 1/2W 10% CC	1300220
R51	RES. 12K 1/4W 5% CC	1300488
R48	RES. 5.62 1/8W 1% 100MFP	1305128
R47, R50	RES. 562 1/8W 1% 100MFP	1304693
R46	RES. 470 1/4W 5% CC	1300316
R43	RES. 12 1/8W 1% 100MFP	1303313
R41	RES. 50K BOURNS TRIMPOT	1305455
R40, R42	RES. 68 1/8W 1% 100MFP	1305282
R39	RES. 34.8K 1/8W 1% 100MFP	1303156
R38, R44	RES. 2K 1/4W 5% CC	1302388
R34	RES. 820K 1/4W 10% CC	1303187
R35, R52	RES. 2.4K 1/4W 5% CC	1305177
R32	RES. 100K 1/4W 5% CC	1302466
R29	RES. 1.62K 1/8W 1% 100MFP	1304882
R26, R27, R56, R57	RES. 18 1/4W 5% CC	1302124
R23	RES. 200 TRIMPOT	1305634
R24, R53	RES. 56 1/4W 5% CC	1302602
R23, R49	RES. 560 1/4W 5% CC	1301890
R21, R30	RES. 10K 1/8W 1% 100MFP	1303312
R20	RES. 1K 1/8W 1% 100MFP	1303114
R16	RES. 1.2K 1/2W 5% CC	1300285
R15, R51, R60	RES. 20K TRIMPOT	1305395
R18, R19	RES. 2.2K 1/4W 5% CC	1300417
R12	RES. 1.024M 1/2W 1% 25MFP	1305519
R8	RES. 5.1K 1/8W 1% 25MFP	1305432
R7, R13	RES. 10K 1/8W 1% 25MFP	1305431
R6, R11, R17	RES. 10K 1/4W 5% CC	1300479
R4, R54	RES. 1K 1/4W 5% CC	1300365
R2, R3, R5, R22, R35, R36, R37, R45	RES. 5.6K 1/4W 5% CC	1301814
R1, R5, R10, R19, R28	RES. 20K 1/4W 5% CC	1302391
D12	DIODE D662	1100113
D12	DIODE 1N756A 8.2V	1103441
D1 - D11, D13 - D15, D17 - D19, D22	DIODE D664	1100114
C18	CAP. 10MMF 100V 5% D.M	1000006
C15, C17	CAP. 100MMF 100V 5% D.M	1000016
C12, C19	CAP. 5.8MMF 35V 20% S.TANT	1000067
C11	CAP. 5000MMF 100V 5%	1005819
C7, C8, C9, C15	CAP. 0.1MMF 100V 20% DISC	1001610
C4, C5, C19	CAP. 18MMF 100V 5% D.M	1002608
C3, C20	CAP. 27MMF 100V 5% D.M	1001739
C1, C2, C5, C10, C14	CAP. 47MMF 100V 5% D.M	1000011

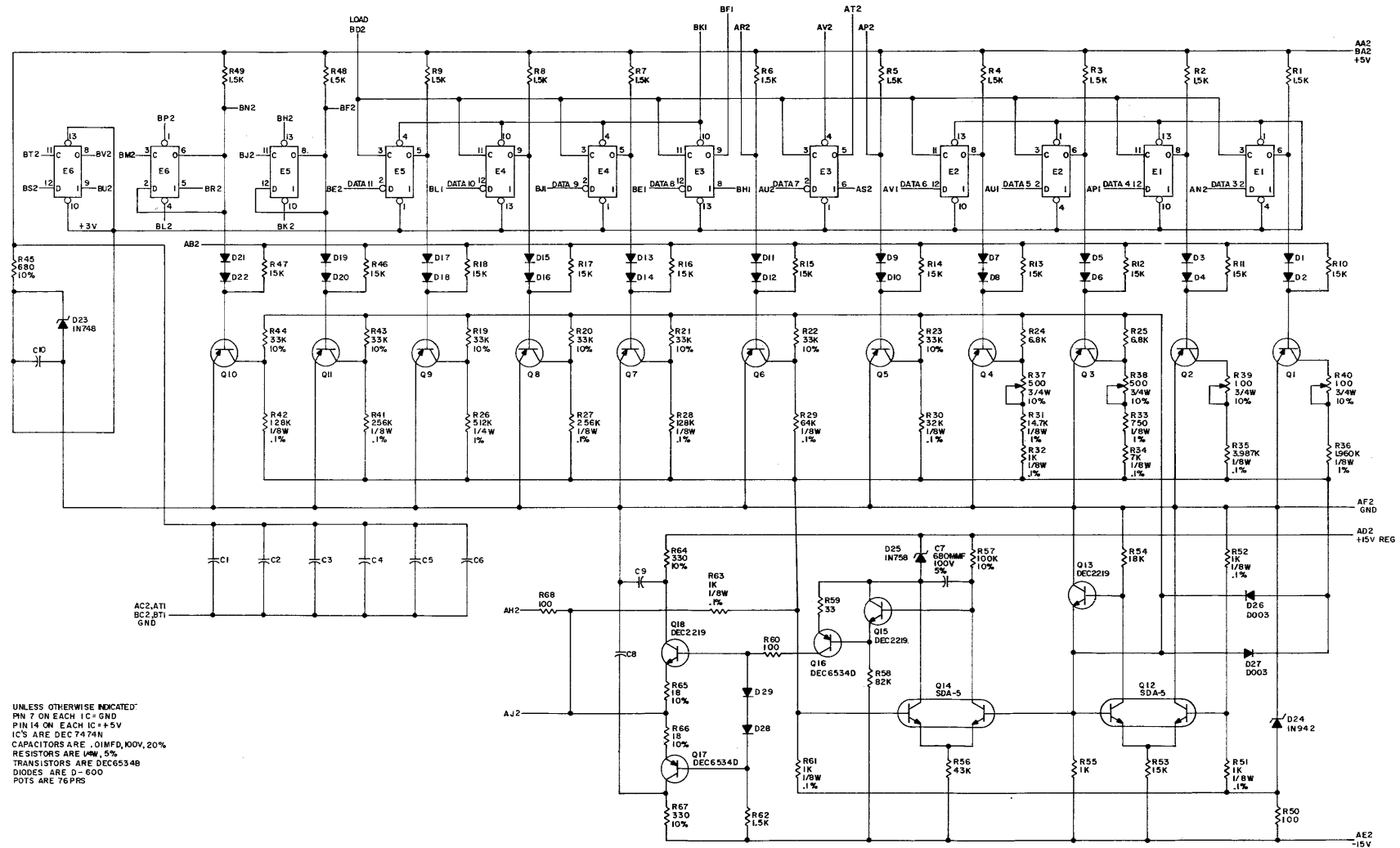
REVISIONS	DATE	BY	DESCRIPTION
1	09/28/88	JL	INITIAL DESIGN
2	10/15/88	JL	REVISED FOR MANUFACTURE

DATE	DESIGNED BY	CHECKED BY	DATE	DESIGNED BY	CHECKED BY
09/28/88	JL	JL	10/15/88	JL	JL

REV	DATE	DESCRIPTION
1	09/28/88	INITIAL DESIGN
2	10/15/88	REVISED FOR MANUFACTURE

1-0-5194 CS 10001 2711

THIS SCHEMATIC IS FURNISHED ONLY FOR TEST AND MAINTENANCE PURPOSES. THE CIRCUITS ARE PROPRIETARY IN NATURE AND SHOULD BE TREATED ACCORDINGLY. COPYRIGHT 1969 BY DIGITAL EQUIPMENT CORPORATION.

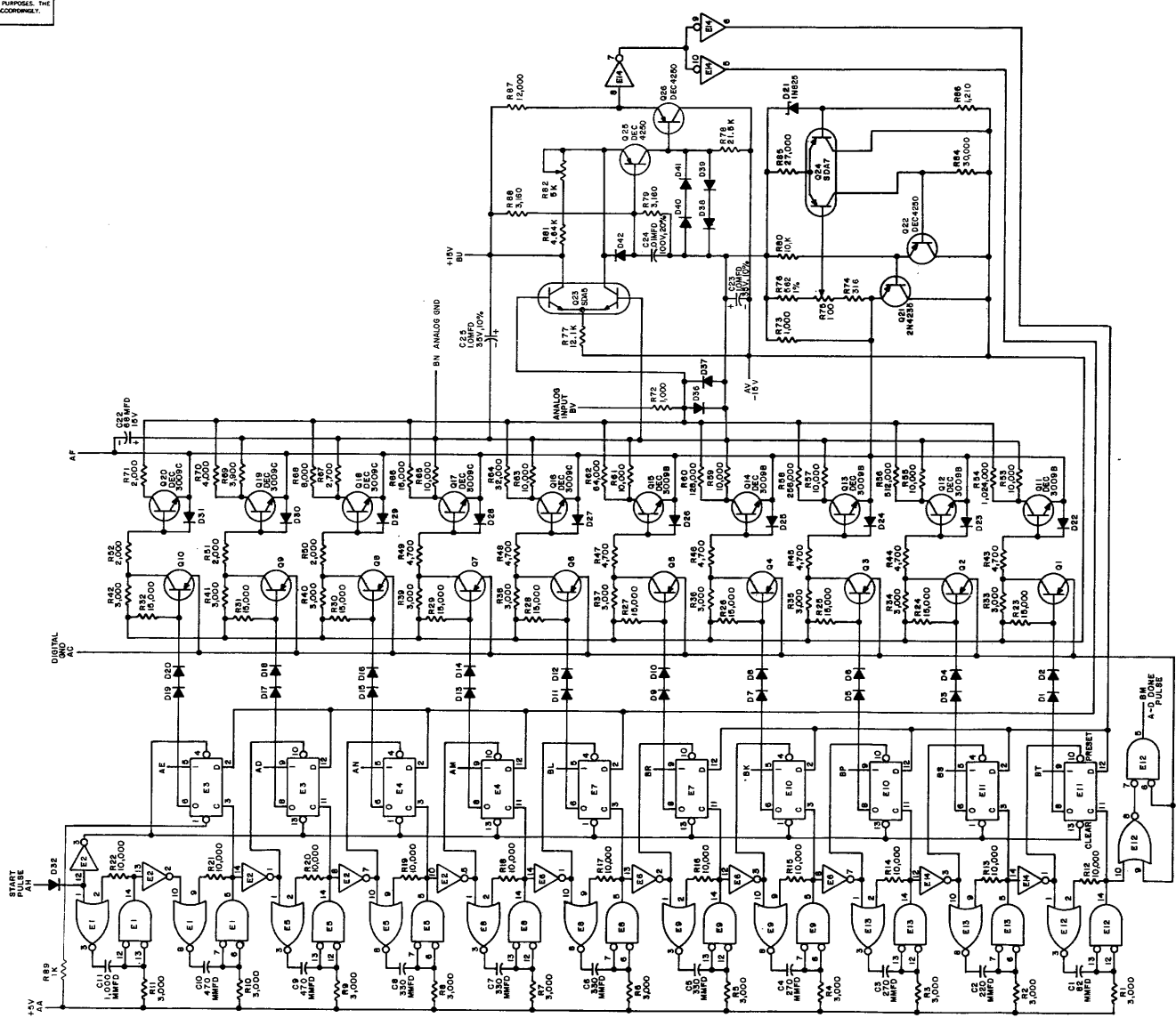


UNLESS OTHERWISE INDICATED
 PIN 7 ON EACH IC = GND
 PIN 14 ON EACH IC = +5V
 IC'S ARE DEC 7474N
 CAPACITORS ARE .01MFD, 100V, 20%
 RESISTORS ARE 1/4W, 5%
 TRANSISTORS ARE DEC 6534B
 DIODES ARE D-500
 POTS ARE 76PRS

REVISION		DATE		TRANSISTOR & DIODE CONVERSION CHART				TITLE	
NO.	DESCRIPTION	BY	DATE	SYM	PN	SYM	DN	NO.	REV
1								digital	
EQUIPMENT CORPORATION 300 MASSACHUSETTS AVENUE CAMBRIDGE, MASSACHUSETTS 02142								DIGITAL TO ANALOG CONVERTER A615	

THIS SCHEMATIC IS FURNISHED ONLY FOR TEST AND MAINTENANCE PURPOSES. THE CIRCUITS ARE PROPRIETARY IN NATURE AND SHOULD BE TREATED ACCORDINGLY. COPYRIGHT 1966 BY DIGITAL EQUIPMENT CORPORATION.

DIGITAL EQUIPMENT CORPORATION
 MODEL 12
 PART # 101-101-0-1



USE THE ETCH BOARD OF THE A801

REVISIONS:

REV	DATE	DESCRIPTION
1	10/20/66	INITIAL DESIGN
2	11/15/66	REVISED FOR ETCHING
3	12/15/66	REVISED FOR TESTING
4	1/15/67	REVISED FOR PRODUCTION

TRANSISTOR & DIODE CONVERSION CHART

DESIGNATION	MANUFACTURER	PART NUMBER	REMARKS
Q1-Q10	2N	2N3008	2N3008
Q11-Q15	2N	2N3009	2N3009
Q16-Q20	2N	2N3010	2N3010
Q21-Q25	2N	2N3011	2N3011
D1-D18	1N	1N914	1N914
R1-R88	RES	VARIOUS	VARIOUS
C1-C10	CAP	VARIOUS	VARIOUS

DIGITAL EQUIPMENT CORPORATION

DATE	11/15/66	DESIGNED BY	W. J. ...
DATE	11/15/66	CHECKED BY	...
DATE	11/15/66	APPROVED BY	...
DATE	11/15/66	TESTED BY	...

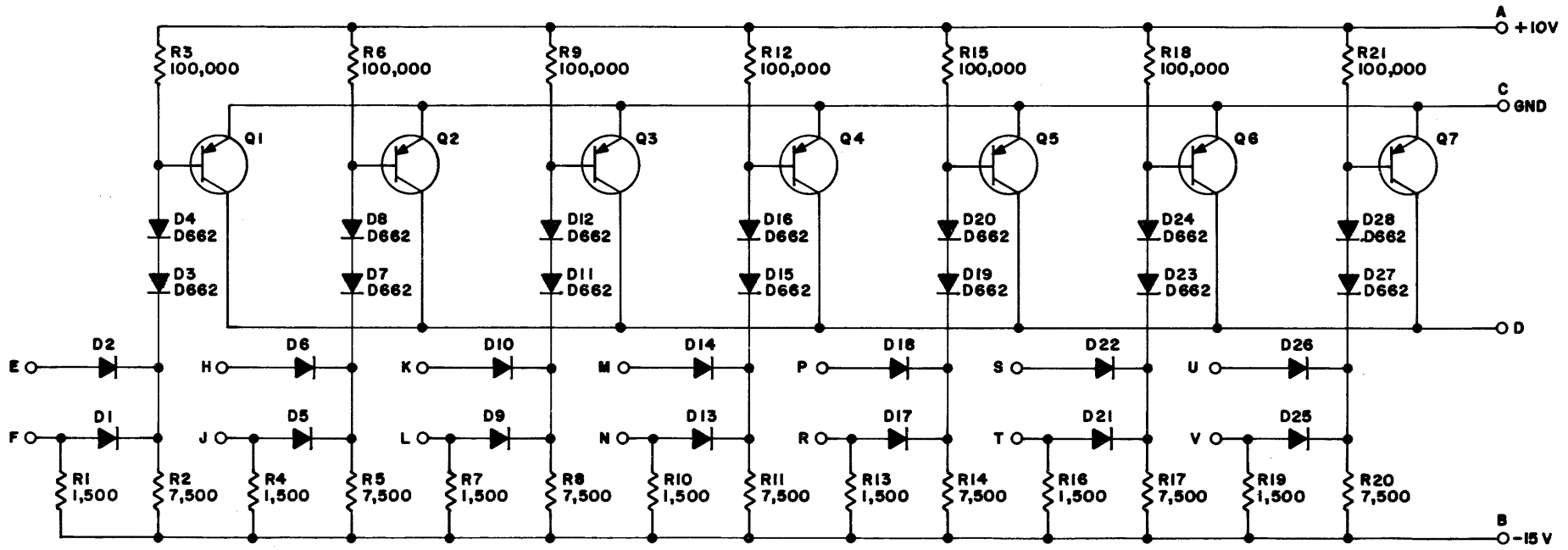
PRINTED CIRCUIT REV. 1

UNLESS OTHERWISE INDICATED:
 TRANSISTORS ARE DEC-28
 DIODES ARE UNIS. 5%
 PIN 7 = GND ON E3, E4, E7, E10 & E11
 PIN 8 = +5V ON E3, E4, E7, E10 & E11
 PIN 1 = +15V ON E1, E2, E5, E6, E8, E9, E12 & E14
 E1, E2, E5, E6, E8, E9, E12 & E14 ARE DEC-28
 E3, E4, E7, E10 & E11 ARE DEC-28
 R85, R86, R70, R71, R72 ARE VISHAY M.F. .01% SPPM
 R80, R81, R82, R84 ARE AM/PM .50PPM/PM
 R74, R77, R78, R79, R81, R80, R86 ARE M.F./RW .001PPM/PM
 R84 IS 1/2 W. M.F. 25PPM/PM
 R76 IS A MELTRIM TRIMPOT TYPE 65PR DEC PART # 150920-04
 PARTS LIST IS A-PL-AB11-0-0

DIGITAL EQUIPMENT CORPORATION

REV. NUMBER B142-0-1

THIS SCHEMATIC IS FURNISHED ONLY FOR TEST AND MAINTENANCE PURPOSES. THE CIRCUITS ARE PROPRIETARY IN NATURE AND SHOULD BE TREATED ACCORDINGLY. COPYRIGHT 1967 BY DIGITAL EQUIPMENT CORPORATION



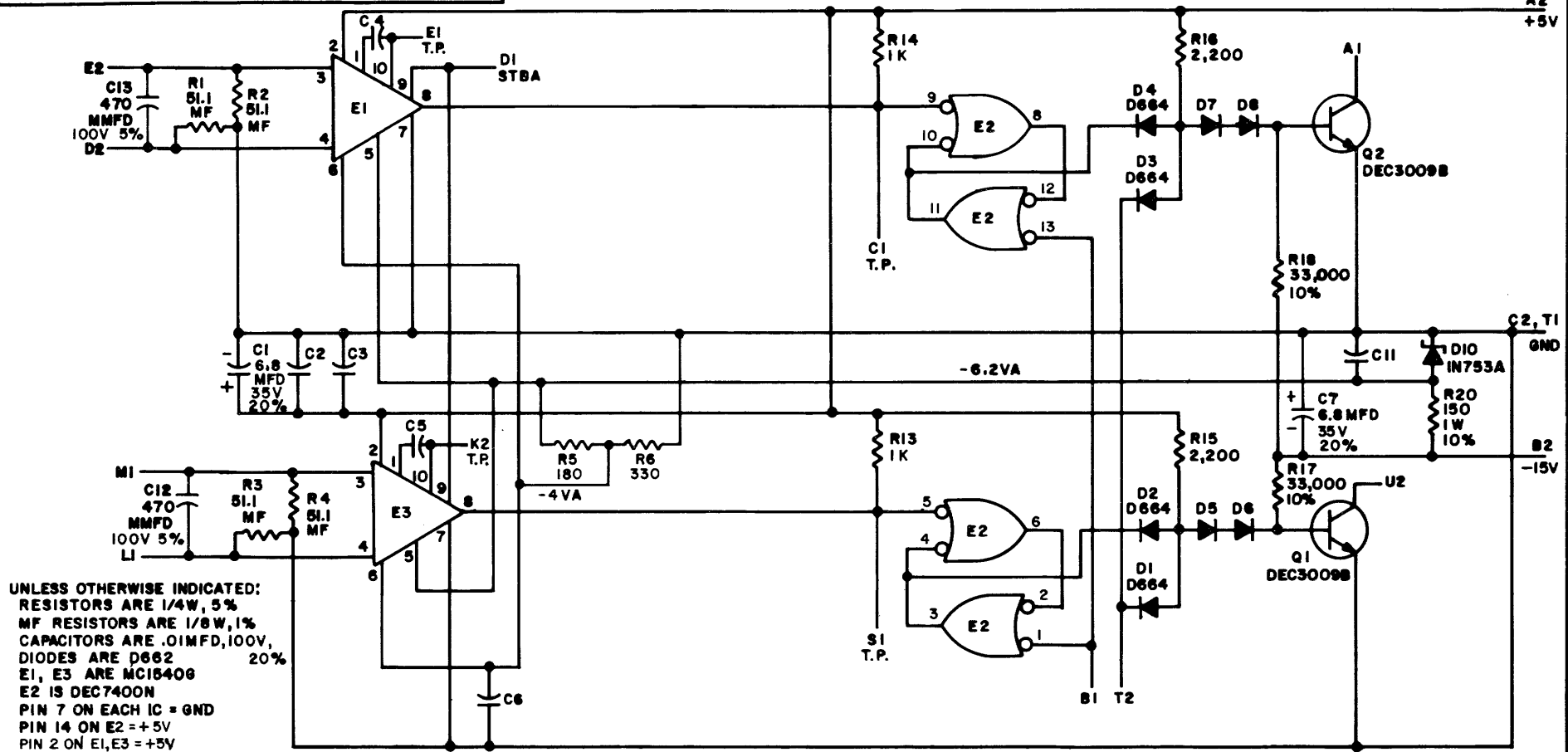
UNLESS OTHERWISE INDICATED:
 RESISTORS ARE 1/4W; 5%
 DIODES ARE D664
 TRANSISTORS ARE DEC3639-1B

 <----->

REVISIONS CHK/CHG NO./REV.	DRN <i>M. Haller</i>	DATE 2-10-67	TRANSISTOR & DIODE CONVERSION CHART		 EQUIPMENT CORPORATION MAYNARD, MASSACHUSETTS	TITLE DIODE GATE B142					
	CHK'D <i>R. Silverman</i>	DATE 2/19/67	DEC	EIA		DEC	EIA	SIZE B	CODE CS	NUMBER B142-0-1	REV.
	ENG <i>RCS</i>	DATE 7-1-67	DEC3639-1B	2N3639							
	PROD. <i>RCS</i>	DATE	D662	IN648							
			D664	IN3606							
PRINTED CIRCUIT REV.						A					

REV. J 1-0-0209 B CS 8
 NUMBER 020-0-1 SIZE CODE

THIS SCHEMATIC IS FURNISHED ONLY FOR TEST AND MAINTENANCE PURPOSES. THE CIRCUITS ARE PROPRIETARY IN NATURE AND SHOULD BE TREATED ACCORDINGLY. COPYRIGHT 1967 BY DIGITAL EQUIPMENT CORPORATION



UNLESS OTHERWISE INDICATED:
 RESISTORS ARE 1/4W, 5%
 MF RESISTORS ARE 1/8W, 1%
 CAPACITORS ARE .01MFD, 100V,
 DIODES ARE D662 20%
 E1, E3 ARE MC15408
 E2 IS DEC7400N
 PIN 7 ON EACH IC = GND
 PIN 14 ON E2 = +5V
 PIN 2 ON E1, E3 = +5V

USE THE ETCH BOARD OF THE 6021

PARTS LIST IS A-PL-6020-0-0

REVISONS	CHK	CHG NO	REV
		00001	G
		00002	D
		00003	E
		00004	F
		00005	H
		00007	J

DRN	M. Waller	DATE	7-18-67
CHK'D		DATE	7/18/67
ENG	R. Dwyer	DATE	8/16/67
PROD.	2	DATE	

TRANSISTOR & DIODE CONVERSION CHART			
DEC	EIA	DEC	EIA
DEC3009B	2N3009		
D662	IN648		
D664	IN3606		
IN753A	SAME		

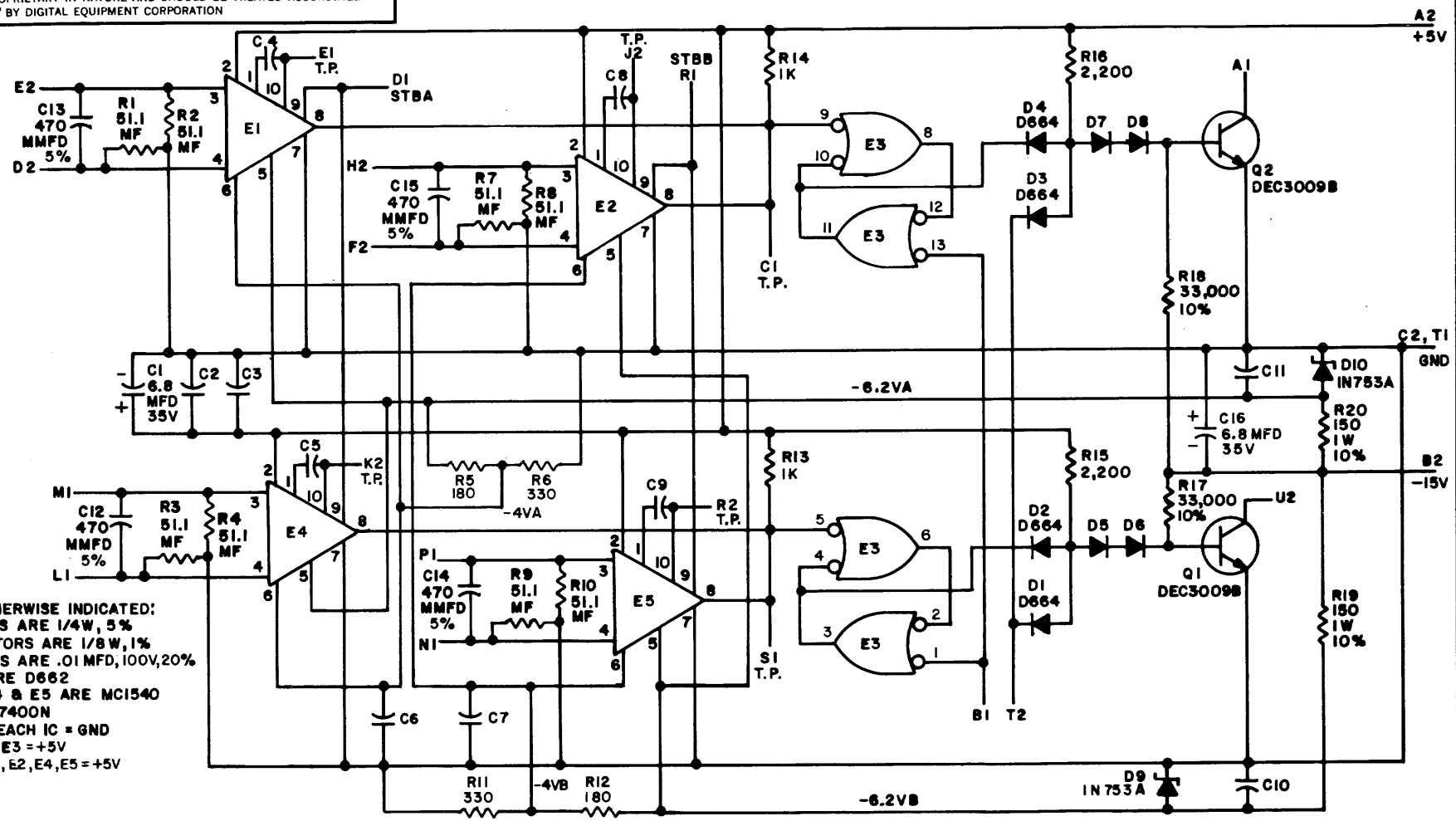
digital
 EQUIPMENT CORPORATION
 MAYNARD, MASSACHUSETTS

TITLE			
SENSE AMP. 6020			
SIZE	CODE	NUMBER	REV.
B	CS	6020-0-1	J
PRINTED CIRCUIT REV.			
DWT: 324 434 435			PINK

↓

REV. J	NUMBER 1-0-1	CS B	SIZE 6021-0-1
--------	--------------	------	---------------

THIS SCHEMATIC IS FURNISHED ONLY FOR TEST AND MAINTENANCE PURPOSES. THE CIRCUITS ARE PROPRIETARY IN NATURE AND SHOULD BE TREATED ACCORDINGLY. COPYRIGHT 1967 BY DIGITAL EQUIPMENT CORPORATION



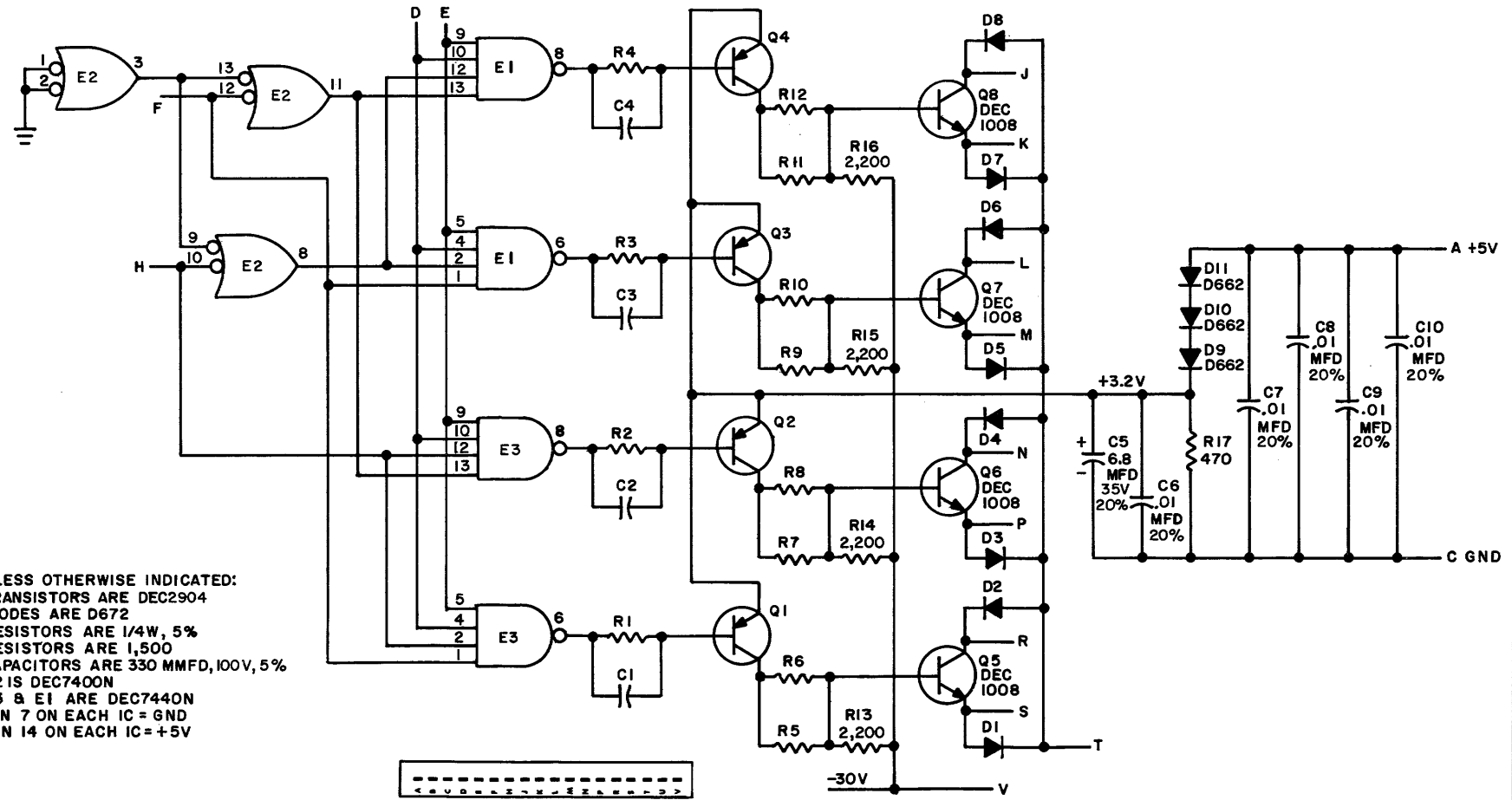
UNLESS OTHERWISE INDICATED:
 RESISTORS ARE 1/4W, 5%
 MF RESISTORS ARE 1/8W, 1%
 CAPACITORS ARE .01 MFD, 100V, 20%
 DIODES ARE D662
 E1, E2, E4 & E5 ARE MC1540
 E3 IS DEC7400N
 PIN 7 ON EACH IC = GND
 PIN 14 ON E3 = +5V
 PIN 2 ON E1, E2, E4, E5 = +5V

PARTS LIST IS A-PL-6021-0-0

REVISIONS CHK CHG NO. REV. 00001 C 00002 D 00003 E 00004 F 00005 H 00006 J	DRN. <i>M. Waller</i> CHK'D <i>[Signature]</i> ENG. <i>[Signature]</i> PROD. 2	DATE 4-11-67 DATE 4-23-67 DATE 9-28-67 DATE	TRANSISTOR & DIODE CONVERSION CHART <table border="1" style="width: 100%; border-collapse: collapse;"> <tr> <th>DEC</th> <th>EIA</th> <th>DEC</th> <th>EIA</th> </tr> <tr> <td>DEC3009B</td> <td>2N3009</td> <td></td> <td></td> </tr> <tr> <td>D662</td> <td>IN645</td> <td></td> <td></td> </tr> <tr> <td>D664</td> <td>IN3606</td> <td></td> <td></td> </tr> <tr> <td>IN753</td> <td>SAME</td> <td></td> <td></td> </tr> </table>	DEC	EIA	DEC	EIA	DEC3009B	2N3009			D662	IN645			D664	IN3606			IN753	SAME			 EQUIPMENT CORPORATION MAYNARD, MASSACHUSETTS	TITLE <h3 style="text-align: center;">SENSE AMP. G021</h3> <table border="1" style="width: 100%; border-collapse: collapse;"> <tr> <th>SIZE</th> <th>CODE</th> <th>NUMBER</th> <th>REV.</th> </tr> <tr> <td>B</td> <td>CS</td> <td>6021-0-1</td> <td>J</td> </tr> </table> PRINTED CIRCUIT REV. H	SIZE	CODE	NUMBER	REV.	B	CS	6021-0-1	J
	DEC	EIA	DEC	EIA																													
	DEC3009B	2N3009																															
	D662	IN645																															
D664	IN3606																																
IN753	SAME																																
SIZE	CODE	NUMBER	REV.																														
B	CS	6021-0-1	J																														
DISC 324 434435 PINK																																	

REV. D
NUMBER G221-0-1
SIZE CODE B CS

THIS SCHEMATIC IS FURNISHED ONLY FOR TEST AND MAINTENANCE PURPOSES. THE CIRCUITS ARE PROPRIETARY IN NATURE AND SHOULD BE TREATED ACCORDINGLY. COPYRIGHT 1967 BY DIGITAL EQUIPMENT CORPORATION



UNLESS OTHERWISE INDICATED:
 TRANSISTORS ARE DEC2904
 DIODES ARE D672
 RESISTORS ARE 1/4W, 5%
 RESISTORS ARE 1,500
 CAPACITORS ARE 330 MMFD, 100V, 5%
 E2 IS DEC7400N
 E3 & E1 ARE DEC7440N
 PIN 7 ON EACH IC = GND
 PIN 14 ON EACH IC = +5V

PARTS LIST IS A-PL-G221-0-1

REV.	CHG. NO.	REV.
A	6491	
B	6508	
C	00001	
D	100004	

DRN. *M. Waller* DATE *4-3-67*
 CHK'D' *[Signature]* DATE *3/3/67*
 ENG. *[Signature]* DATE *5/5/67*
 PROD. *[Signature]* DATE

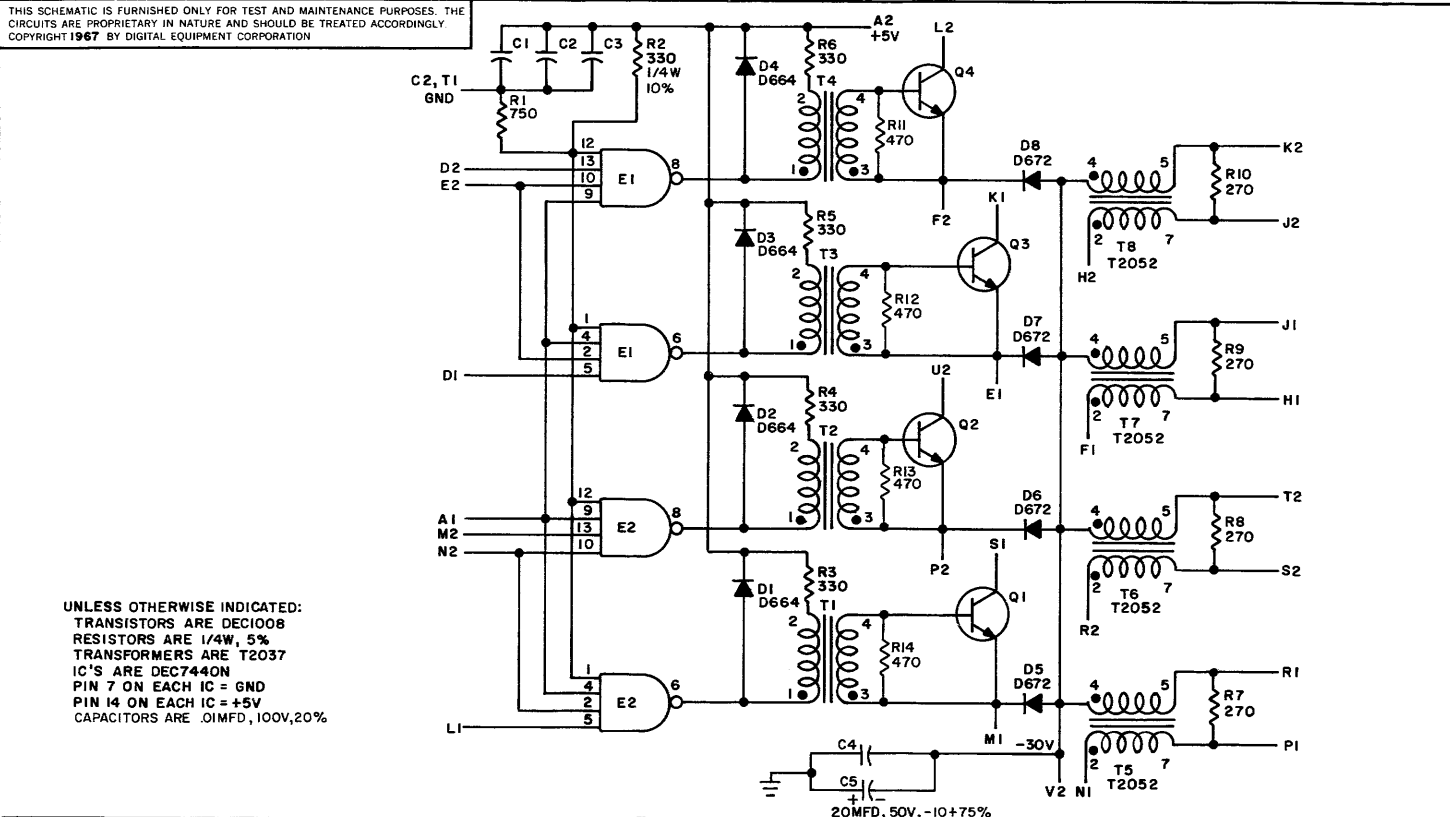
TRANSISTOR & DIODE CONVERSION CHART			
DEC	EIA	DEC	EIA
DEC1008	MM1008		
DEC2904	2N 2904		
D662	IN645		
D672	IN3655		

digital
 EQUIPMENT CORPORATION
 MAYNARD, MASSACHUSETTS

TITLE
MEMORY SELECTOR G221
 SIZE B CODE CS NUMBER G221-0-1 REV. D
 PRINTED CIRCUIT REV. B

REV. F
 NUMBER G228-0-1
 SIZE B CS

THIS SCHEMATIC IS FURNISHED ONLY FOR TEST AND MAINTENANCE PURPOSES. THE CIRCUITS ARE PROPRIETARY IN NATURE AND SHOULD BE TREATED ACCORDINGLY. COPYRIGHT 1967 BY DIGITAL EQUIPMENT CORPORATION



UNLESS OTHERWISE INDICATED:
 TRANSISTORS ARE DEC1008
 RESISTORS ARE 1/4W, 5%
 TRANSFORMERS ARE T2037
 IC'S ARE DEC7440N
 PIN 7 ON EACH IC = GND
 PIN 14 ON EACH IC = +5V
 CAPACITORS ARE .01MFD, 100V, 20%

REV.	CHK	CHG	NO	REV
1	A	6482		
2	B	0001		
3	E	0002		
4	F	0003		

DRN	DATE
<i>M. Walker</i>	4-9-67
CHK'D	DATE
ENG	DATE
	5/15/67
PROD.	DATE

TRANSISTOR & DIODE CONVERSION CHART			
DEC	EIA	DEC	EIA
DEC1008	MM1008		
D664	IN3608		
D672	IN3653		

digital
 EQUIPMENT CORPORATION
 MAYNARD, MASSACHUSETTS

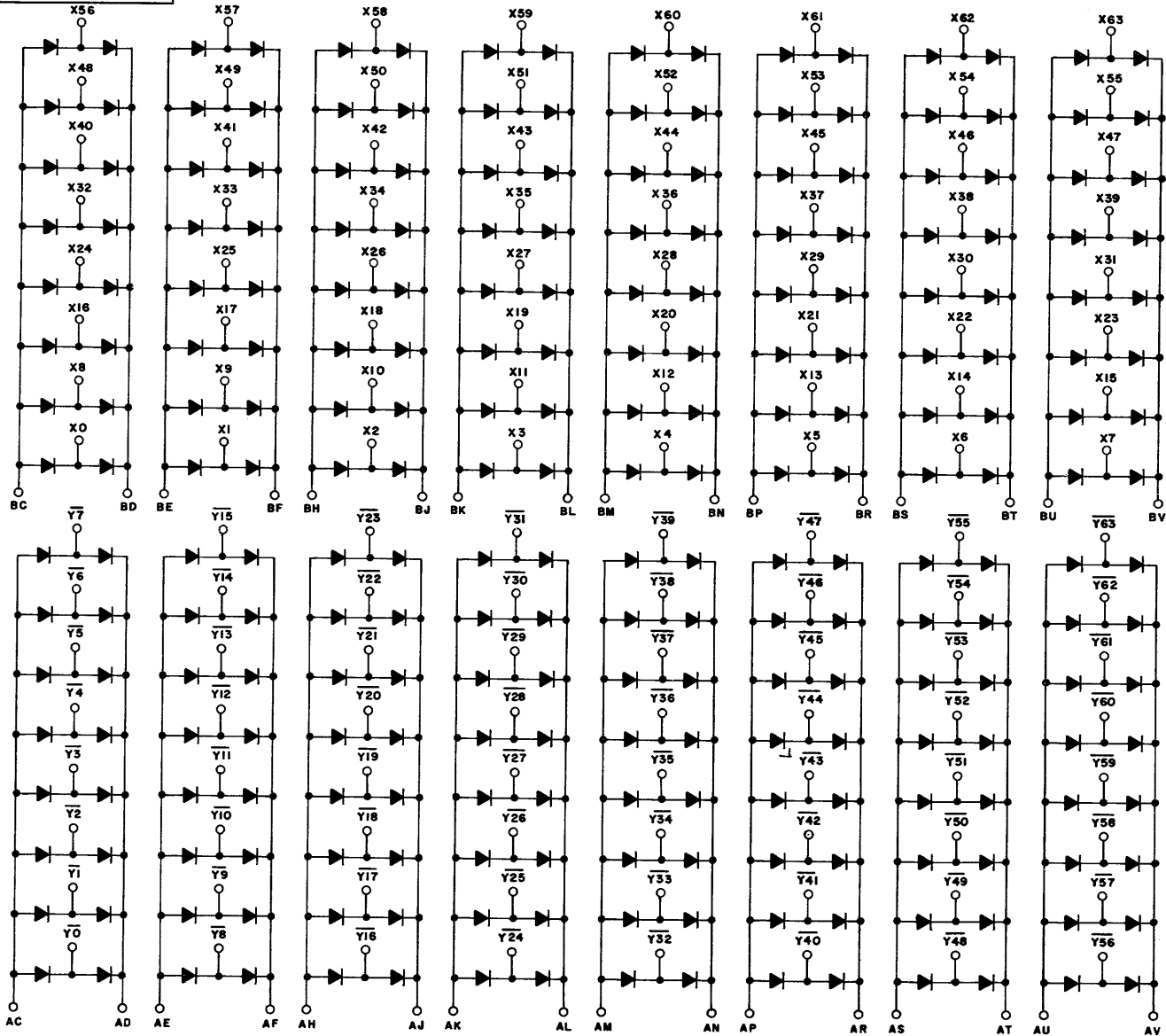
TITLE: INHIBIT DRIVER G228

SIZE B	CODE CS	NUMBER G228-0-1	REV. F
PRINTED CIRCUIT REV. H			

DEC FORM NO DRB 102

DIST 32 4, 4 34, 4 34

THIS SCHEMATIC IS FURNISHED ONLY FOR TEST AND MAINTENANCE PURPOSES. THE CIRCUITS ARE PROPRIETARY IN NATURE AND SHOULD BE TREATED ACCORDINGLY. COPYRIGHT 1966 BY DIGITAL EQUIPMENT CORPORATION



UNLESS OTHERWISE INDICATED:
 DIODES ARE D672
 USE D671 AS SUBSTITUTE
 R1 IS A 330Ω THERMISTOR
 25% #A0905P-8

REVISIONS
 CHK'D NO. REV. BY
 00001 B

DRN. DATE 11-28-66
 CHK'D DATE 11/28/66
 DATE 11/28/66
 PROD. DATE

TRANSISTOR & DIODE CONVERSION CHART			
DEC	EIA	DEC	EIA
D672	1N3665		

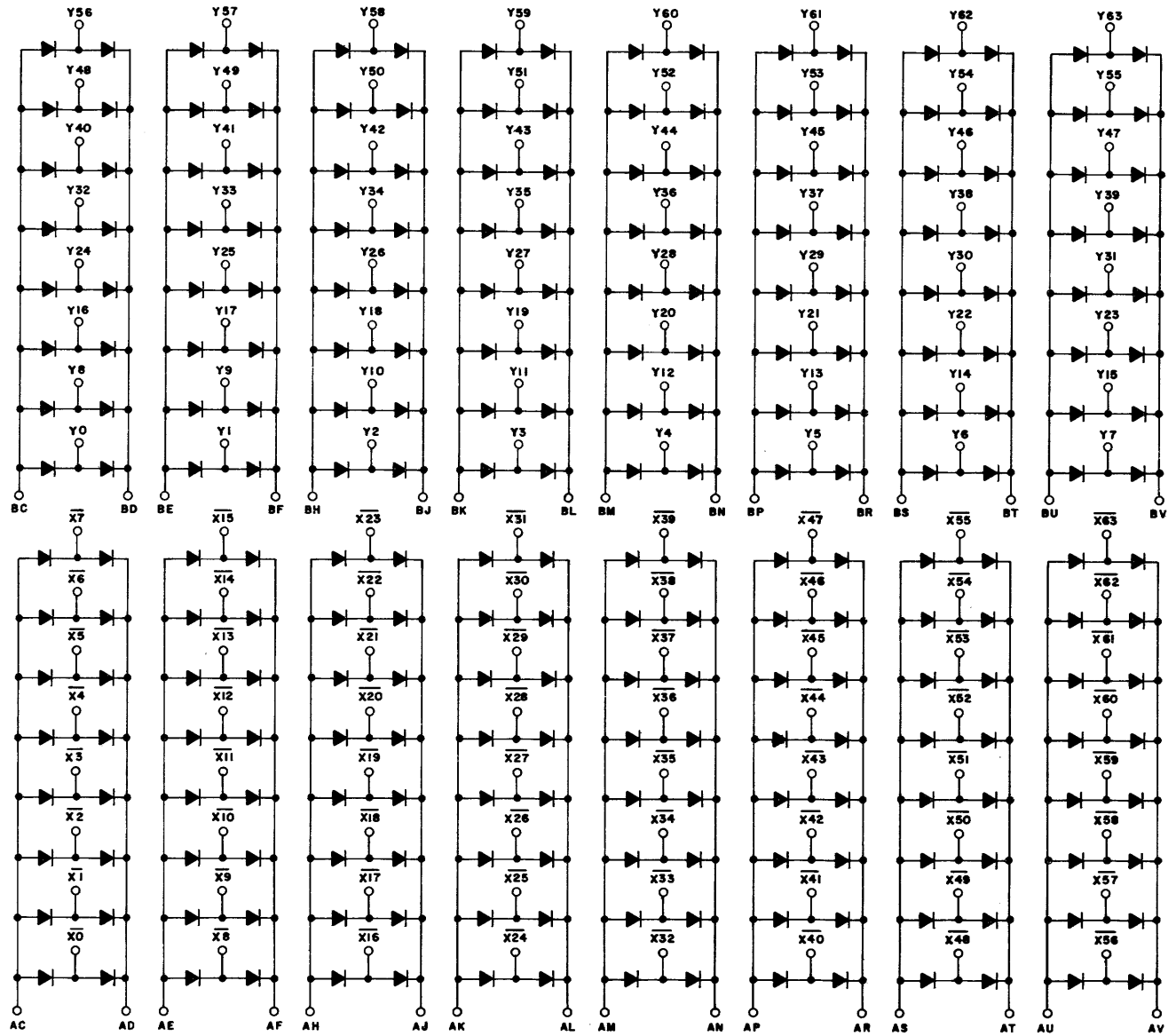
digital
 EQUIPMENT CORPORATION
 MAYNARD, MASSACHUSETTS

TITLE
A-DIODE BOARD G610

SIZE CODE NUMBER REV.
 C CS G610-0-1 B

PRINTED CIRCUIT REV. A/B

THIS SCHEMATIC IS FURNISHED ONLY FOR TEST AND MAINTENANCE PURPOSES. THE CIRCUITS ARE PROPRIETARY IN NATURE AND SHOULD BE TREATED ACCORDINGLY. COPYRIGHT 1966 BY DIGITAL EQUIPMENT CORPORATION



UNLESS OTHERWISE INDICATED:
DIODES ARE D672
USE D671 AS SUBSTITUTE

REVISIONS	CHK	CHG	NO.	REV.
	108			A

DRN: *M. Miller* DATE: 11-28-66
 CHKD: *R. Johnson* DATE: 11/28/66
 PROD: *C. G. G.* DATE: 11/28/66

TRANSISTOR & DIODE CONVERSION CHART			
	DEC	EIA	
	D672	1N5003	

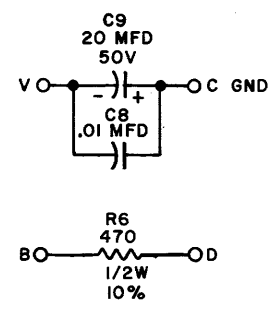
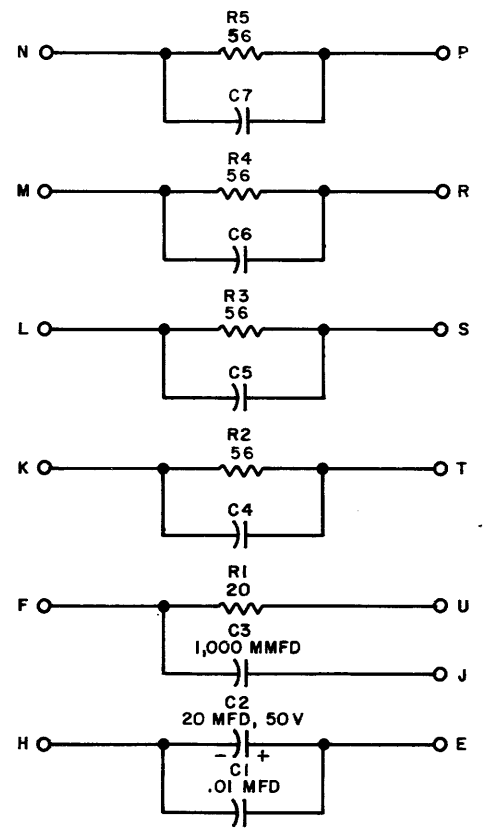
digital
EQUIPMENT CORPORATION
MAYNARD, MASSACHUSETTS

TITLE			
B-DIODE BOARD G611			
SIZE	CODE	NUMBER	REV.
C	CS	G611-0-1	A
PRINTED CIRCUIT REV.			

PART NUMBER
 C CS G611-0-1
 REV. A

REV.	D	NUMBER	6624-0-1	CS	B	SIZE
------	---	--------	----------	----	---	------

THIS SCHEMATIC IS FURNISHED ONLY FOR TEST AND MAINTENANCE PURPOSES. THE CIRCUITS ARE PROPRIETARY IN NATURE AND SHOULD BE TREATED ACCORDINGLY. COPYRIGHT 1967 BY DIGITAL EQUIPMENT CORPORATION



UNLESS OTHERWISE INDICATED:
CAPACITORS ARE 680 MMFD
RESISTORS ARE 10W, 1%, LOW INDUCTANCE

<----->

REVISIONS	CHK	CHG NO.	REV.
		6442	A
		6561	B
		6709	C
		00001	D

DRN. <i>M. Haller</i>	DATE 5-24-67
CHK'D	DATE
ENG	DATE
PROD.	DATE

TRANSISTOR & DIODE CONVERSION CHART			
DEC	EIA	DEC	EIA

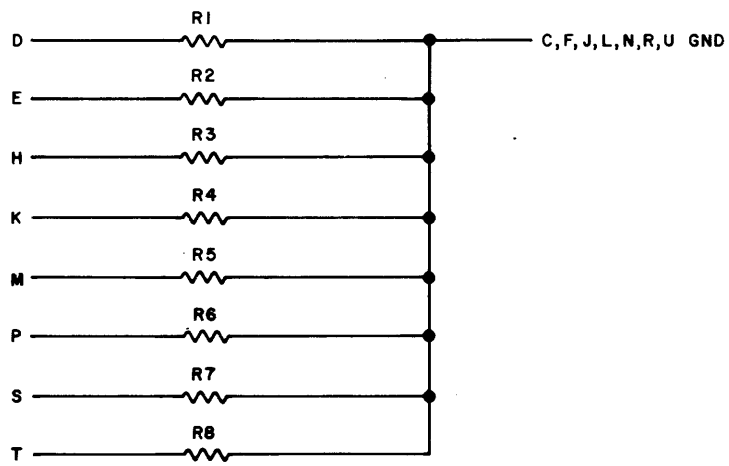
digital
EQUIPMENT CORPORATION
MAYNARD, MASSACHUSETTS

TITLE RESISTOR BOARD G624			
SIZE B	CODE CS	NUMBER G624-0-1	REV. D
PRINTED CIRCUIT REV.			C

↓

REV.	NUMBER	SIZE	CODE
	6700-YA-1	B	CS

THIS SCHEMATIC IS FURNISHED ONLY FOR TEST AND MAINTENANCE PURPOSES. THE CIRCUITS ARE PROPRIETARY IN NATURE AND SHOULD BE TREATED ACCORDINGLY. COPYRIGHT 1970 BY DIGITAL EQUIPMENT CORPORATION



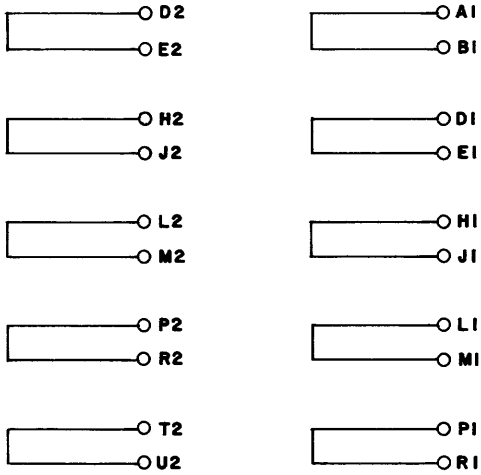
UNLESS OTHERWISE INDICATED:
RESISTORS ARE 100; 1/4W; 5%

USE THE G700 ETCH

REVISIONS CHK CHG NO REV.			TRANSISTOR & DIODE CONVERSION CHART				digital EQUIPMENT CORPORATION MAYNARD, MASSACHUSETTS	TITLE 100Ω TERMINATOR G700-YA			
	DRN.	DATE	DEC	EIA	DEC	EIA		SIZE	CODE	NUMBER	REV.
	CHK'D	DATE						B	CS	G700-YA-1	
	ENR	DATE									
	PRD	DATE									
							PRINTED CIRCUIT REV.			B	

REV	A	NUMBER	6718-0-1	CS	B	SIZE
-----	---	--------	----------	----	---	------

THIS SCHEMATIC IS FURNISHED ONLY FOR TEST AND MAINTENANCE PURPOSES. THE CIRCUITS ARE PROPRIETARY IN NATURE AND SHOULD BE TREATED ACCORDINGLY. COPYRIGHT 1969 BY DIGITAL EQUIPMENT CORPORATION

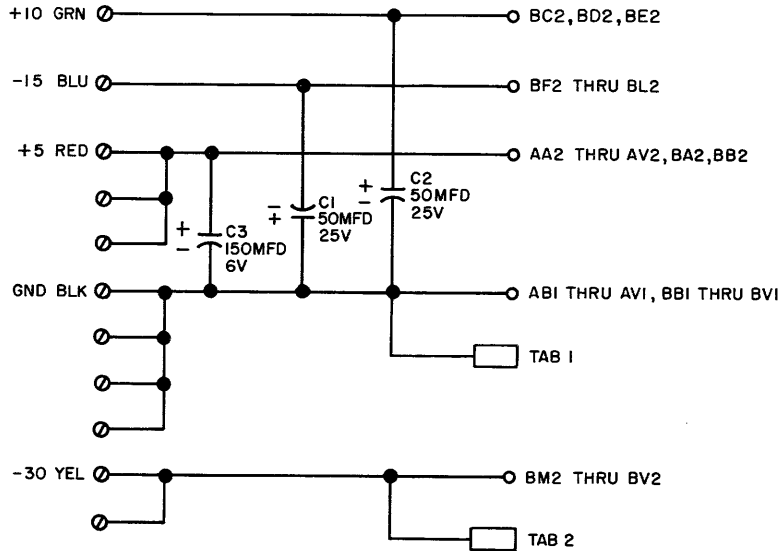


PARTS LIST IS A-PL-6718-0-0

REVISIONS	CHK	CHG NO	REV	A	DRN	DATE	TRANSISTOR & DIODE CONVERSION CHART				TITLE	SIZE	CODE	NUMBER	REV.	
	1/24	00001	A			1-10-69	DEC	EIA	DEC	EIA						digital
					CHK'D	DATE										
					ENG	DATE										
					PROD.	DATE										

REV. NUMBER I-0-089 B CS SIZE

THIS SCHEMATIC IS FURNISHED ONLY FOR TEST AND MAINTENANCE PURPOSES. THE CIRCUITS ARE PROPRIETARY IN NATURE AND SHOULD BE TREATED ACCORDINGLY. COPYRIGHT 1969 BY DIGITAL EQUIPMENT CORPORATION



UNLESS OTHERWISE INDICATED:
 ○ ARE EYELETS
 TABS ARE DEC A-MD-7407196

REVISIONS
 CHK (CHG NO. REV.)

DRN. <i>E. BUTLER</i>	DATE <i>4/14/69</i>
CHK'D <i>M. Mansfield</i>	DATE <i>4-24-69</i>
ENG. <i>L. Dale</i>	DATE <i>5/15/69</i>
PROD.	DATE

TRANSISTOR & DIODE CONVERSION CHART			
DEC	EIA	DEC	EIA

digital
 EQUIPMENT CORPORATION
 MAYNARD, MASSACHUSETTS

TITLE POWER CONNECTOR G780			
SIZE B	CODE CS	NUMBER G780-0-1	REV.
PRINTED CIRCUIT REV.			A

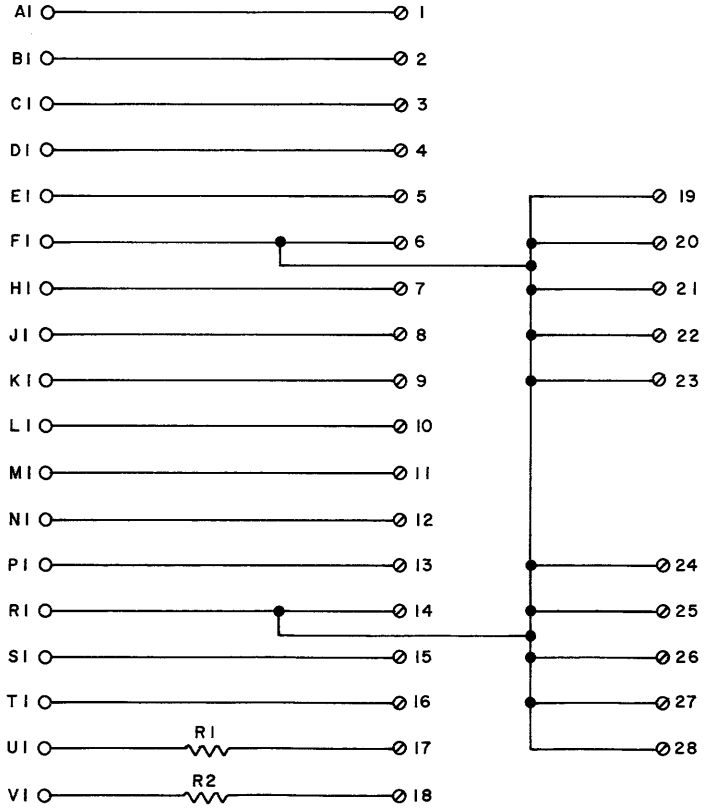
↓

REV.	NUMBER	CS	B	SIZE
	G783-0-1			

THIS SCHEMATIC IS FURNISHED ONLY FOR TEST AND MAINTENANCE PURPOSES. THE CIRCUITS ARE PROPRIETARY IN NATURE AND SHOULD BE TREATED ACCORDINGLY. COPYRIGHT 1969 BY DIGITAL EQUIPMENT CORPORATION

COLOR CODING CHART BASED ON STD. BELDEN PAIR DESIGNATION

PAIR NO.	SHIELD	PIN	WIRE
1	RED	A1	BLK
		B1	RED
2	RED	C1	BLK
		D1	WHT
3	GRN	E1	BLK
		H1	GRN
4	BLU	J1	BLK
		K1	BLU
5	BLU	L1	BLK
		M1	YEL
6	BLU	N1	BLK
		P1	BRN
7	BLU	S1	BLK
		T1	ORN
8	BLU	U1	RED
		V1	WHT
9	BLU	F1	RED
		R1	GRN

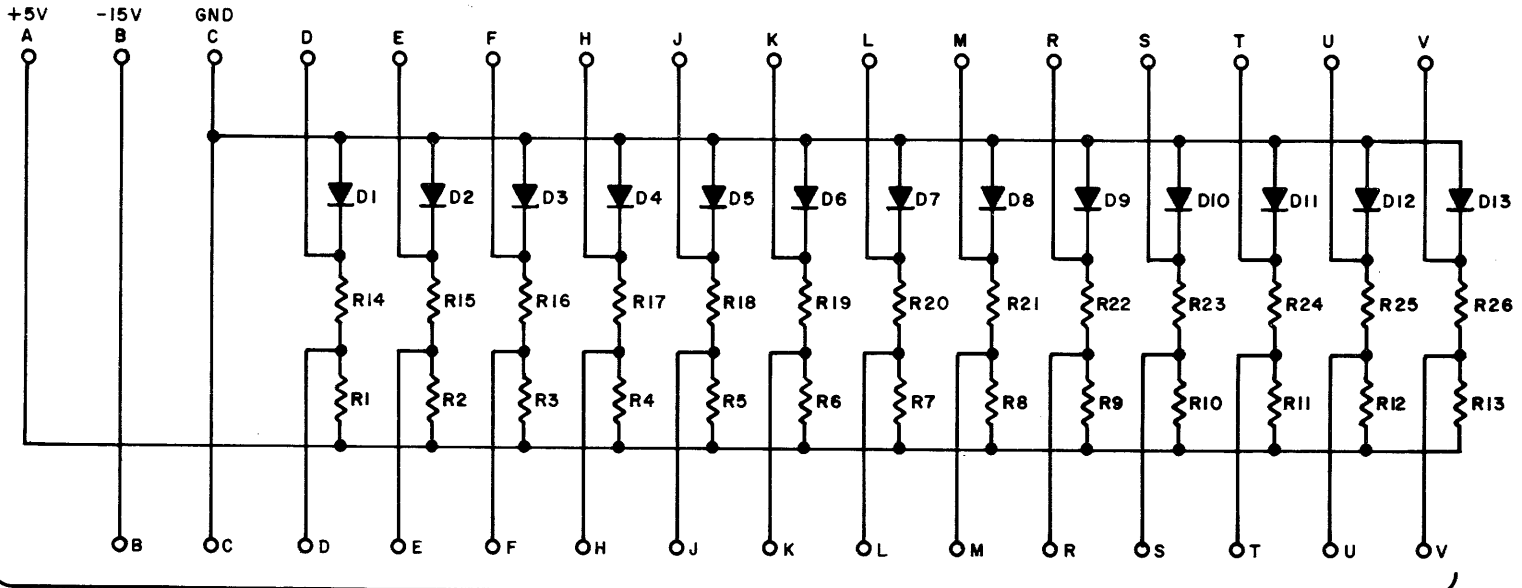


UNLESS OTHERWISE INDICATED:
RESISTORS ARE 10, 1/4W, 10%
⊙ INDICATES SPLIT LUG

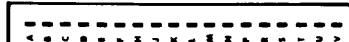
REVISIONS CHK/CHG NO./REV.	DRN. <i>M. Keller</i> DATE <i>4-14-69</i>	TRANSISTOR & DIODE CONVERSION CHART		digital	TITLE CABLE CONNECTOR G783	
	CHK'D <i>M. Mansfield</i> DATE <i>4-16-69</i>	DEC	EIA		DEC	EIA
	END <i>L. Hale</i> DATE <i>5/15/69</i>					CODE CS
	PROD. DATE					NUMBER G783-0-1
						PRINTED CIRCUIT REV. A

REV. B
 NUMBER 6793-0-1
 SIZE CODE B
 CS 6793-0-1

THIS SCHEMATIC IS FURNISHED ONLY FOR TEST AND MAINTENANCE PURPOSES. THE CIRCUITS ARE PROPRIETARY IN NATURE AND SHOULD BE TREATED ACCORDINGLY. COPYRIGHT 1966 BY DIGITAL EQUIPMENT CORPORATION



FLEXPRINT



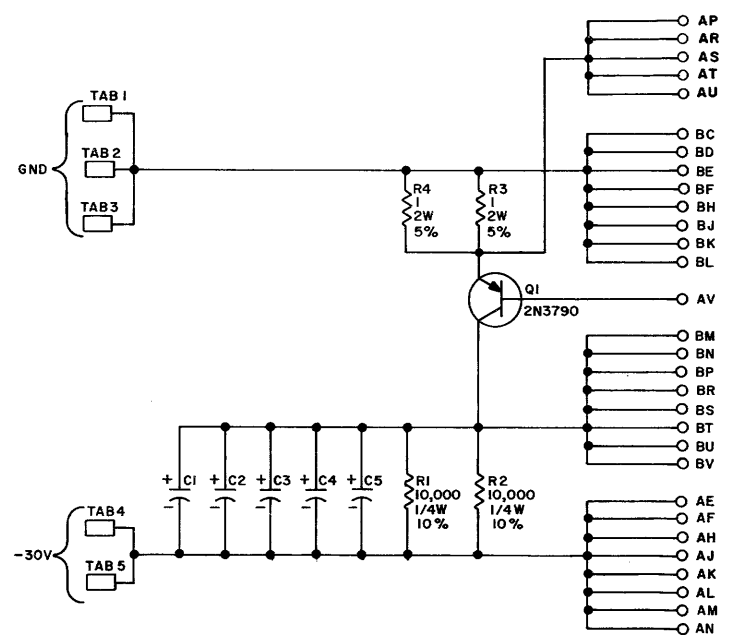
R1 THRU R13	RES. 6.8K 1/4W 10% CC	1300463
R14 THRU R26	RES. 1.5K 1/4W 5% CC	1300391
D1 THRU D13	DIODE D664	11 00114
	PARTS LIST	A-PL-6793-0-0
REFERENCE DESIGNATION	DESCRIPTION	PART NO.

REVISIONS CHK CHG NO. REV. 100001 A 100002 B	DRN. <i>W. Miller</i> DATE <i>1-9-68</i>	TRANSISTOR & DIODE CONVERSION CHART				digital EQUIPMENT CORPORATION MAYNARD, MASSACHUSETTS	TITLE PDP-8I SWITCH CONNECTOR G793			
	CHK'D <i>R. Silverman</i> DATE <i>1/15/68</i> ENG. <i>Rogge</i> PROD. DATE <i>1/15/68</i>	DEC D664	EIA 1N3606	DEC EIA	DEC EIA		SIZE B	CODE CS	NUMBER G793-0-1	REV. B

Pink 5 DIST. 324 434 435

H
REV. NUMBER
I-0-0-1
B CS
SIZE CODE

THIS SCHEMATIC IS FURNISHED ONLY FOR TEST AND MAINTENANCE PURPOSES. THE CIRCUITS ARE PROPRIETARY IN NATURE AND SHOULD BE TREATED ACCORDINGLY. COPYRIGHT 1966 BY DIGITAL EQUIPMENT CORPORATION



UNLESS OTHERWISE INDICATED:
 CAPACITORS ARE 20MFD 50V, -10+75%
 TABS ARE 250 SERIES FASTON TABS TYPE 60465-2 (AMP INC)
 Q1 IS MOUNTED ON HEAT SINK, WAKEFIELD TYPE NC-623-A USING AN ANODIZED ALUMINUM INSULATING WASHER & WAKEFIELD TYPE 120 THERMAL JOINT COMPOUND

PARTS LIST A-PL-G805-0-0

REVISIONS CHG NO. REV. 5902 B 6468 C 7072 F 00002 H	DRN DATE 1/11/66	TRANSISTOR & DIODE CONVERSION CHART				digital EQUIPMENT CORPORATION MAYNARD, MASSACHUSETTS	TITLE NEGATIVE REGULATOR G805		
	CHK'D DATE 1/11/66	DEC EIA 2N3790 SAME	DEC EIA	DEC EIA	SIZE B CS		NUMBER G805-0-1	REV H	
	ENG DATE 1/11/66	PROD DATE	PRINTED CIRCUIT REV.				E F	3	
	DIST. 324 434 435 ³								

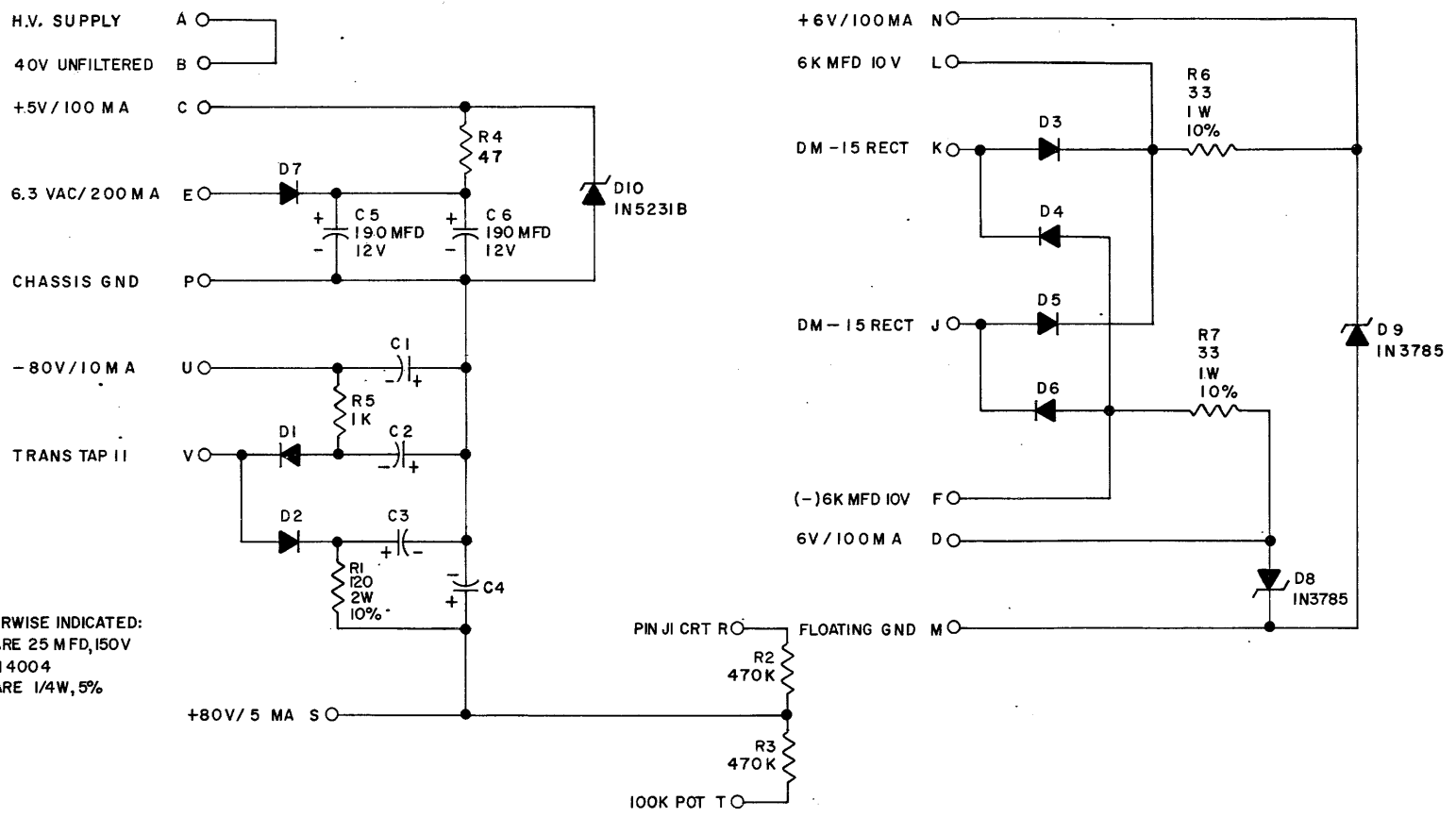
DEC FORM NO. DRB 102

S PINK

↓

REV. B	NUMBER 1-0-1	CS	B
3	3	3	3

THIS SCHEMATIC IS FURNISHED ONLY FOR TEST AND MAINTENANCE PURPOSES. THE CIRCUITS ARE PROPRIETARY IN NATURE AND SHOULD BE TREATED ACCORDINGLY. COPYRIGHT 1969 BY DIGITAL EQUIPMENT CORPORATION



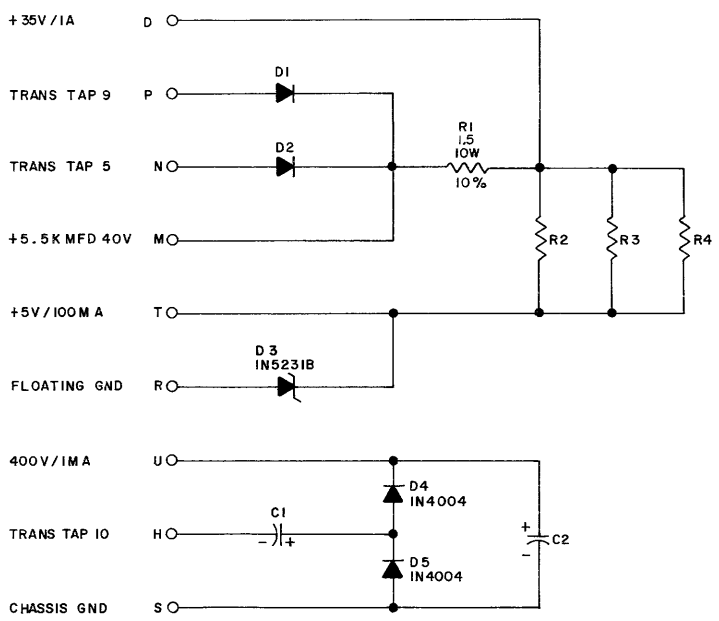
UNLESS OTHERWISE INDICATED:
CAPACITORS ARE 25 MFD, 150V
DIODES ARE IN 4004
RESISTORS ARE 1/4W, 5%

REVISIONS CHG NO. REV. 00001 B	DRN. <i>R. Bunker</i>	DATE <i>2-25-69</i>	TRANSISTOR & DIODE CONVERSION CHART					TITLE POWER SUPPLY BI G817			
	CHK'D <i>R. Bunker</i>	DATE <i>6-2-69</i>	DEC	EIA	DEC	EIA		SIZE B	CODE CS	NUMBER G817-0-1	REV. B
	ENG. <i>R. Bunker</i>	DATE <i>7-17-69</i>	IN5231B	SAME							
	PROD.	DATE	IN3785	SAME							
			IN4004	SAME							

MAYNARD, MASSACHUSETTS

REV. D
 NUMBER G818-0-1
 SIZE CODE B CS

THIS SCHEMATIC IS FURNISHED ONLY FOR TEST AND MAINTENANCE PURPOSES. THE CIRCUITS ARE PROPRIETARY IN NATURE AND SHOULD BE TREATED ACCORDINGLY. COPYRIGHT 1969 BY DIGITAL EQUIPMENT CORPORATION



UNLESS OTHERWISE INDICATED:
 CAPACITORS ARE 10 MFD 450V
 DIODES ARE MR 1033B
 RESISTORS ARE 1K 2W 5%

REV.	CHG NO	REV.
C	00001	
D	00002	

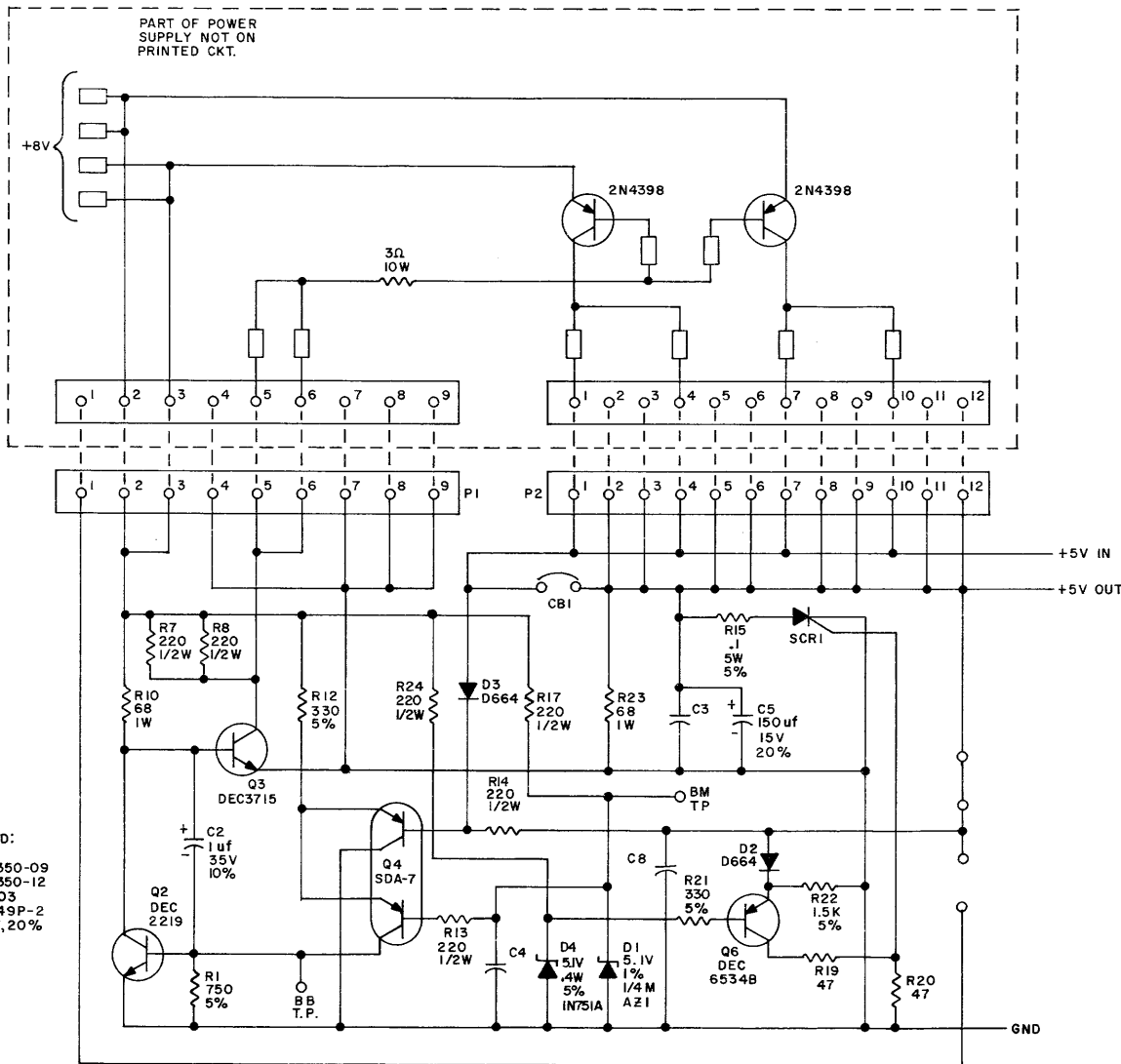
DRN	<i>Adkins</i>	DATE	9-20-69
CHK'D	<i>M.W.</i>	DATE	1-3-69
ENG.	<i>R.B.C.</i>	DATE	2-11-69
PROD.	<i>[Signature]</i>	DATE	4-22-69

TRANSISTOR & DIODE CONVERSION CHART			
DEC		EIA	
MR1033B	SAME		
IN5231B	SAME		
IN4004	SAME		

digital
 EQUIPMENT CORPORATION
 MAYNARD, MASSACHUSETTS

TITLE				POWER SUPPLY B2 G818			
SIZE	CODE	NUMBER	REV				
B	CS	G818-0-1	D				
PRINTED CIRCUIT REV.			B				

THIS SCHEMATIC IS FURNISHED ONLY FOR TEST AND MAINTENANCE PURPOSES. THE CIRCUITS ARE PROPRIETARY IN NATURE AND SHOULD BE TREATED ACCORDINGLY. COPYRIGHT 1969 BY DIGITAL EQUIPMENT CORPORATION.



UNLESS OTHERWISE INDICATED:
 RESISTORS ARE 1/4W, 10%
 P1 IS SOCKET HOUSING 1209350-09
 P2 IS SOCKET HOUSING 1209350-12
 CB1 IS AIRPAX #UPLI-50-0203
 SCR1 IS A RECTIFIER MCR 649P-2
 CAPACITORS ARE .01uf, 100V, 20%

REVISIONS	CHK	CHG	NO.	REV.
1	W		00001	B
2	W		00002	C

DEC FORM NO.

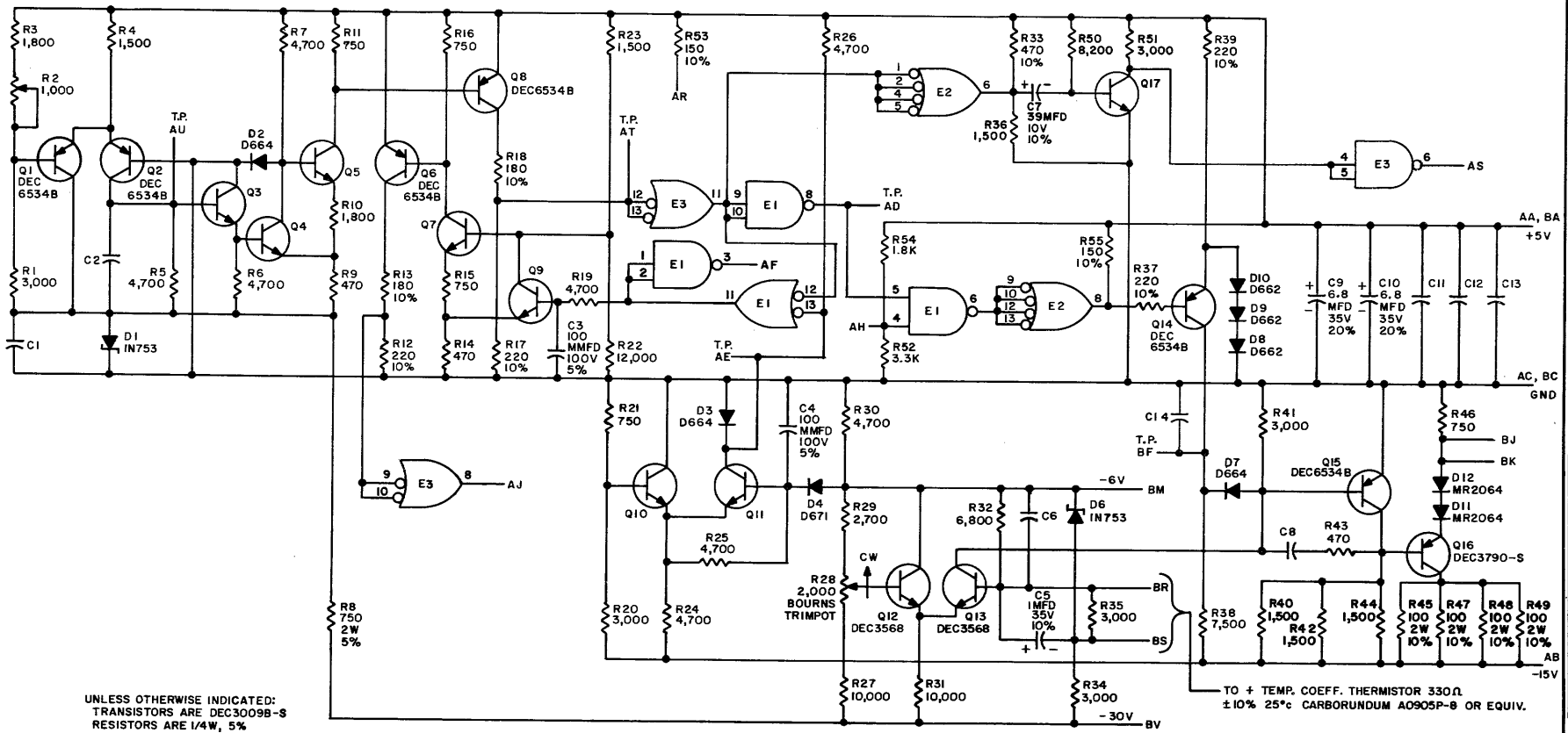
DRN	DATE
Dr. Muller	5-5-69
CHK'D	DATE
V. V. V.	5-7-69
ENG	DATE
J. Dale	5/13/69
PROD	DATE

TRANSISTOR & DIODE CONVERSION CHART			
DEC	EIA	DEC	EIA
D 664	1N3606	SDA-7	SAME
5.1V 1/4M AZ1	NONE		
DEC6534 B	MPS6534		
DEC2219	2N2219		
DEC3715	NONE		

digital		+5 VOLT REGULATOR G824	
EQUIPMENT CORPORATION		SIZE	NUMBER
C	CS	G824-0-1	REV. C
MAYNARD, MASSACHUSETTS		PRINTED CIRCUIT REV.	B

REV. NUMBER

THIS SCHEMATIC IS PROVIDED ONLY FOR TEST AND MAINTENANCE PURPOSES. THE CIRCUITS ARE PROPRIETARY IN PART AND SHOULD BE TREATED ACCORDINGLY. COPYRIGHT 1967 BY DIGITAL EQUIPMENT CORPORATION



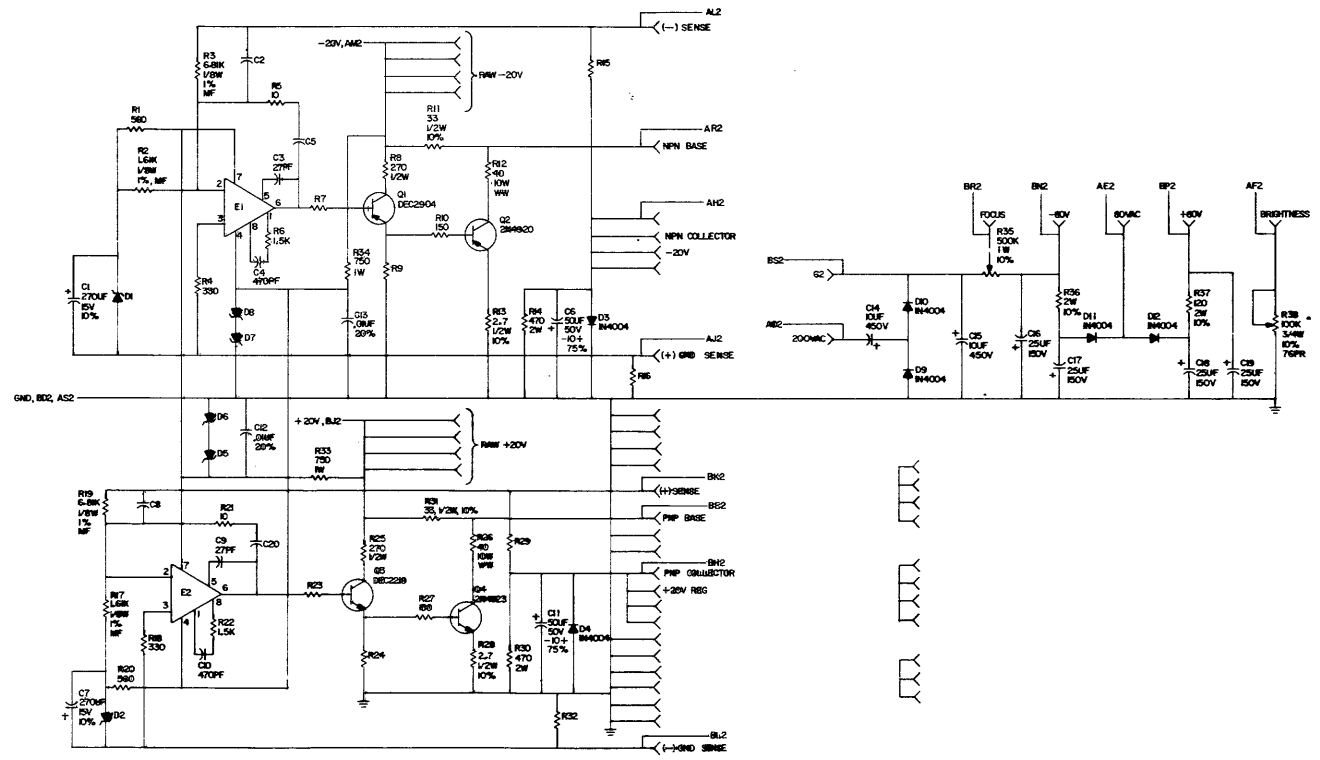
UNLESS OTHERWISE INDICATED:
 TRANSISTORS ARE DEC3009B-S
 RESISTORS ARE 1/4W, 5%
 CAPACITORS ARE .01 MFD
 E1 & E3 ARE DEC7400N
 E2 IS DEC7440N
 PIN 7 ON EACH IC = GND
 PIN 14 ON EACH IC = +5V

PARTS LIST A-PL-G826-0-0

REVISIONS		DRN. <i>M. Waller</i>	DATE <i>7-10-67</i>	TRANSISTOR & DIODE CONVERSION CHART				TITLE REGULATOR CONTROL G826	
CHK	REV			DEC	EIA	DEC	EIA		
1	00002	DEC3009B	2N3009	D664	IN3606		SIZE	CODE	NUMBER
2	00003	DEC3568	2N3568	D871	IN3653		C	CS	G826-0-1
3	00004	DEC6534B	MPS6534	IN753	SAME		L		
4	00009	DEC3790	2N3790	MR2064	IN4001				
DEC FORM NO. 100		4	DATE <i>7/26/67</i>	MAYNARD, MASSACHUSETTS				PRINTED CIRCUIT REV.	K

REV. J
SIZE CODE C3
NUMBER G826-0-1

THIS SCHEMATIC IS FURNISHED ONLY FOR TEST AND MAINTENANCE PURPOSES. THE CIRCUIT AND INFORMATION IS UNCLASSIFIED AND SHOULD BE TREATED AS UNCLASSIFIED INFORMATION UNLESS INDICATED OTHERWISE.

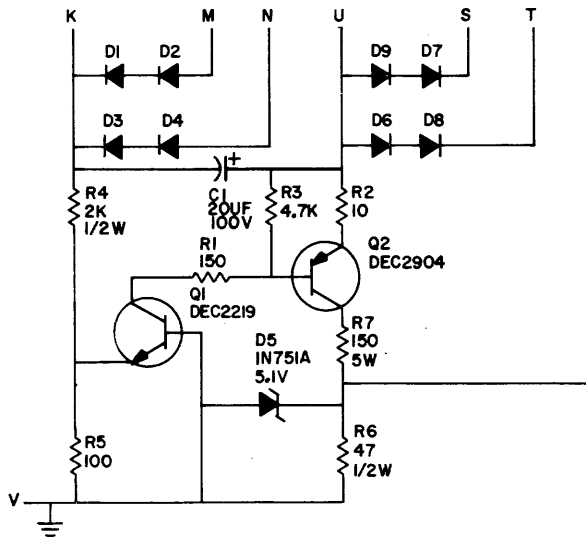


UNLESS OTHERWISE INDICATED:
 RESISTORS ARE 1K, 1/4W, 5%
 DIODES ARE IN752A, 5.6V
 CAPACITORS ARE 100PF, 100V, 5%
 E1, E2 ARE DELTAS
 — EYELETS

Part Number		Description		Quantity		Remarks	
Q1	DEC2904	NPN	Transistor	1			
Q2	2N4820	NPN	Transistor	1			
Q3	NE2228	PNP	Transistor	1			
Q4	2N4820	NPN	Transistor	1			
D1	1N4004	Diode	Rectifier	1			
D2	1N4004	Diode	Rectifier	1			
D3	1N4004	Diode	Rectifier	1			
D4	1N4004	Diode	Rectifier	1			
D5	1N4004	Diode	Rectifier	1			
D6	1N4004	Diode	Rectifier	1			
D7	1N4004	Diode	Rectifier	1			
D8	1N4004	Diode	Rectifier	1			
D9	1N4004	Diode	Rectifier	1			
D10	1N4004	Diode	Rectifier	1			
D11	1N4004	Diode	Rectifier	1			
D12	1N4004	Diode	Rectifier	1			
C1	220UF	Capacitor	Electrolytic	1			
C2	0.01UF	Capacitor	Non-polarized	1			
C3	22PF	Capacitor	Non-polarized	1			
C4	470PF	Capacitor	Non-polarized	1			
C5	0.01UF	Capacitor	Non-polarized	1			
C6	0.01UF	Capacitor	Non-polarized	1			
C7	220UF	Capacitor	Electrolytic	1			
C8	0.01UF	Capacitor	Non-polarized	1			
C9	22PF	Capacitor	Non-polarized	1			
C10	470PF	Capacitor	Non-polarized	1			
C11	0.01UF	Capacitor	Non-polarized	1			
C12	0.01UF	Capacitor	Non-polarized	1			
C13	0.01UF	Capacitor	Non-polarized	1			
C14	0.01UF	Capacitor	Non-polarized	1			
C15	0.01UF	Capacitor	Non-polarized	1			
C16	0.01UF	Capacitor	Non-polarized	1			
C17	25UF	Capacitor	Electrolytic	1			
R1	580	Resistor	Fixed	1			
R2	1.5K	Resistor	Fixed	1			
R3	6.8K	Resistor	Fixed	1			
R4	330	Resistor	Fixed	1			
R5	10W	Resistor	Fixed	1			
R6	1.5K	Resistor	Fixed	1			
R7	150	Resistor	Fixed	1			
R8	270	Resistor	Fixed	1			
R9	1W	Resistor	Fixed	1			
R10	150	Resistor	Fixed	1			
R11	33	Resistor	Fixed	1			
R12	10W	Resistor	Fixed	1			
R13	1.5K	Resistor	Fixed	1			
R14	10W	Resistor	Fixed	1			
R15	10W	Resistor	Fixed	1			
R16	10W	Resistor	Fixed	1			
R17	10W	Resistor	Fixed	1			
R18	10W	Resistor	Fixed	1			
R19	6.8K	Resistor	Fixed	1			
R20	1.5K	Resistor	Fixed	1			
R21	580	Resistor	Fixed	1			
R22	1.5K	Resistor	Fixed	1			
R23	10W	Resistor	Fixed	1			
R24	10W	Resistor	Fixed	1			
R25	10W	Resistor	Fixed	1			
R26	10W	Resistor	Fixed	1			
R27	10W	Resistor	Fixed	1			
R28	10W	Resistor	Fixed	1			
R29	10W	Resistor	Fixed	1			
R30	10W	Resistor	Fixed	1			
R31	10W	Resistor	Fixed	1			
R32	10W	Resistor	Fixed	1			
R33	10W	Resistor	Fixed	1			
R34	10W	Resistor	Fixed	1			
R35	10K	Resistor	Fixed	1			
R36	10K	Resistor	Fixed	1			
R37	10K	Resistor	Fixed	1			
R38	10K	Resistor	Fixed	1			

REV. NUMBER G838-0-1 SIZE CODE B CS

THIS SCHEMATIC IS FURNISHED ONLY FOR TEST AND MAINTENANCE PURPOSES. THE CIRCUITS ARE PROPRIETARY IN NATURE AND SHOULD BE TREATED ACCORDINGLY. COPYRIGHT 1970 BY DIGITAL EQUIPMENT CORPORATION



UNLESS OTHERWISE INDICATED:

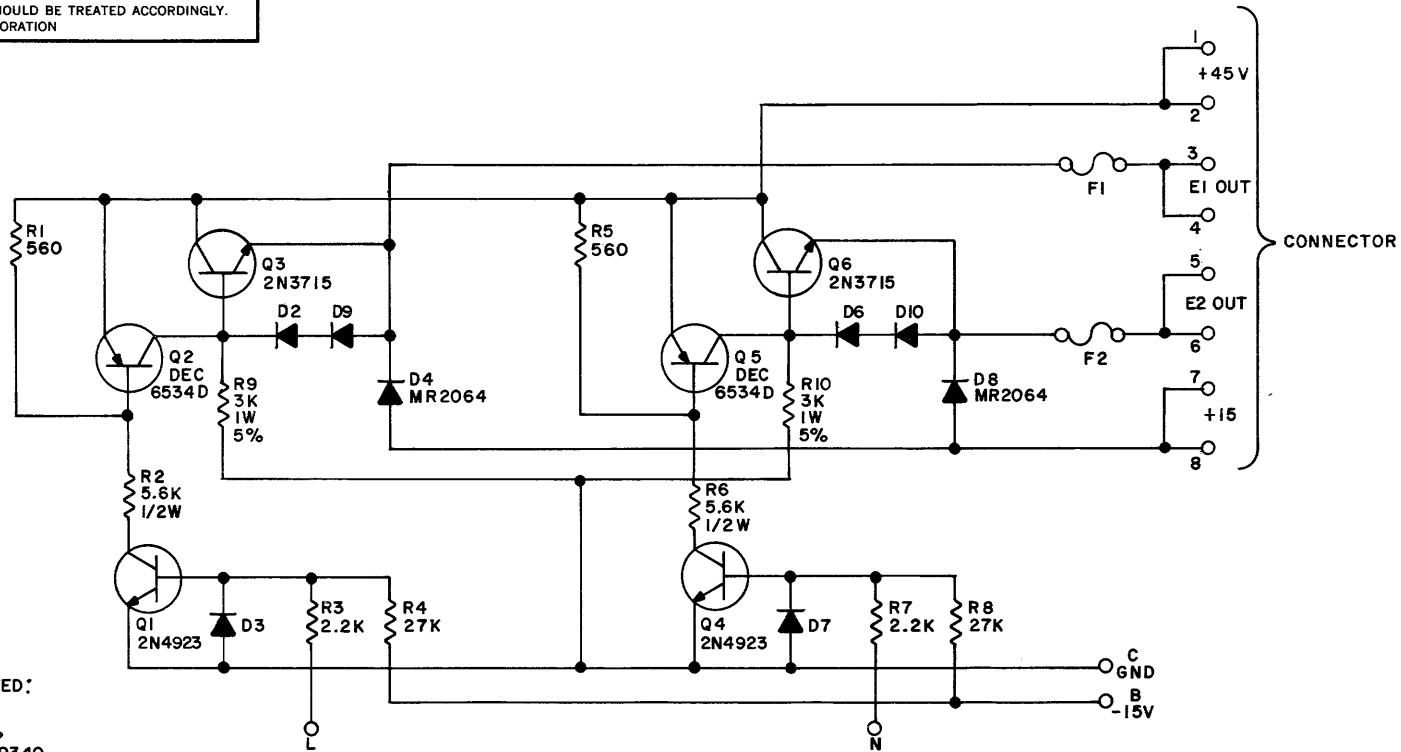
RESISTORS = 1/4W, 5%
DIODES = IN4004

REVISIONS CHK/CHG NO./REV.	DRN. <i>NANCY MOORE</i>	DATE <i>12/18/70</i>	TRANSISTOR & DIODE CONVERSION CHART				digital EQUIPMENT CORPORATION MAYNARD, MASSACHUSETTS	TITLE FAULT PROTECTION BOARD G838			
	CHK'D <i>[Signature]</i>	DATE <i>23 DEC 70</i>	DEC	EIA	DEC	EIA		SIZE B	CODE CS	NUMBER G838-0-1	REV.
	ENG <i>[Signature]</i>	DATE <i>2 29 70</i>	IN4004	SAME	IN781A	SAME					
	PROD. <i>[Signature]</i>	DATE	DEC2904	2N1132	DEC2219	2N2219					
PRINTED CIRCUIT REV. <i>A</i>											

PINK BLUE

REV. A
 NUMBER 6847-0-1
 SIZE CODE B
 CS
 B

THIS SCHEMATIC IS FURNISHED ONLY FOR TEST AND MAINTENANCE PURPOSES. THE CIRCUITS ARE PROPRIETARY IN NATURE AND SHOULD BE TREATED ACCORDINGLY. COPYRIGHT 1969 BY DIGITAL EQUIPMENT CORPORATION



UNLESS OTHERWISE INDICATED:
 DIODES ARE D672
 RESISTORS ARE 1/4W, 10%
 CONNECTOR IS DEC #1209340
 CONNECTOR PINS ARE DEC #1209456
 F1, F2 ARE 5 AMP

REVISIONS	CHK	CHG NO.	REV.
		00002	A
		00003	

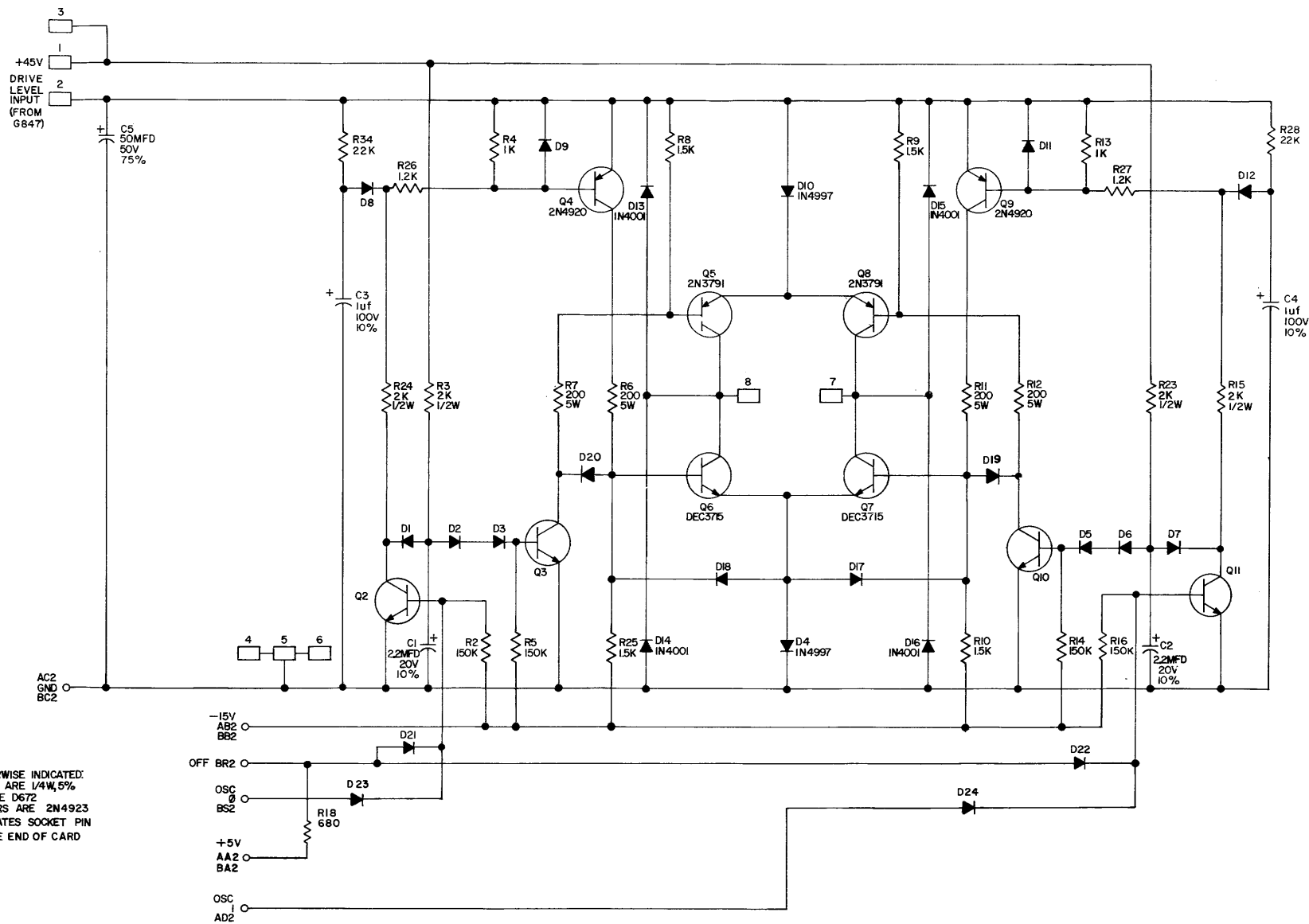
DRN.	DATE
<i>G. Blum</i>	2-1-69
CHK'D	DATE
<i>V. A. Galt</i>	3/2/69
ENG.	DATE
<i>E. L. Loring</i>	2-17-70
PROD.	DATE

TRANSISTOR & DIODE CONVERSION CHART			
DEC		EIA	
D672	IN3653		
MR2064	IN4001		
2N3715	NONE		
2N4923	NONE		
DEC6534B	MPS6534		

digital
 EQUIPMENT CORPORATION
 MAYNARD, MASSACHUSETTS

TITLE				DUAL MOTOR VOLTAGE CONTROL G847			
SIZE	CODE	NUMBER		REV.			
B	CS	G847-0-1		A			
PRINTED CIRCUIT REV.							C

THIS SCHEMATIC IS FURNISHED ONLY FOR TEST AND MAINTENANCE PURPOSES. THE CIRCUITS ARE PROPRIETARY IN NATURE AND SHOULD BE TREATED ACCORDINGLY. COPYRIGHT 1969 BY DIGITAL EQUIPMENT CORPORATION.



UNLESS OTHERWISE INDICATED:
 RESISTORS ARE 1/4W, 5%
 DIODES ARE D672
 TRANSISTORS ARE 2N4923
 [] INDICATES SOCKET PIN
 AT HANDLE END OF CARD

REVISIONS	CHK'D	ENG'G	PROD.
1	00001	A	
2	00002	B	
3	00003	C	
4	00004	D	
5	00005	E	
6	00006	F	

DEC FORM NO. DRC 102

499-DR

DRN <i>Billy</i>	DATE 12-2-68
CHK'D <i>Ryan</i>	DATE 12-9-68
ENG'G <i>E. L. 4</i>	DATE 4/3/70
PROD.	DATE

TRANSISTOR & DIODE CONVERSION CHART			
DEC	EIA	DEC	EIA
D672	1N4953	2N4920	SAME
1N4901	SAME	2N4923	SAME
1N4997	SAME	MPS6531	SAME
DEC3715	SAME	DEC6534D	MPS6534
2N3791	SAME		

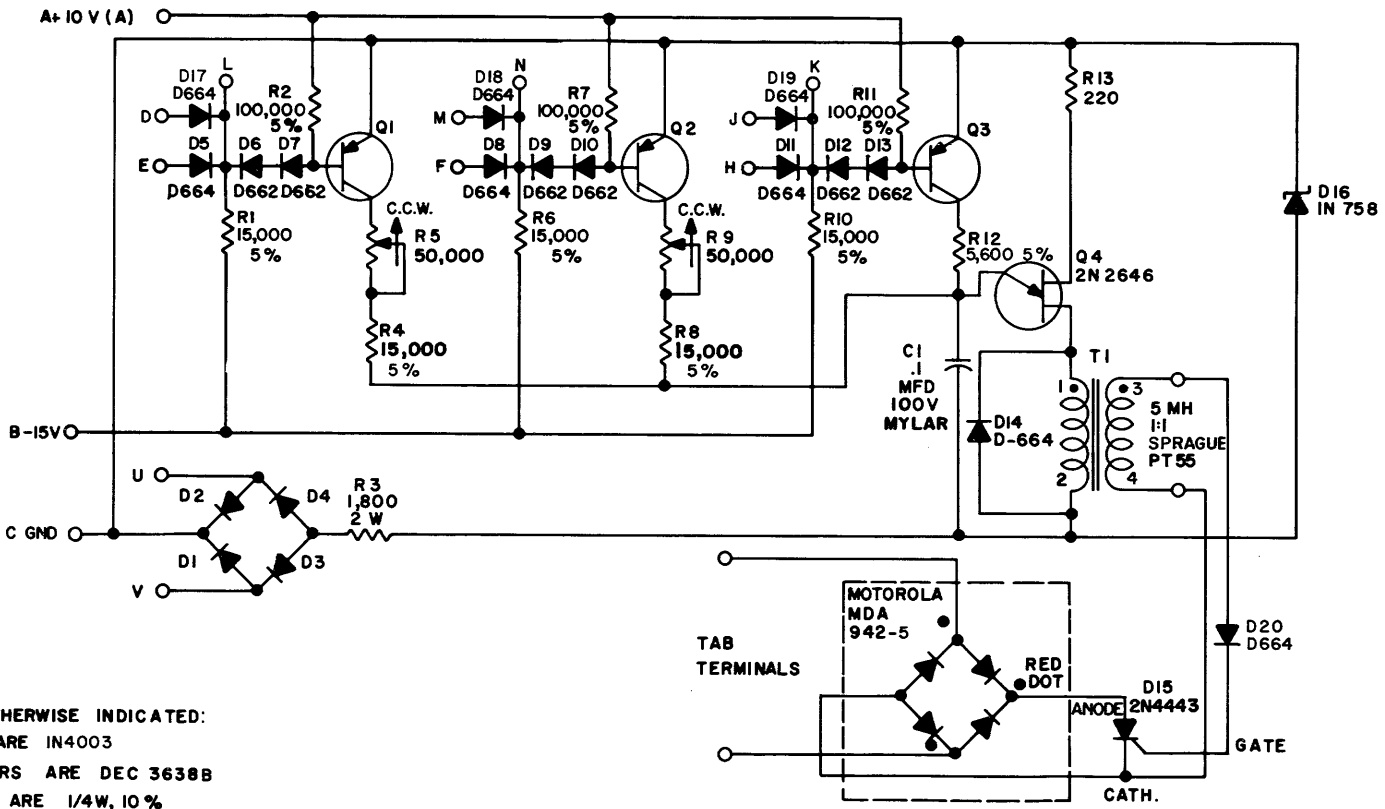
digital		TITLE MOTOR CONTROL G848	
EQUIPMENT CORPORATION		SIZE C	CODE CS
MAYNARD, MASSACHUSETTS		NUMBER G848-0-1	REV F
PRINTED CIRCUIT REV.		L	

4 DIST 324 434 435 PINK

REV. F
 NUMBER G848-0-1
 SIZE CODE C CS

B CS 6850-0-1
 REV. P

THIS SCHEMATIC IS FURNISHED ONLY FOR TEST AND MAINTENANCE PURPOSES. THE CIRCUITS ARE PROPRIETARY IN NATURE AND SHOULD BE TREATED ACCORDINGLY. COPYRIGHT 1965 BY DIGITAL EQUIPMENT CORPORATION



UNLESS OTHERWISE INDICATED:
 DIODES ARE IN4003
 TRANSISTORS ARE DEC 3638B
 RESISTORS ARE 1/4W, 10%
 R5 & R9 ARE #275P

REV.	CHG. NO.	REV.
1	5286	3
2	5358	D
3	5420	E
4	5508	F
5	5588	J
6	5365	K
7	6469	L
8	6818	N
9	00001	P

DRN. I. HAHN	DATE 5-3-65
CHK'D R. SILVERMAN	DATE 5-14-65
ENG. D. WARDIMON	DATE 5-13-65
PROD. D. WARDIMON	DATE 5-13-65

TRANSISTOR & DIODE CONVERSION CHART			
DEC		EIA	
DEC 3638	2N3638	IN758	IN758
2N2646	2N2646	2N4443	SAME
D662	IN645		
D664	IN3606		
IN4003	IN4003		

digital
 EQUIPMENT CORPORATION
 MAYNARD, MASSACHUSETTS

TITLE		S.C.R.	
MOTOR DRIVER G850			
SIZE	CODE	NUMBER	REV.
B	CS	6850-0-1	P
PRINTED CIRCUIT REV.			E H J K L

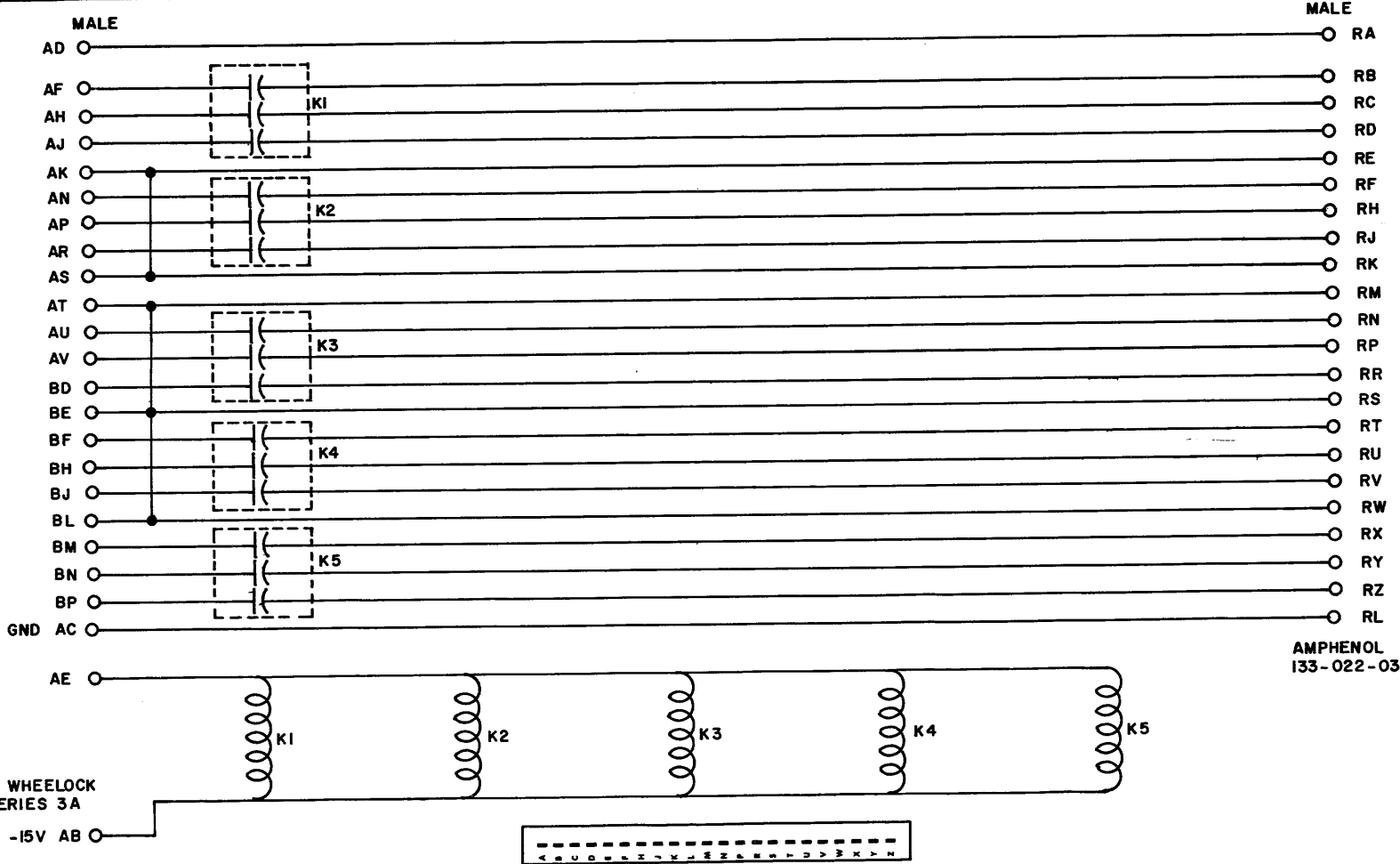
DEC FORM NO. DRB 102

PINK 5
 DIST. 324 434 435

↓

B	1-0-1989	CS	B
REV.	NUMBER	CODE	SIZE

THIS SCHEMATIC IS FURNISHED ONLY FOR TEST AND MAINTENANCE PURPOSES. THE CIRCUITS ARE PROPRIETARY IN NATURE AND SHOULD BE TREATED ACCORDINGLY. COPYRIGHT 1965 BY DIGITAL EQUIPMENT CORPORATION



NOTE:
RELAYS ARE WHEELLOCK
REED, 260 SERIES 3A
12V DC

-15V AB

← 0 1 2 3 4 5 6 7 8 9 A B C D E F G H I J K L M N O P Q R S T U V W X Y Z a b c d e f g h i j k l m n o p q r s t u v w x y z →

REVISIONS	CHK/CHG NO. REV.
	DAW 4813 1
	REV. & REDR.
	DAW 5196 B

DRN. H.W. PORTER	DATE 1-13-65
CHK'D N. PERRYMAN	DATE 1-25-65
ENG. D. WARDIMAN	DATE 1-25-65
PROD.	DATE

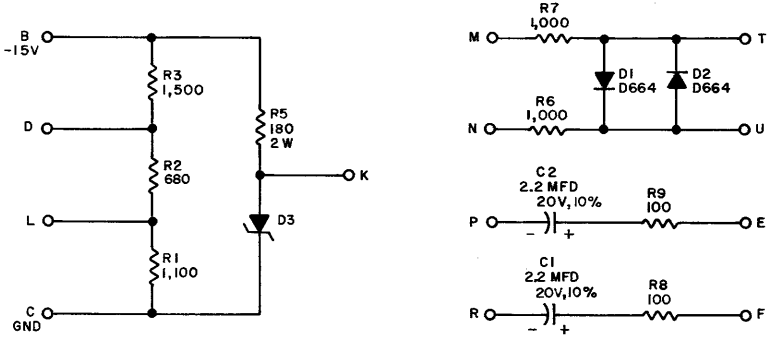
TRANSISTOR & DIODE CONVERSION CHART			
DEC	EIA	DEC	EIA

digital
EQUIPMENT
CORPORATION
MAYNARD, MASSACHUSETTS

SIZE B	CODE CS	NUMBER G851-0-1	REV. B
PRINTED CIRCUIT REV.			B

SIZE CODE NUMBER REV
B CS G853-0-1 A

THIS SCHEMATIC IS FURNISHED ONLY FOR TEST AND MAINTENANCE PURPOSES. THE CIRCUITS ARE PROPRIETARY IN NATURE AND SHOULD BE TREATED ACCORDINGLY. COPYRIGHT 1967 BY DIGITAL EQUIPMENT CORPORATION



UNLESS OTHERWISE INDICATED:
RESISTORS ARE 1/4W, 5%
D3= IN758A

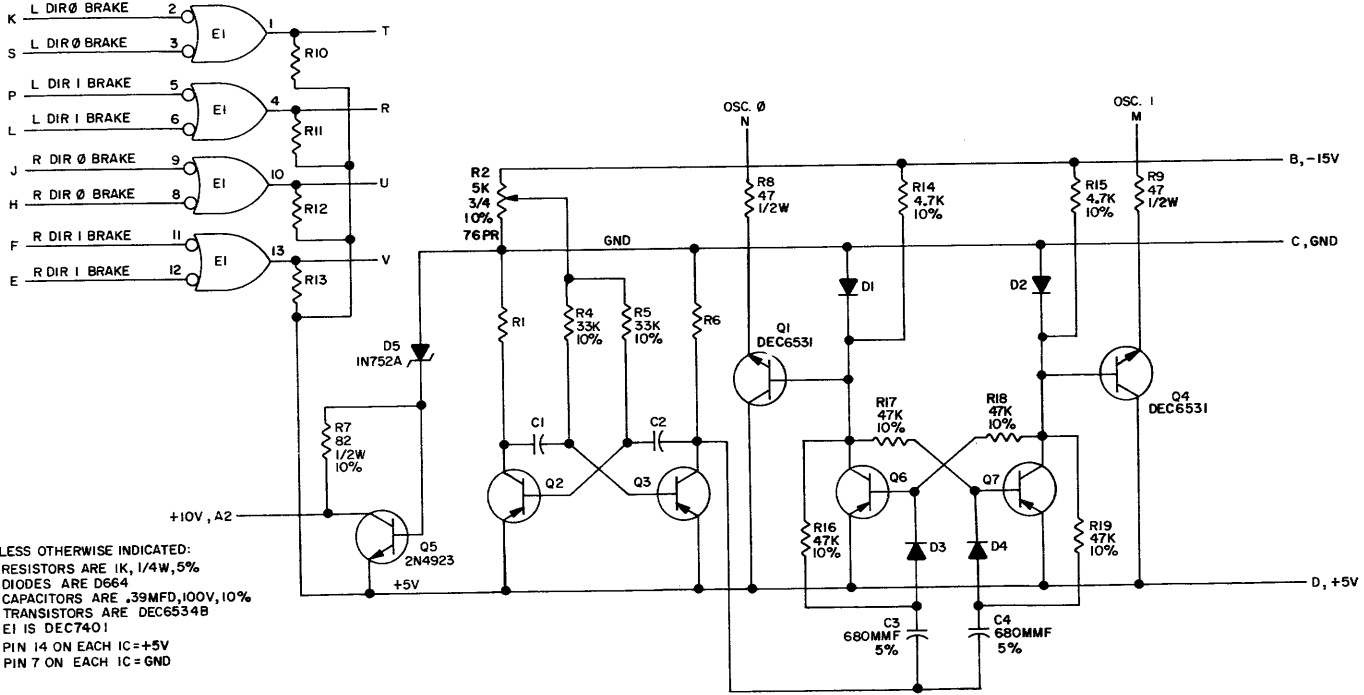
REVISIONS CHK CHG NO. REV. A 00001	DRN <i>M. Keller</i>	DATE 7-5-67	TRANSISTOR & DIODE CONVERSION CHART				digital EQUIPMENT CORPORATION MAYNARD, MASSACHUSETTS	TITLE MOTION & SELECTION CIRCUIT G853			
	CHK'D <i>[Signature]</i>	DATE 11/11	DEC	EIA	DEC	EIA		SIZE B	CODE CS	NUMBER G853-0-1	REV. A
	ENG <i>[Signature]</i>	DATE 7/1/68	D664	IN3606							
	PROD.	DATE	IN758A	SAME							
DEC FORM NO. DRB 102							PRINTED CIRCUIT REV. A				

DIST 324.434 53 PINK

↓

B	1-0-6859	CS	B
REV.	NUMBER	CODE	SIZE

THIS SCHEMATIC IS FURNISHED ONLY FOR TEST AND MAINTENANCE PURPOSES. THE CIRCUITS ARE PROPRIETARY IN NATURE AND SHOULD BE TREATED ACCORDINGLY. COPYRIGHT 1969 BY DIGITAL EQUIPMENT CORPORATION.



UNLESS OTHERWISE INDICATED:
 RESISTORS ARE 1K, 1/4W, 5%
 DIODES ARE D664
 CAPACITORS ARE .39MFD, 100V, 10%
 TRANSISTORS ARE DEC6534B
 EI IS DEC7401
 PIN 14 ON EACH IC = +5V
 PIN 7 ON EACH IC = GND

REVISIONS	CHK	CHG	NO.	REV.

DEC FORM NO. DRB 102

MS 47 7

DRN: BUTLER
 DATE: 11/3/69
 CHK'D: [Signature]
 DATE: 11/24/69
 ENG: [Signature]
 DATE: 12/1/69
 PROD: [Signature]

TRANSISTOR & DIODE CONVERSION CHART			
DEC	EIA	DEC	EIA
D664	IN3606		
DEC6534B	MPS6534B		
DEC6531	MPS6531		
2N4923	SAME		

digital
 EQUIPMENT CORPORATION
 MAYNARD, MASSACHUSETTS

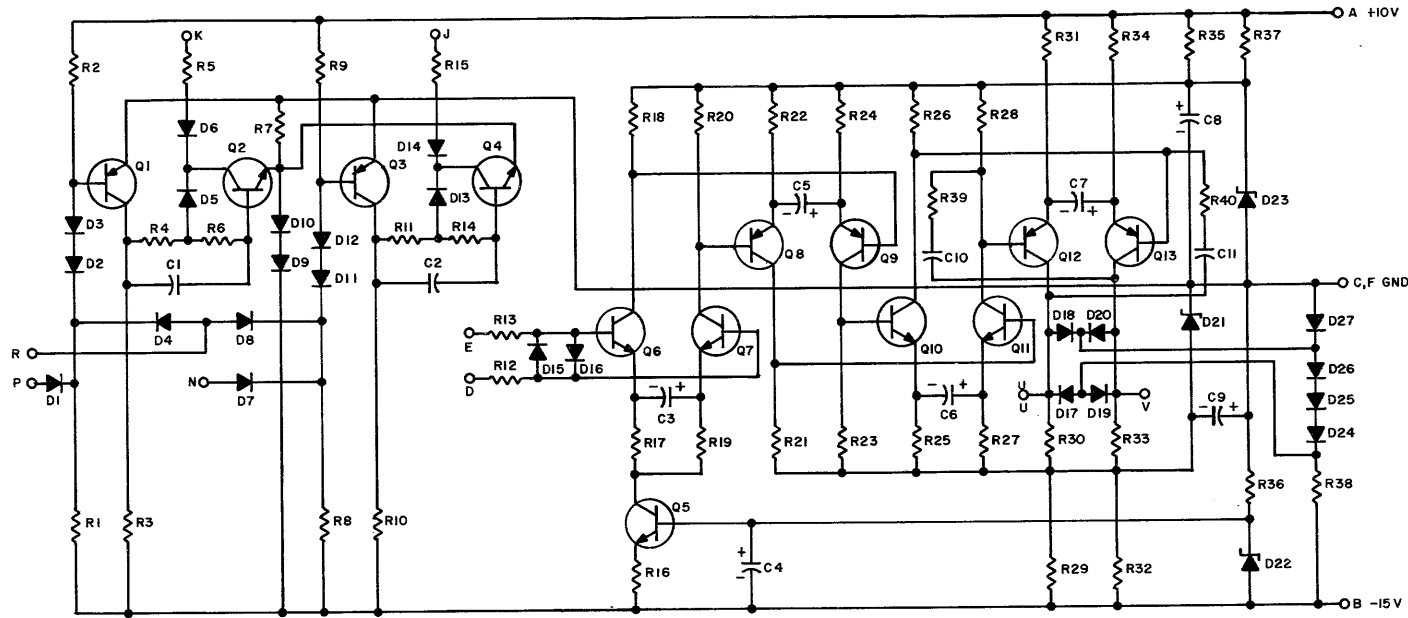
TITLE: CLOCK & REGULATOR G859
 SIZE: B CODE: CS NUMBER: G859-0-1 REV: B
 PRINTED CIRCUIT REV: A

DIST. 3/24, 134,435 3

↑

5 PINK

THIS SCHEMATIC IS FURNISHED ONLY FOR TEST AND MAINTENANCE PURPOSES. THE CIRCUITS ARE PROPRIETARY IN NATURE AND SHOULD BE TREATED ACCORDINGLY. COPYRIGHT 1966 BY DIGITAL EQUIPMENT CORPORATION



Q8, Q9, Q12, Q13	TRANSISTOR DEC3638B	1502979
Q6, Q7, Q10, Q11	TRANSISTOR DEC3009B-S	1503100
Q5	TRANSISTOR DEC3009A-S	1501999
Q2, Q4	TRANSISTOR DEC3500-S	1503209
Q1, Q3	TRANSISTOR DEC2894-3B-S	1503099
R39	RES. 120 1/4W 5% CC	1300247
R36, R38	RES. 470 1/2W 10% CC	1300318
R30, R33	RES. 3K 1/4W 5% CC	1300432
R17 THRU R21, R23, R25 THRU R28,	RES. 220 1/4W 5% CC	1300271
R12, R13	RES. 560 1/4W 5% CC	1301890
R6, R14, R35, R37	RES. 68 2W 5% CC	1302308
R5, R15	RES. 750 1/4W 5% CC	1301401
R4, R11	RES. 1.5K 1/4W 5% CC	1300391
R3, R7, R10, R16, R22, R24, R29, R31, R32, R34	RES. 100K 1/4W 5% CC	1302466
R2, R9	RES. 7.5K 1/4W 5% CC	1301422
R1, R8	DIODE 1/4M 6.8AZ	1100102
D23	DIODE IN748 3.9V	1100121
D22	DIODE IN756A 8.2V	1103441
D21	DIODE D670	1102182
D5, D6, D13, D14	DIODE D662	1100113
D2, D3, D11, D12, D24 THRU D27	DIODE D664	1100114
D1, D4, D7 THRU D10, D15 THRU D20	CAP. 1.200MMF 100V 5% D.M.	1002430
C10, C11	CAP. 2.2MFD 20V 10%	1002627
C5	CAP. 3.9MFD 10V 10% S.TANT	1000064
C4, C6, C7, C8, C9	CAP. .47MFD 20V 10% S.TANT	1005965
C3	CAP. 680MMF 100V 5% D.M.	1000026
C1, C2	PARTS LIST	A-PL-6882-O-0
	REFERENCE DESIGNATION	DESCRIPTION
		PART NO.

REV.	CHG NO.	REV.
3	6888	3
2	6888	2
1	6888	1

DRN.	DATE	TRANSISTOR & DIODE CONVERSION CHART
A. OUELLETTE	2-4-66	DEC EIA
CHK'D	DATE	DEC EIA
R. SILVERMAN	2-9-66	DEC3638B 2N3638 D662 IN645
ENG.	DATE	D664 IN3606
R. SOOBE	2-9-66	DEC3009B 2N3009 D670 IN3653
PROD.	DATE	1/4M 6.8AZ IN4099
		DEC3500 2N3500 IN756A SAME
		DEC2894-3B NONE IN748 SAME

DRN.	DATE	TRANSISTOR & DIODE CONVERSION CHART
A. OUELLETTE	2-4-66	DEC EIA
CHK'D	DATE	DEC EIA
R. SILVERMAN	2-9-66	DEC3638B 2N3638 D662 IN645
ENG.	DATE	D664 IN3606
R. SOOBE	2-9-66	DEC3009B 2N3009 D670 IN3653
PROD.	DATE	1/4M 6.8AZ IN4099
		DEC3500 2N3500 IN756A SAME
		DEC2894-3B NONE IN748 SAME

digital TITLE MANCHESTER READER
EQUIPMENT CORPORATION NUMBER
CORPORATION G882-0-1 REV. D
MAYNARD, MASSACHUSETTS
PRINTED CIRCUIT REV. B

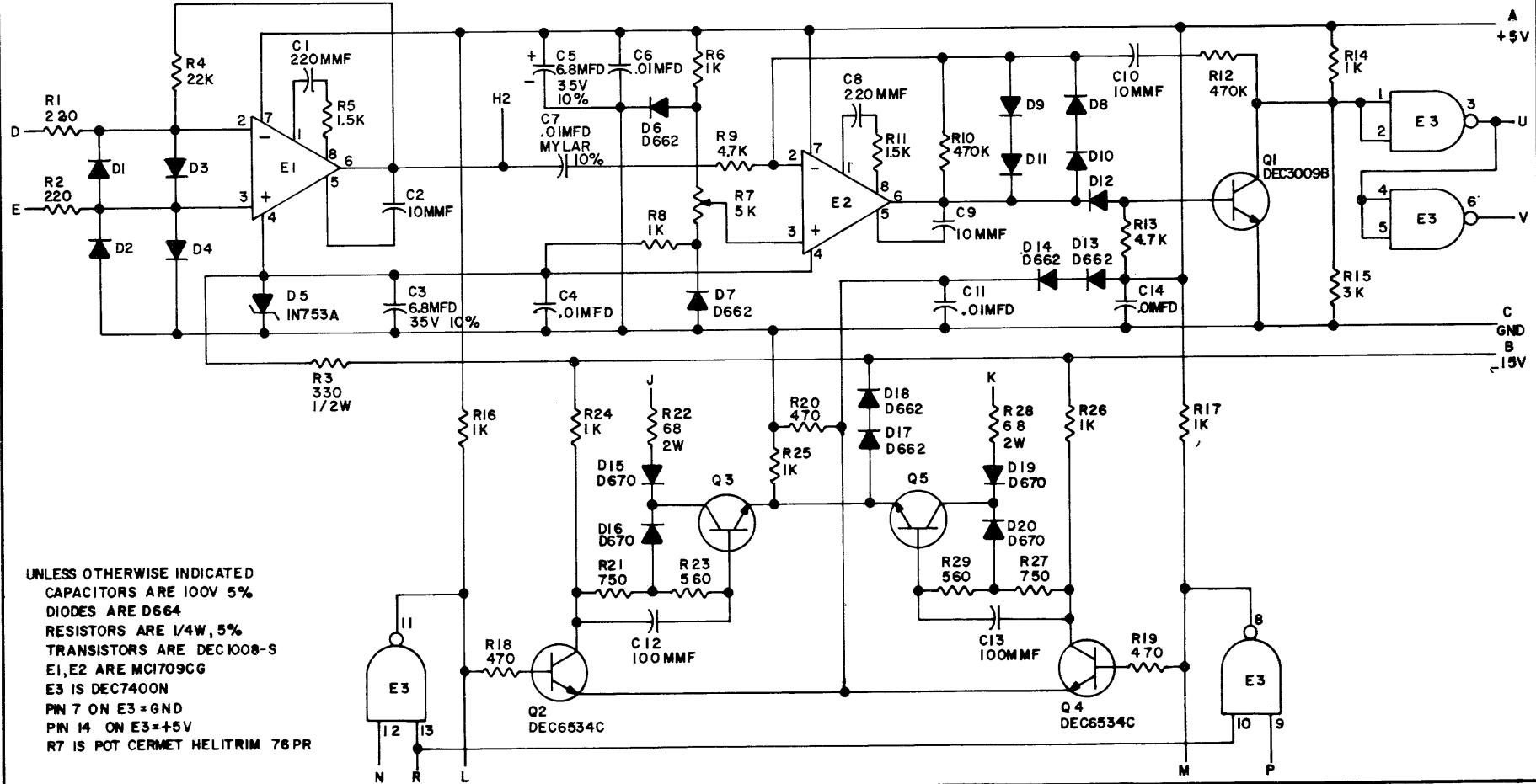
DEC FORM NO. DRC 102

P1NK DIST: 324 434 435 789

REV. D
SEE CODE NUMBER
G882-O-1

REV. NUMBER 1-0-8889 CS B SIZE

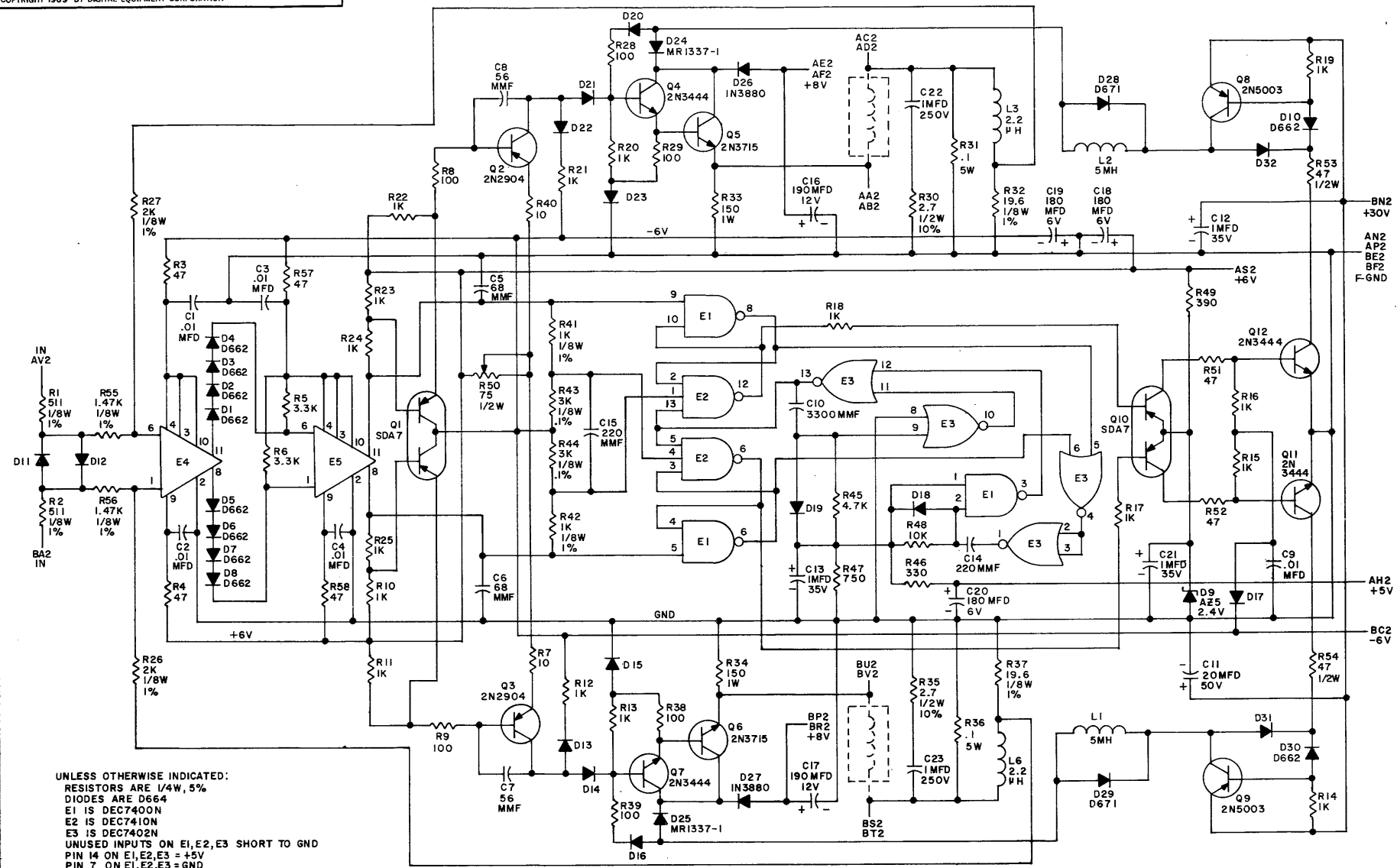
THIS SCHEMATIC IS FURNISHED ONLY FOR TEST AND MAINTENANCE PURPOSES. THE CIRCUITS ARE PROPRIETARY IN NATURE AND SHOULD BE TREATED ACCORDINGLY. COPYRIGHT 1969 BY DIGITAL EQUIPMENT CORPORATION



UNLESS OTHERWISE INDICATED
 CAPACITORS ARE 100V 5%
 DIODES ARE D664
 RESISTORS ARE 1/4W, 5%
 TRANSISTORS ARE DEC1008-S
 E1, E2 ARE MC1709CG
 E3 IS DEC7400N
 PIN 7 ON E3 = GND
 PIN 14 ON E3 = +5V
 R7 IS POT CERMET HELITRIM 76 PR

REVISIONS CHK CHG NO. REV.	DRN. <i>J. Blum</i> 5-29-69	DATE 5-29-69	TRANSISTOR & DIODE CONVERSION CHART		 digital EQUIPMENT CORPORATION MAYNARD, MASSACHUSETTS	TITLE	MANCHESTER READER/WRITER G888				
	CHK'D. <i>J. Blum</i> 7/3/69	DATE 7/3/69	DEC	EIA		DEC	EIA	SIZE	CODE	NUMBER	REV.
	ENG. <i>J. Blum</i> 7/2/69	DATE 7/2/69	D664	IN3606		DEC1008-S	MM1008	B	CS	G888-0-1	
	PROD.	DATE	D670	SAME							
			DEC3009B	2N3009B							
			DEC6534C	MP6534							

THIS SCHEMATIC IS FURNISHED ONLY FOR TEST AND MAINTENANCE PURPOSES. THE CIRCUITS ARE PROPRIETARY IN NATURE AND SHOULD BE TREATED ACCORDINGLY. COPYRIGHT 1969 BY DIGITAL EQUIPMENT CORPORATION.



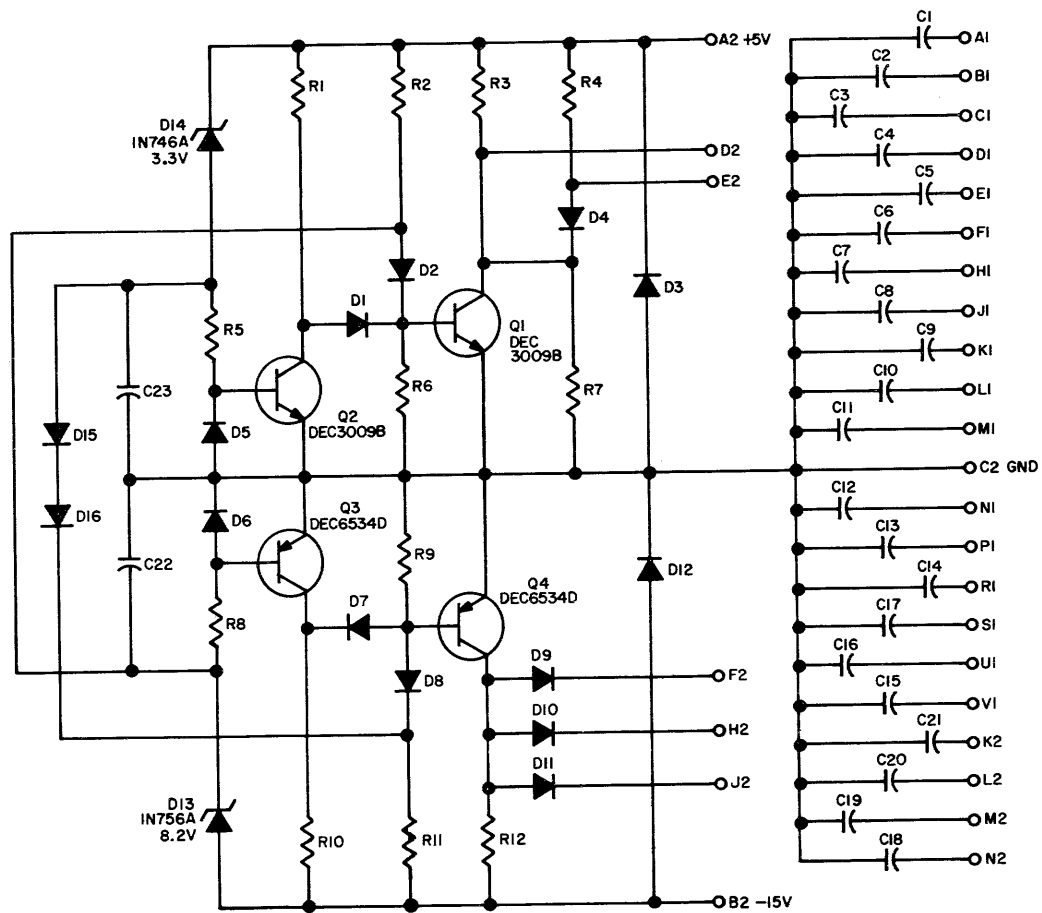
UNLESS OTHERWISE INDICATED:
 RESISTORS ARE 1/4W, 5%
 DIODES ARE D664
 E1 IS DEC7400N
 E2 IS DEC7410N
 E3 IS DEC7402N
 UNUSED INPUTS ON E1, E2, E3 SHORT TO GND
 PIN 14 ON E1, E2, E3 = +5V
 PIN 7 ON E1, E2, E3 = GND
 E4, E5 ARE CA3001
 DEFLECTION YOKE IS SHOWN DOTTED
 PINS AE2, AF2 ARE CONNECTED TO BP2, BR2
 WHEN BOARD IS PLUGGED INTO UNIT

REV. NUMBER
 C CS G912-0-1

REV. NO. DATE	OR. DATE	TRANSISTOR & DIODE CONVERSION CHART				TITLE DEFLECTION AMPLIFIER G912
		DEC	EIA	DEC	EIA	
CHK'D DATE	DATE	D662	IN645	2N3715	NONE	SIZE CODE NUMBER C CS G912-0-1
ENG'D DATE	DATE	D664	IN3606	SDA 7	SAME	
PRO. DATE	DATE	D671	IN3653	2N3444	NONE	PRINTED CIRCUIT REV. B
		PRO. DATE		IN3880	SAME	
				MR1337-1	NONE	

REV. NUMBER 1-0-916-0-1 B CS 8

THIS SCHEMATIC IS FURNISHED ONLY FOR TEST AND MAINTENANCE PURPOSES. THE CIRCUITS ARE PROPRIETARY IN NATURE AND SHOULD BE TREATED ACCORDINGLY. COPYRIGHT 1969 BY DIGITAL EQUIPMENT CORPORATION



UNLESS OTHERWISE INDICATED:
 DIODES ARE D664
 CAPACITORS ARE .01MFD
 RESISTORS ARE 2K, 1/4W, 5%

REV. NO.	CHG. NO.	REV.

DRN. BUTLER	DATE 4/29/69
CHK'D M. Mansfield	DATE 5-5-69
ENG. R. Schweitzer	DATE 6/16/69
PRD. R. Schweitzer	DATE 6/16/69

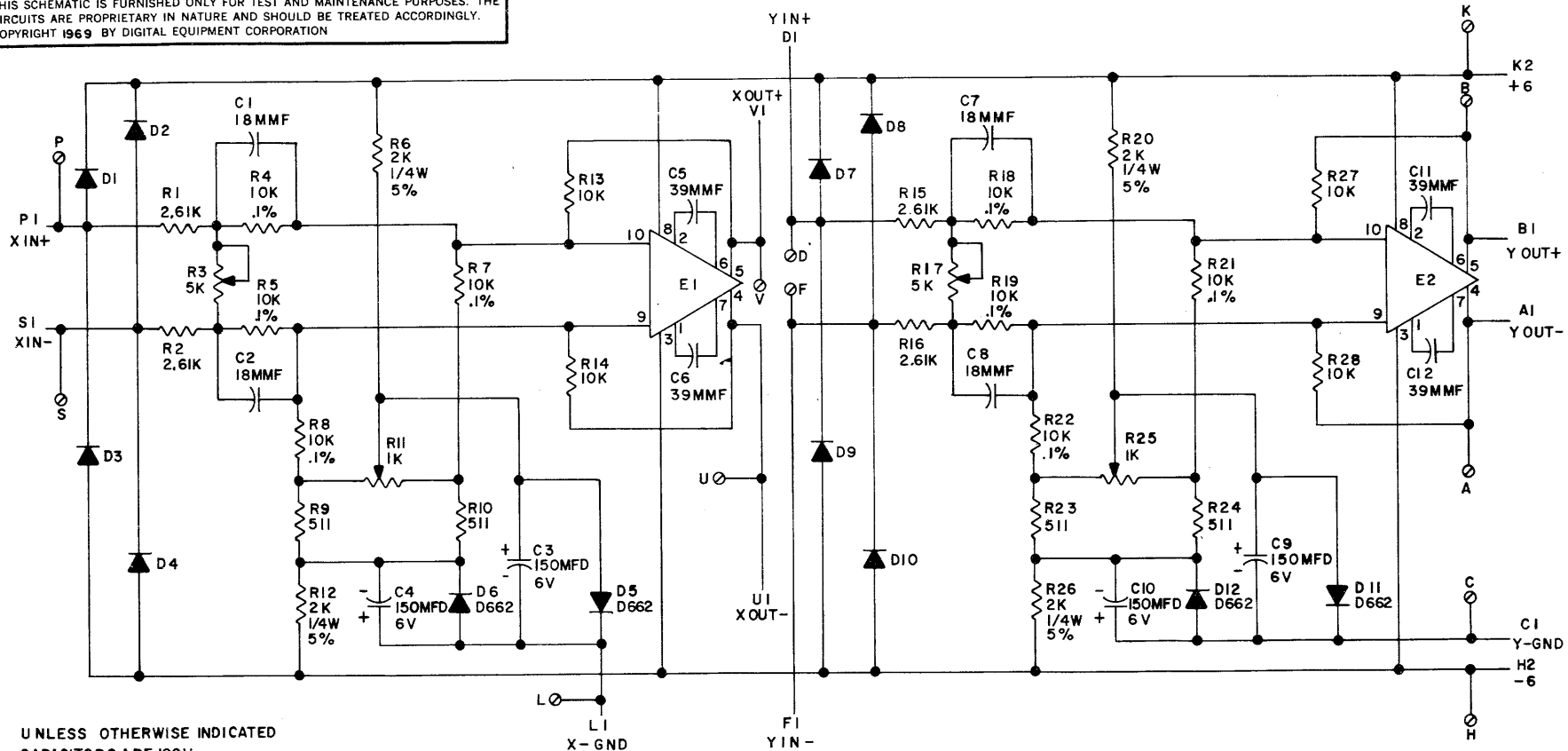
TRANSISTOR & DIODE CONVERSION CHART			
DEC	EIA	DEC	EIA
DEC3009B	2N3009B		
DEC6534D	MP56534		
D664	IN3606		

digital
 EQUIPMENT CORPORATION
 MAYNARD, MASSACHUSETTS

TITLE POWER DETECTOR AND SWITCH FILTER G916			
SIZE B	CODE CS	NUMBER G916-0-1	REV. A
PRINTED CIRCUIT REV. A			

REV. NUMBER G917-0-1

THIS SCHEMATIC IS FURNISHED ONLY FOR TEST AND MAINTENANCE PURPOSES. THE CIRCUITS ARE PROPRIETARY IN NATURE AND SHOULD BE TREATED ACCORDINGLY. COPYRIGHT 1969 BY DIGITAL EQUIPMENT CORPORATION



UNLESS OTHERWISE INDICATED
 CAPACITORS ARE 100V
 DIODES ARE D 664
 E1, E2 ARE MC1520G OP-AMP
 R3, R17 ARE ASM 6666
 R11, R25 ARE ASM 6664
 RESISTORS ARE 1/8W, 1%

REVISIONS	CHK	CHG	NO.	REV.

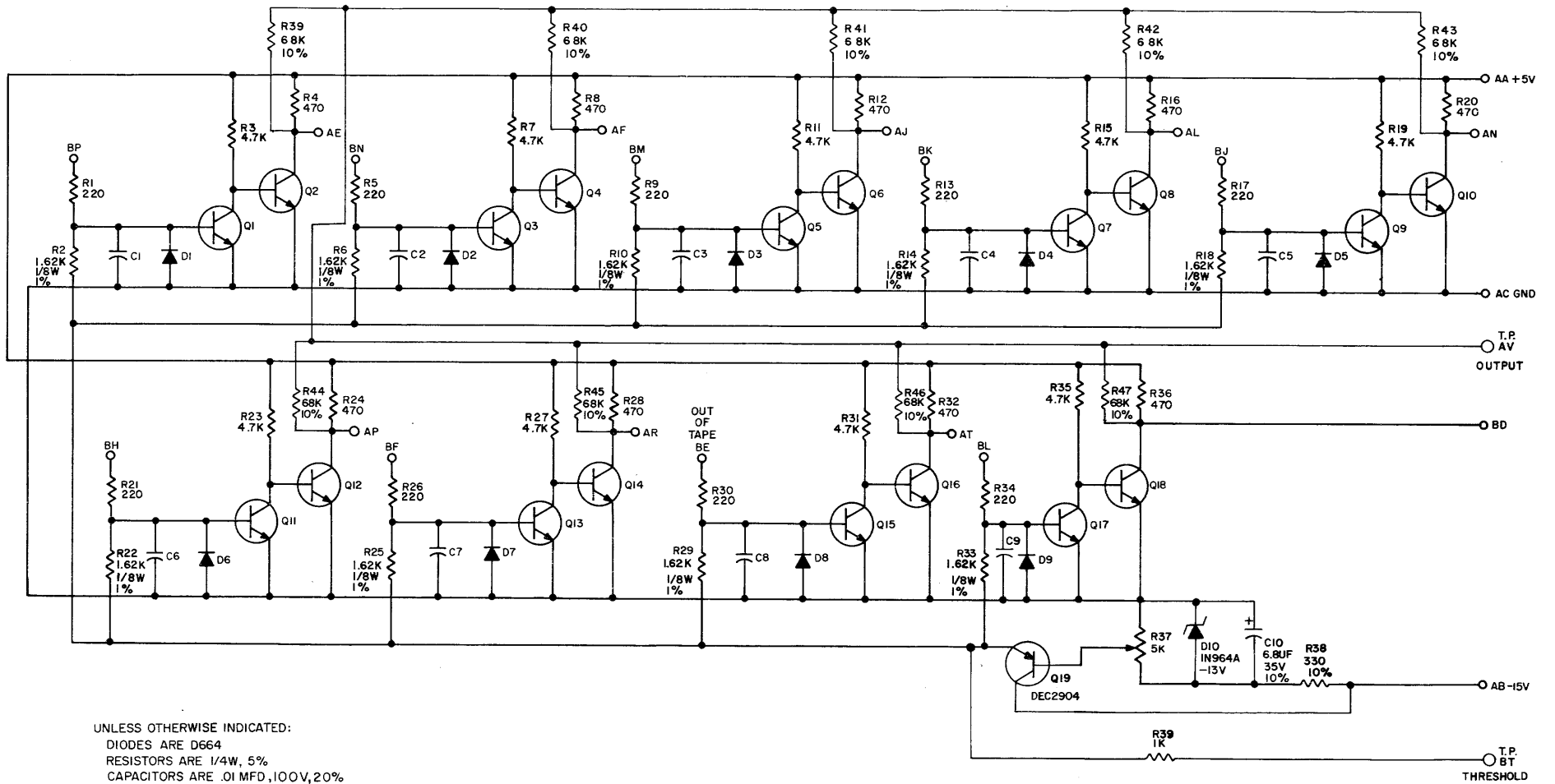
DRN <i>S. Brown</i>	DATE 6-6-68
CHK'D <i>M. M. M. M.</i>	DATE 6-12-67
ENG.	DATE
PROD <i>S. Brown</i>	DATE 8-7-69

TRANSISTOR & DIODE CONVERSION CHART			
DEC	EIA	DEC	EIA
D 662	1N645		
D 664	1N3606		

digital
 EQUIPMENT CORPORATION
 MAYNARD, MASSACHUSETTS

TITLE XY-CONTROL G917			
SIZE B	CODE CS	NUMBER G917-0-1	REV.
PRINTED CIRCUIT REV.			A

THIS SCHEMATIC IS FURNISHED ONLY FOR TEST AND MAINTENANCE PURPOSES. THE CIRCUITS ARE PROPRIETARY IN NATURE AND SHOULD BE TREATED ACCORDINGLY. COPYRIGHT 1969 BY DIGITAL EQUIPMENT CORPORATION



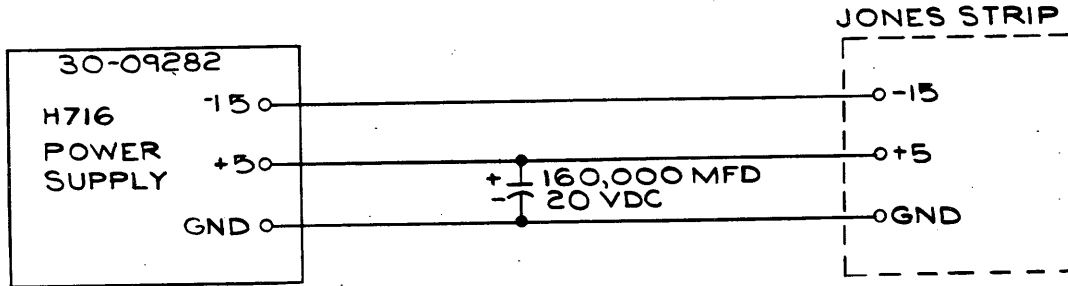
UNLESS OTHERWISE INDICATED:
 DIODES ARE D664
 RESISTORS ARE 1/4W, 5%
 CAPACITORS ARE .01 MFD, 100V, 20%
 TRANSISTORS ARE 2N3646
 ○ INDICATES TEST POINT

REV. B
 NUMBER G918-0-1
 SIZE C CS

REVISIONS CHK CHG NO. REV. A 00001 00002 00003 B	ORN. <i>Rautler</i> DATE <i>4/1/69</i>	TRANSISTOR & DIODE CONVERSION CHART				digital EQUIPMENT CORPORATION MAYNARD, MASSACHUSETTS	TITLE PHOTO TRANSISTOR AMPLIFIER G918	
	CHK'D <i>G. Young</i> DATE <i>4/2/69</i>	DEC 2N3646 EIA 2N3009 D664 IN 3606	DEC IN964A -13V DEC2904	SAME 2N1132	SIZE C CODE CS		NUMBER G918-0-1	REV. B
ENG. <i>R. At-I</i> DATE <i>6/1/69</i>	PROD. DATE	PRINTED CIRCUIT REV. D				DIST. 324,454 J.C.		

REV. NUMBER H719-0-1 CS B SIZE CODE

THIS SCHEMATIC IS FURNISHED ONLY FOR TEST AND MAINTENANCE PURPOSES. THE CIRCUITS ARE PROPRIETARY IN NATURE AND SHOULD BE TREATED ACCORDINGLY. COPYRIGHT BY DIGITAL EQUIPMENT CORPORATION



REVISIONS CHK/CHG NO. REV.	DRN	DATE
	CHK'D	DATE
	ENG.	DATE
	PRD.	DATE

DRN	DATE
CHK'D	DATE
ENG.	DATE
PRD.	DATE

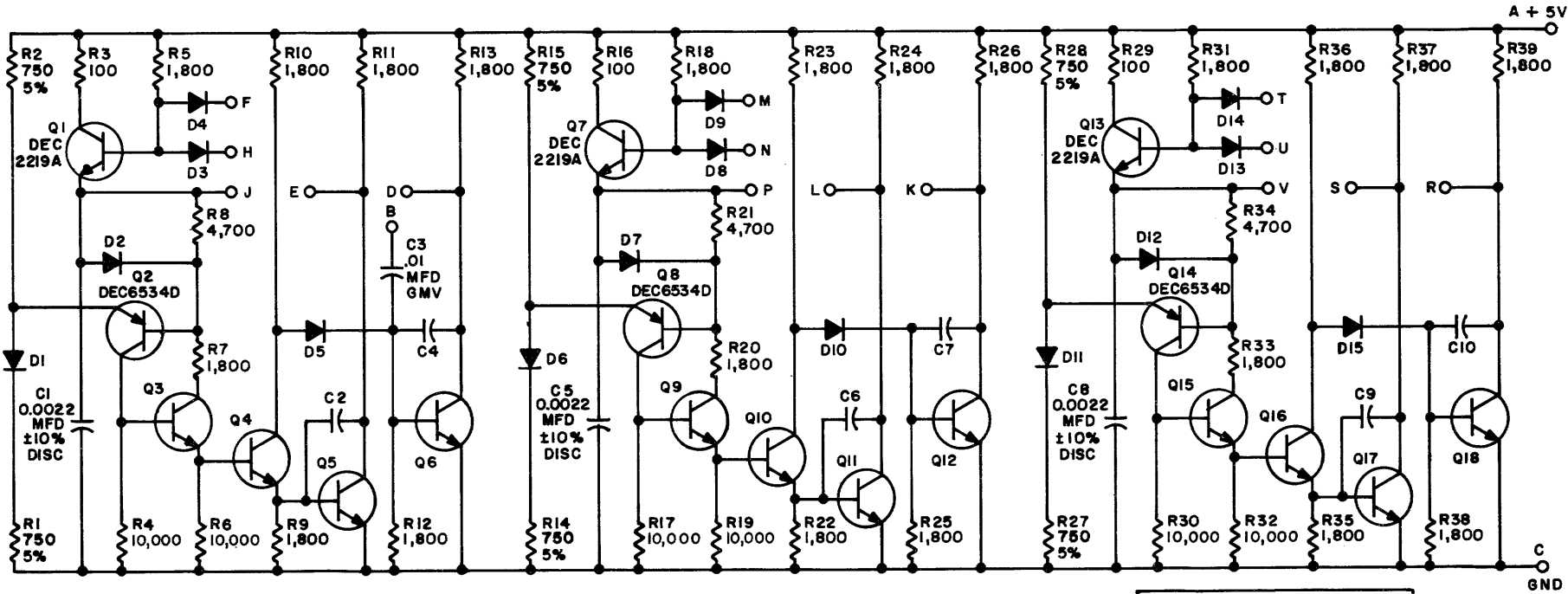
TRANSISTOR & DIODE CONVERSION CHART			
DEC	EIA	DEC	EIA

digital
EQUIPMENT CORPORATION
MAYNARD, MASSACHUSETTS

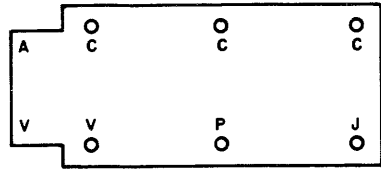
TITLE		H719 P.S.	
SIZE	CODE	NUMBER	REV.
B	CS	H719-0-1	
PRINTED CIRCUIT REV.			

REV C NUMBER K303-0-1 CS B SIZE

THIS SCHEMATIC IS FURNISHED ONLY FOR TEST AND MAINTENANCE PURPOSES. THE CIRCUITS ARE PROPRIETARY IN NATURE AND SHOULD BE TREATED ACCORDINGLY. COPYRIGHT 1967 BY DIGITAL EQUIPMENT CORPORATION



UNLESS OTHERWISE INDICATED:
 TRANSISTORS ARE DECI
 DIODES ARE D600
 RESISTORS ARE 1/4W, 10%
 CAPACITORS ARE 680 MMFD ±10%
 ERIE 309 OR EQUIV.



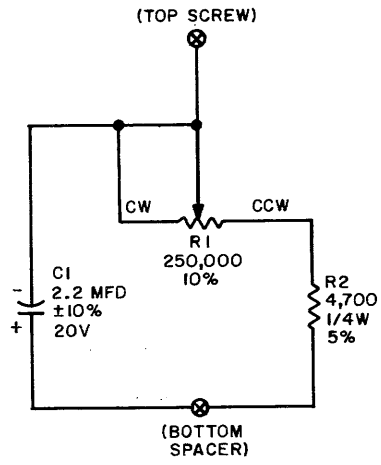
VIEWED FROM ETCHED SIDE

PARTS LIST IS A-PL- K303-0-0

REVISIONS CHK CHG NO. REV. B 00001 C	DRN. Mr. Waller	DATE 4-18-67	TRANSISTOR & DIODE CONVERSION CHART				digital EQUIPMENT CORPORATION MAYNARD, MASSACHUSETTS	TITLE THREE TIMERS K303			
	CHK'D R. Johnson	DATE 9/20/67	DEC	EIA	DEC	EIA		SIZE B	CODE CS	NUMBER K303-0-1	REV. C
	ENG. R. Poon	DATE 4/27/67	DEC1	2N3721				PRINTED CIRCUIT REV. B			
	PROD. I	DATE	DEC6534D	MP86534				DIST. 324,434,435 ³			
			D600	IN4009			PINK				
			DEC2219A	2N2219							

REV.	A	NUMBER	K374-0-1	CS	B
------	---	--------	----------	----	---

THIS SCHEMATIC IS FURNISHED ONLY FOR TEST AND MAINTENANCE PURPOSES. THE CIRCUITS ARE PROPRIETARY IN NATURE AND SHOULD BE TREATED ACCORDINGLY. COPYRIGHT 1967 BY DIGITAL EQUIPMENT CORPORATION



UNLESS OTHERWISE INDICATED:
 R1 IS ALLEN-BRADLEY TSRA2541
 MODIFIED CLOCKWISE LOG TAPER
 C1 IS A SPRAGUE 150D225X9020A2 OR EQUIV.

REVISIONS	CHK/CHG. NO. / REV.		
	AW / 00001 / A		
DRN.	M. Wallen	DATE	5-4-67
CHK'D	K. Selman	DATE	5/5/67
ENG.	D. P. ...	DATE	5/22/67
PROD.		DATE	

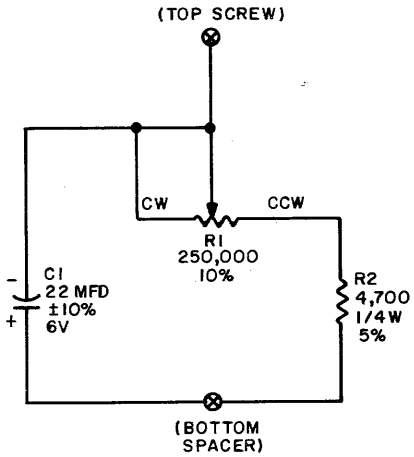
TRANSISTOR & DIODE CONVERSION CHART			
DEC	EIA	DEC	EIA

digital
 EQUIPMENT CORPORATION
 MAYNARD, MASSACHUSETTS

TITLE				CALIBRATED TIMER CONTROL K374	
SIZE	CODE	NUMBER	REV.		
B	CS	K374-0-1	A		
PRINTED CIRCUIT REV.			A	B	C

REV. A
NUMBER K376-0-1
SIZE CODE B
CODE CS

THIS SCHEMATIC IS FURNISHED ONLY FOR TEST AND MAINTENANCE PURPOSES. THE CIRCUITS ARE PROPRIETARY IN NATURE AND SHOULD BE TREATED ACCORDINGLY. COPYRIGHT 1967 BY DIGITAL EQUIPMENT CORPORATION

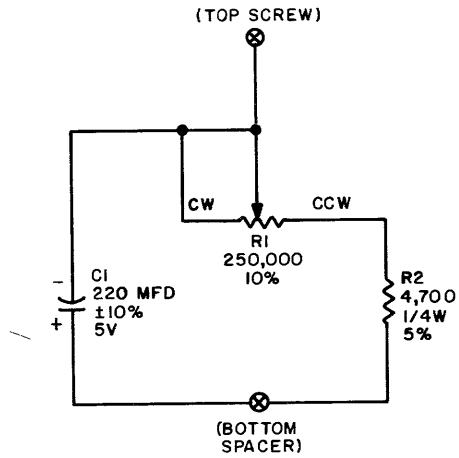


UNLESS OTHERWISE INDICATED:
R1 IS ALLEN-BRADLEY TSRA2541
MODIFIED CLOCKWISE LOG TAPER
C1 IS SPRAGUE 150D226X9006A2 OR EQUIV.

REVISIONS	CHK CHG NO. REV.	DRN.	DATE	TRANSISTOR & DIODE CONVERSION CHART				digital	TITLE CALIBRATED TIMER CONTROL K376		
	00001 A	<i>M. Waller</i>	5-4-67	DEC	EIA	DEC	EIA		SIZE B	CODE CS	NUMBER K376-0-1
		CHK'D	DATE					EQUIPMENT CORPORATION			
		<i>R. Solomon</i>	5/5/67					MAYNARD, MASSACHUSETTS			
		ENG.	DATE					PRINTED CIRCUIT REV. B C			
	<i>R. Pome</i>	5/22/67									
	PROD.	DATE									

REV.	A	NUMBER	K378-0-1	CODE	CS	SIZE	B
------	---	--------	----------	------	----	------	---

THIS SCHEMATIC IS FURNISHED ONLY FOR TEST AND MAINTENANCE PURPOSES. THE CIRCUITS ARE PROPRIETARY IN NATURE AND SHOULD BE TREATED ACCORDINGLY. COPYRIGHT 1967 BY DIGITAL EQUIPMENT CORPORATION



UNLESS OTHERWISE INDICATED:
 R1 IS ALLEN-BRADLEY TSRA2541
 MODIFIED CLOCKWISE LOG TAPER
 CI IS SPRAGUE 130D227X9005F0 OR EQUIV.

REVISIONS	CHK	CHG	NO.	REV.
			00001	A

DRN.	DATE
<i>M. Waller</i>	5-9-67
CHK'D	DATE
<i>R. Schramm</i>	5/15/67
ENG.	DATE
<i>R. Doane</i>	5/22/67
PROD.	DATE

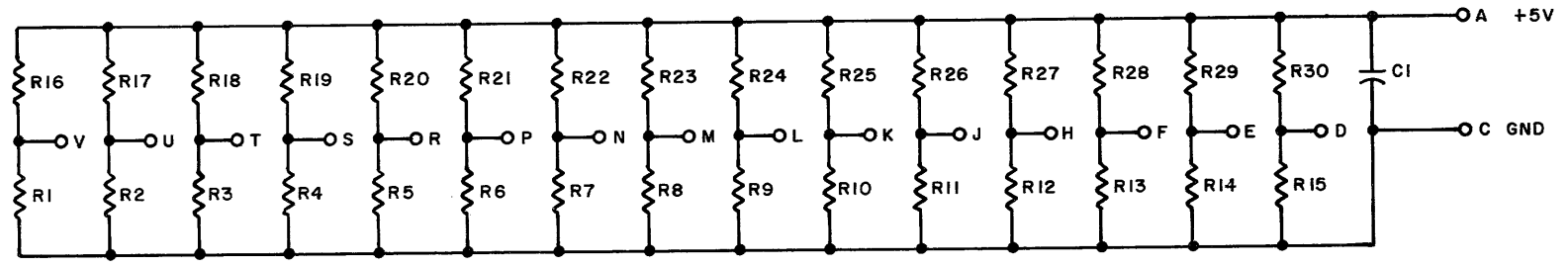
TRANSISTOR & DIODE CONVERSION CHART			
DEC	EIA	DEC	EIA

digital
 EQUIPMENT CORPORATION
 MAYNARD, MASSACHUSETTS

TITLE				CALIBRATED TIMER CONTROL K378			
SIZE	CODE	NUMBER		REV.			
B	CS	K378-0-1		A			
PRINTED CIRCUIT REV.							B C

REV. NUMBER MO02-0-1 CS B SIZE

THIS SCHEMATIC IS FURNISHED ONLY FOR TEST AND MAINTENANCE PURPOSES. THE CIRCUITS ARE PROPRIETARY IN NATURE AND SHOULD BE TREATED ACCORDINGLY. COPYRIGHT 1968 BY DIGITAL EQUIPMENT CORPORATION



 <----->

R16 - R30	RES. 1.8K 1/4W 10% CC	1301428
R1 - R15	RES. 3.3K 1/4W 5% CC	1300439
C1	CAP. .01MFD 100V 20% DISC	1001610
	PARTS LIST	A-PL-MO02-0-0
REFERENCE DESIGNATION	DESCRIPTION	PART NO.
PARTS LIST		

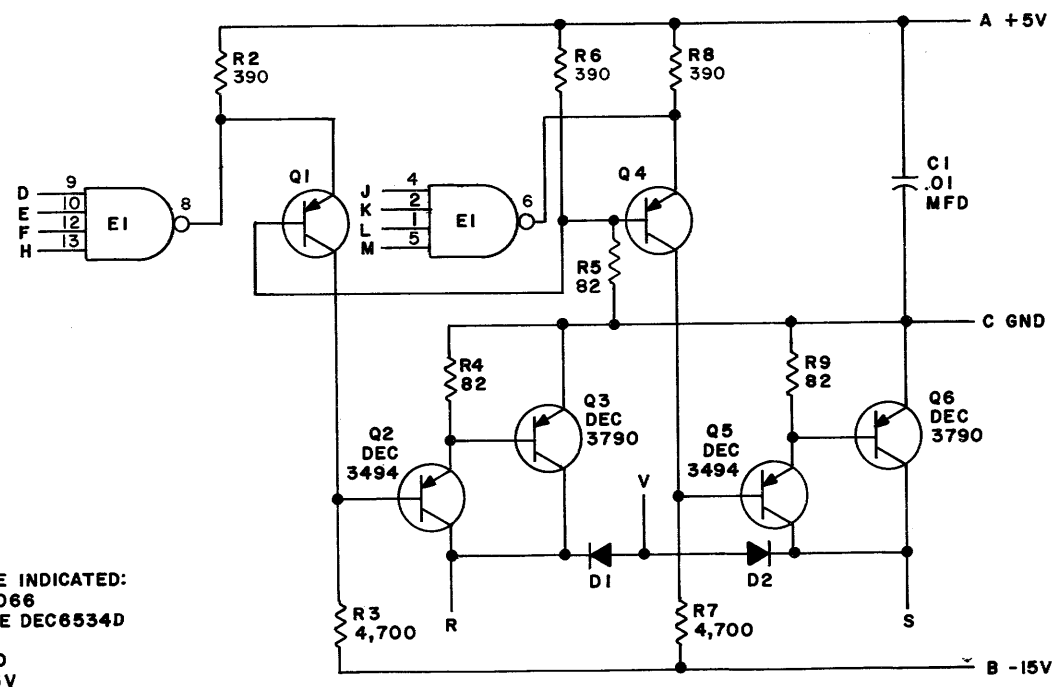
REVISIONS CHK/ CHG NO. / REV.	DRN <i>M. Walker</i>	DATE 6-21-68	TRANSISTOR & DIODE CONVERSION CHART				digital EQUIPMENT CORPORATION MAYNARD, MASSACHUSETTS	TITLE 15 LOADS MO02			
	CHK'D <i>M. Walker</i>	DATE 6/26/68	DEC	EIA	DEC	EIA		SIZE B	CODE CS	NUMBER MO02-0-1	REV.
	ENG. <i>White</i>	DATE 7/9/68						PRINTED CIRCUIT REV. A			
	PROD.	DATE									

PINK

DIST. 324 4/31 435

REV. E
 NUMBER M040-0-1
 SIZE B
 CODE CS

THIS SCHEMATIC IS FURNISHED ONLY FOR TEST AND MAINTENANCE PURPOSES. THE CIRCUITS ARE PROPRIETARY IN NATURE AND SHOULD BE TREATED ACCORDINGLY. COPYRIGHT 1967 BY DIGITAL EQUIPMENT CORPORATION



UNLESS OTHERWISE INDICATED:
 DIODES ARE MR2066
 TRANSISTORS ARE DEC6534D
 EI IS DEC7420N
 PIN 7 ON IC = GND
 PIN 14 ON IC = +5V
 RESISTORS ARE 1/4W, 10%

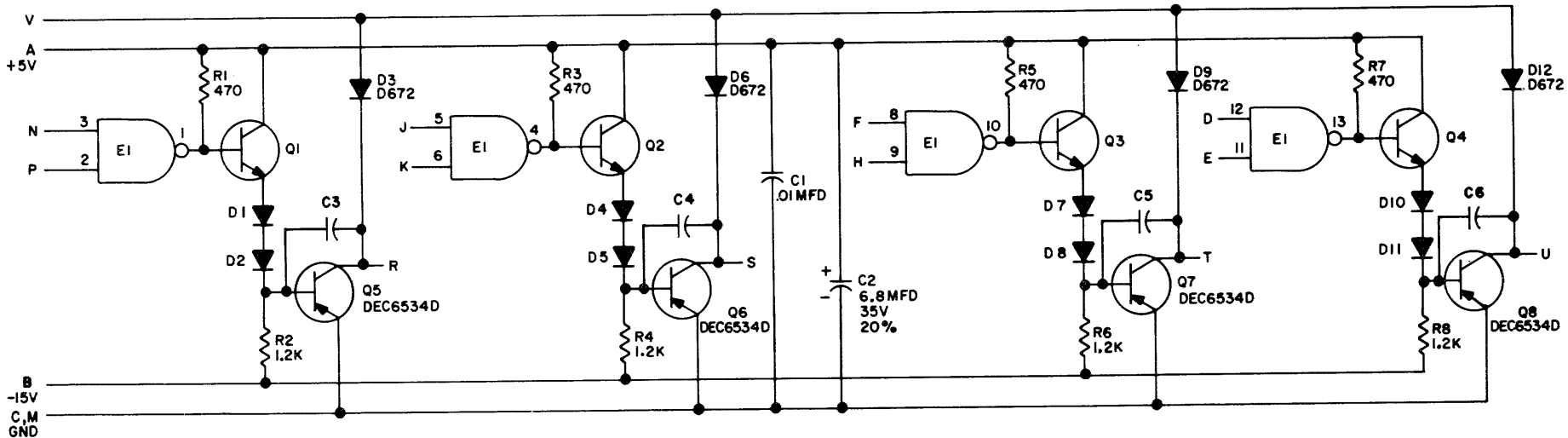
PARTS LIST A-PL-M040-0-0



REVISIONS CHK CHG NO. REV. 0000 E 00002	DRN. <i>M. Haller</i>	DATE 9-14-67	TRANSISTOR & DIODE CONVERSION CHART				digital EQUIPMENT CORPORATION MAYNARD, MASSACHUSETTS	TITLE SOLENOID DRIVER M040		
	CHK'D <i>[Signature]</i>	DATE 7/22/67	DEC	EIA	DEC	EIA		SIZE B	CODE CS	NUMBER M040-0-1
ENG <i>[Signature]</i>	DATE 9/19/67	DATE	DEC3494	SAME			PRINTED CIRCUIT REV.			
PROD. 4	DATE		DEC3790	2N3790			E			
			DEC6534D	MPS6534						
			D662	IN645						
			MR2066	IN4003						

REV. B	NUMBER M044-0-1	SIZE B	CODE CS
--------	-----------------	--------	---------

THIS SCHEMATIC IS FURNISHED ONLY FOR TEST AND MAINTENANCE PURPOSES. THE CIRCUITS ARE PROPRIETARY IN NATURE AND SHOULD BE TREATED ACCORDINGLY. COPYRIGHT 1969 BY DIGITAL EQUIPMENT CORPORATION

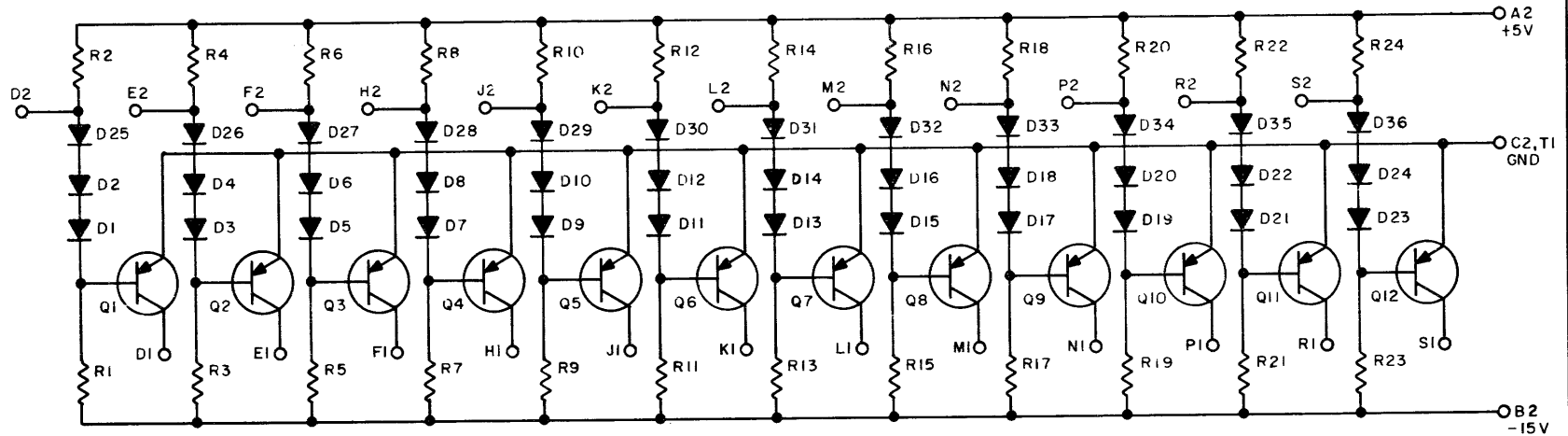


UNLESS OTHERWISE INDICATED:
 RESISTORS ARE 1/4W, 10%
 DIODES ARE D664
 E1 IS DEC7401N
 TRANSISTORS ARE DEC3009B
 PIN 7 ON EACH IC = GND
 PIN 14 ON EACH IC = +5V
 CAPACITORS ARE 100pf, 100V, 5%

REVISIONS CHK CHG NO. REV. 100001 B	DRN. Botick DATE 6/23/69	TRANSISTOR & DIODE CONVERSION CHART				digital EQUIPMENT CORPORATION MAYNARD, MASSACHUSETTS	TITLE 4-100MA SOLENOID DRIVER M044		
	CHKD. [Signature] DATE 6/24/69 ENG. [Signature] DATE 7/15/69 PROD. DATE	DEC D664 DEC6534D DEC3009B	EIA IN3606 MP36534 ZN3009	DEC EIA	DEC EIA		SIZE B CODE CS	NUMBER M044-0-1	REV. B

REV	NUMBER	SIZE	CODE
	1-0-150W	B	CS

THIS SCHEMATIC IS FURNISHED ONLY FOR TEST AND MAINTENANCE PURPOSES THE CIRCUITS ARE PROPRIETARY IN NATURE AND SHOULD BE TREATED ACCORDINGLY COPYRIGHT 1968 BY DIGITAL EQUIPMENT CORPORATION



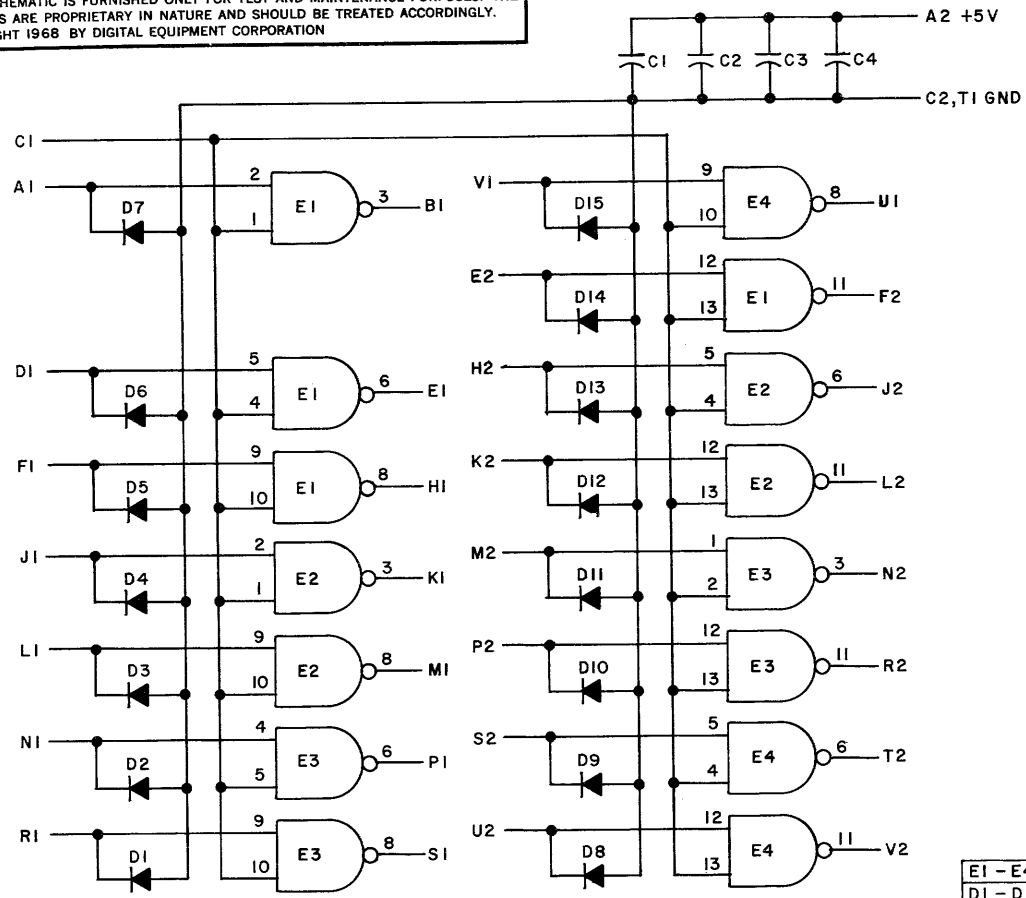
Q1 - Q12	TRANSISTOR DEC3639B	1502762
R20, R22, R24	RES. 1.5K 1/4W 5% CC	1300391
R2, R4, R6, R8, R10, R12, R14, R16, R18	RES. 15K 1/4W 5% CC	1300496
R21, R23	RES. 15K 1/4W 5% CC	1300496
R1, R3, R5, R7, R9, R11, R13, R15, R17, R19,	RES. 15K 1/4W 5% CC	1300496
D1 - D36	DIODE D664	1100114
	PARTS LIST	A PL-MO50-0-0
REFERENCE DESIGNATION	DESCRIPTION	PART NO.

PARTS LIST

REVISIONS CHK CHG NO REV	DRN <i>M. Keller</i>	DATE <i>10-23-68</i>	TRANSISTOR & DIODE CONVERSION CHART				digital EQUIPMENT CORPORATION MAYNARD, MASSACHUSETTS	TITLE LEVEL CONVERTER MO51			
	CHK'D <i>Dr. Miller</i>	DATE <i>10-28-68</i>	DEC	EIA	DEC	EIA		SIZE B	CODE CS	NUMBER MO51-0-1	REV
	EMG <i>W. S. ...</i>	DATE <i>12/1/68</i>	DEC3639B	2N3639				PRINTED CIRCUIT REV A			
	PROD	DATE	D664	1N3606							

REV. NUMBER M101-0-1 B CS

THIS SCHEMATIC IS FURNISHED ONLY FOR TEST AND MAINTENANCE PURPOSES. THE CIRCUITS ARE PROPRIETARY IN NATURE AND SHOULD BE TREATED ACCORDINGLY. COPYRIGHT 1968 BY DIGITAL EQUIPMENT CORPORATION



E1 - E4	INTEGRATED CKT. DEC7400N	1905575
D1 - D15	DIODE D664	1100114
C1 - C4	CAP. .01MFD 100V 20% DISC	1001610
	PARTS LIST	A-PL-M101-0-0
REFERENCE DESIGNATION	DESCRIPTION	PART NO.

REVISIONS	DRN. <i>M. Waller</i>	DATE <i>8-5-68</i>
CHK CHG NO. REV	CHK'D <i>M. Waller</i>	DATE <i>8-6-68</i>
	ENG. <i>J. S. [unclear]</i>	DATE <i>9/16/68</i>
	PROD.	DATE

TRANSISTOR & DIODE CONVERSION CHART			
DEC	EIA	DEC	EIA
D664	IN360G		

digital
EQUIPMENT CORPORATION
MAYNARD, MASSACHUSETTS

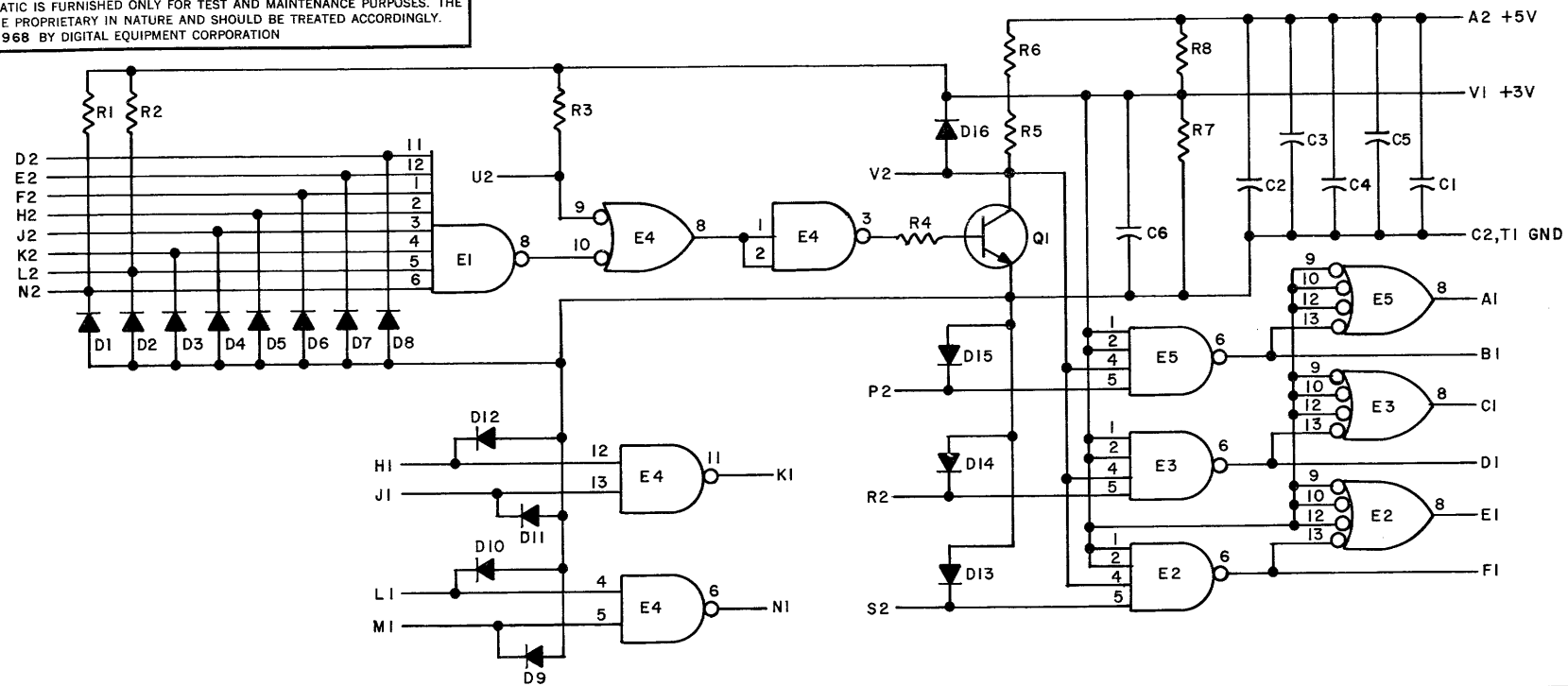
TITLE: **BUS DATA INTERFACE M101**

SIZE	CODE	NUMBER	REV.
B	CS	M101-0-1	

PRINTED CIRCUIT REV. A

REV. A
 NUMBER M103-0-1
 SIZE CODE B
 CS M103-0-1

THIS SCHEMATIC IS FURNISHED ONLY FOR TEST AND MAINTENANCE PURPOSES. THE CIRCUITS ARE PROPRIETARY IN NATURE AND SHOULD BE TREATED ACCORDINGLY. COPYRIGHT 1968 BY DIGITAL EQUIPMENT CORPORATION



Q1	TRANSISTOR DEC3009B-S	1503100
E4	INTEGRATED CKT. DEC7400N	1905575
E2, E3, E5	INTEGRATED CKT. DEC74H40N	1905586
E1	INTEGRATED CKT. DEC7430N	1905578
R8	RES. 330 1/4W 5% CC	1300295
R4-R7	RES. 750 1/4W 5% CC	1301401
R1, R2, R3	RES. 8.2K 1/4W 5% CC	1303179
D1-D16	DIODE D664	1100114
C1-C6	CAP. .01MFD 100V 20% DISC	1001610
PARTS LIST		A-PL-M103-0-0
REFERENCE DESIGNATION	DESCRIPTION	PART NO.
PARTS LIST		

REVISIONS	CHK'D	DRN.	DATE
00001 A	10/11/68	M. Baller	10-4-68
	ENG.		DATE
	11/21/68		
	PROD.		DATE

TRANSISTOR & DIODE CONVERSION CHART			
DEC	EIA	DEC	EIA
DEC3009B	2N3009		
D664	1N3606		

digital EQUIPMENT CORPORATION
 MAYNARD, MASSACHUSETTS

TITLE: DEVICE SELECTOR M103

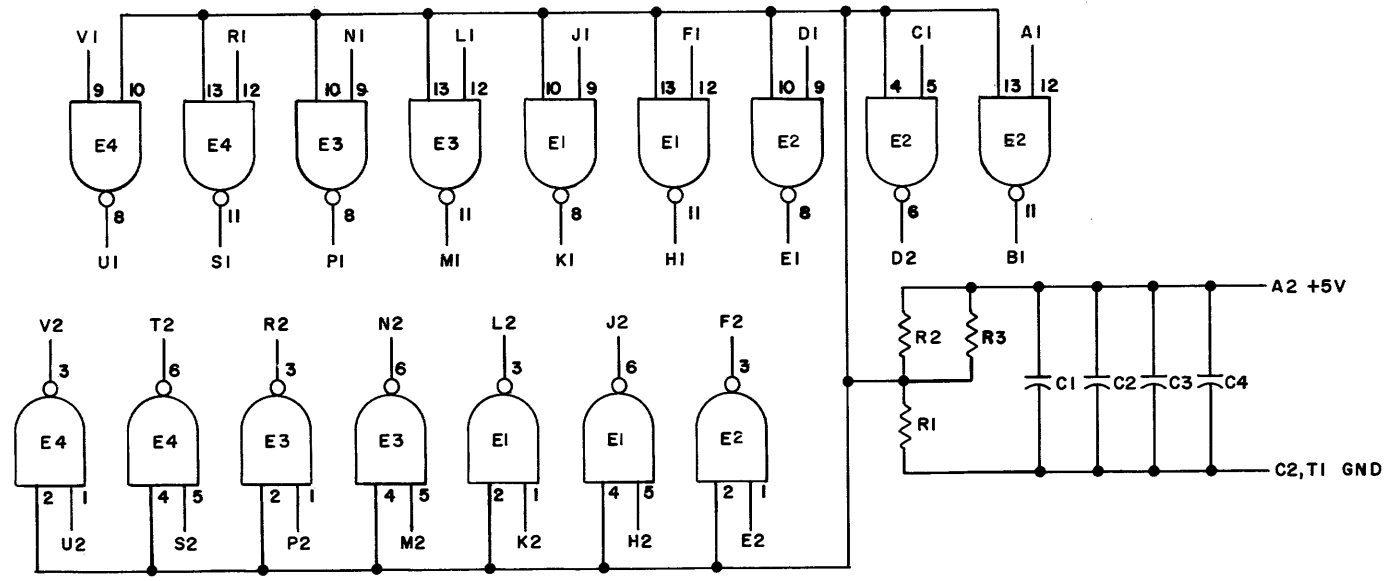
SIZE B CODE CS NUMBER M103-0-1 REV. A

PRINTED CIRCUIT REV. B

↓

REV. A	NUMBER 1-0-111W	CS B	SIZE
--------	-----------------	------	------

THIS SCHEMATIC IS FURNISHED ONLY FOR TEST AND MAINTENANCE PURPOSES. THE CIRCUITS ARE PROPRIETARY IN NATURE AND SHOULD BE TREATED ACCORDINGLY. COPYRIGHT 1968 BY DIGITAL EQUIPMENT CORPORATION



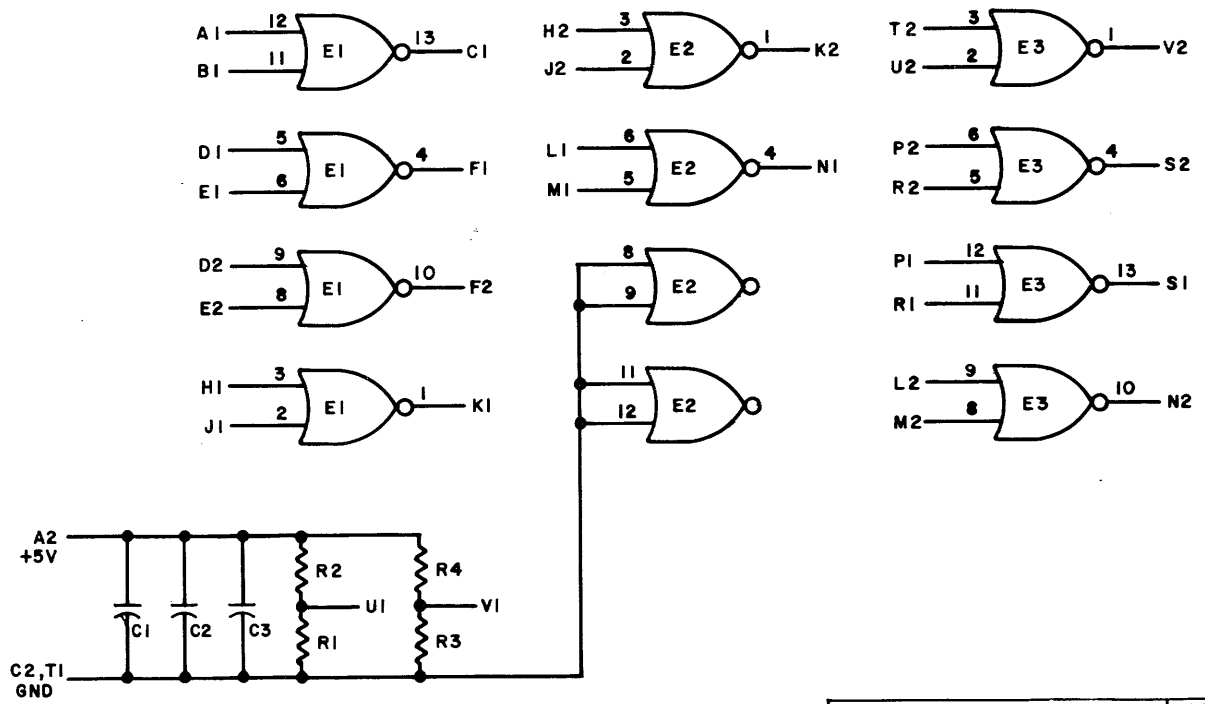
NOTES:
 PIN 7 ON EACH IC = GND
 PIN 14 ON EACH IC = +5V

E1-E4	INTEGRATED CKT. DEC7400N	1905575
R1-R3	RES. 750 1/4W 5% CC	1301401
C1-C4	CAP. .01MFD 100V 20% DISC	1001610
	PARTS LIST	A-PL-M111-0-0
REFERENCE DESIGNATION	DESCRIPTION	PART NO.

REVISIONS CHK CHG NO. REV. 1 00001 A	DRN. <i>M. Keller</i> CHK'D <i>[Signature]</i> ENG. <i>[Signature]</i> PROD. <i>[Signature]</i>	DATE 5-31-68 DATE 6/1/68 DATE 7/5/68 DATE	TRANSISTOR & DIODE CONVERSION CHART <table border="1" style="width: 100%;"> <tr> <td>DEC</td> <td>EIA</td> <td>DEC</td> <td>EIA</td> </tr> <tr> <td> </td> <td> </td> <td> </td> <td> </td> </tr> <tr> <td> </td> <td> </td> <td> </td> <td> </td> </tr> </table>	DEC	EIA	DEC	EIA										TITLE INVERTER M111 SIZE B CODE CS NUMBER M111-0-1 REV. A PRINTED CIRCUIT REV. C
	DEC	EIA	DEC	EIA													

REV. D
 NUMBER MI12-0-1
 SIZE CODE B CS

THIS SCHEMATIC IS FURNISHED ONLY FOR TEST AND MAINTENANCE PURPOSES. THE CIRCUITS ARE PROPRIETARY IN NATURE AND SHOULD BE TREATED ACCORDINGLY. COPYRIGHT 1968 BY DIGITAL EQUIPMENT CORPORATION



NOTES:
 PIN 7 ON EACH IC = GND
 PIN 14 ON EACH IC = +5V

C1, C2, C3	CAP. .01MFD 100V 20% DISC	1001610
E1, E2, E3	INTEGRATED CKT. DEC7402N	1909004
R2, R4	RES. 330 1/4W 5% CC	1300295
R1, R3	RES. 750 1/4W 5% CC	1301401
	PARTS LIST	A-PL-MI12-0-0
REFERENCE DESIGNATION	DESCRIPTION	PART NO.

PARTS LIST

REVISIONS	CHK	CHG NO.	REV.
1	MM	00001	A
2	MM	00002	C
3	MM	00003	D

DRN. Mr. Waller	DATE 2-20-68
CHK'D [Signature]	DATE 2/20/68
ENG. [Signature]	DATE 3/7/68
PROD.	DATE

TRANSISTOR & DIODE CONVERSION CHART			
DEC		EIA	

digital
 EQUIPMENT CORPORATION
 MAYNARD, MASSACHUSETTS

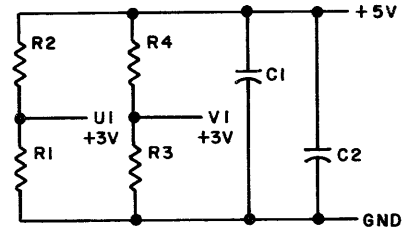
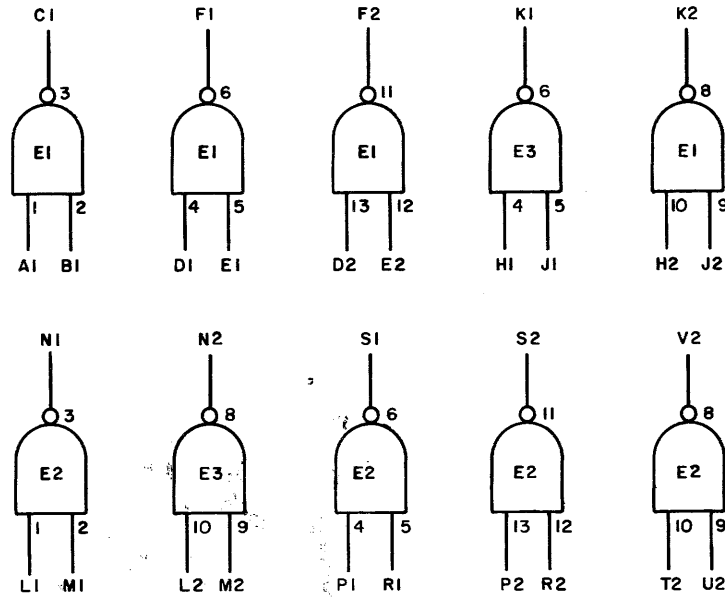
TITLE NOR GATE MI12			
SIZE B	CODE CS	NUMBER MI12-0-1	REV. D
PRINTED CIRCUIT REV.			D

↓

C	REV.	MI13-0-1	NUMBER	CS	B	SIZE
---	------	----------	--------	----	---	------

THIS SCHEMATIC IS FURNISHED ONLY FOR TEST AND MAINTENANCE PURPOSES. THE CIRCUITS ARE PROPRIETARY IN NATURE AND SHOULD BE TREATED ACCORDINGLY. COPYRIGHT 1967 BY DIGITAL EQUIPMENT CORPORATION

+5V ——— A2
 NOT USED -15V ——— B2
 GND ——— C2, T1



NOTES:
 PIN 7 ON EACH IC = GND
 PIN 14 ON EACH IC = +5V

E1 THRU E3	INTEGRATED CKT. DEC7400N	1905575
R1 AND R3	RES. 750 1/4W 5% CC	1301401
R2 AND R4	RES. 330 1/4W 10% CC	1300293
C1 AND C2	CAP. .01MFD 100V 20% DISC	1001610
	PARTS LIST	A-PL-MI13-0-0
REFERENCE DESIGNATION	DESCRIPTION	PART NO.
PARTS LIST		

REV.	CHG. NO.	CHK'D	DATE
A	6425		
B	6801		
C	00001		

DRN. <i>M. Waller</i>	DATE 3-15-67
CHK'D. <i>M. Wagon</i>	DATE 4-21-67
ENG. <i>White</i>	DATE 4-21-67
PROD.	DATE

TRANSISTOR & DIODE CONVERSION CHART			
DEC	EIA	DEC	EIA

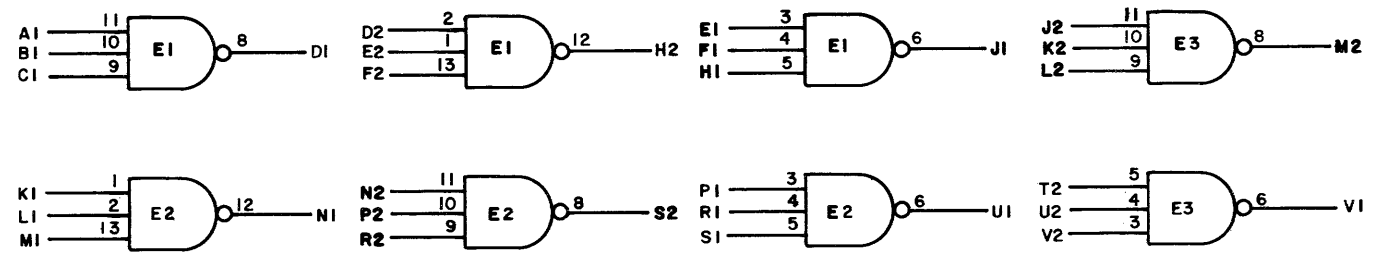
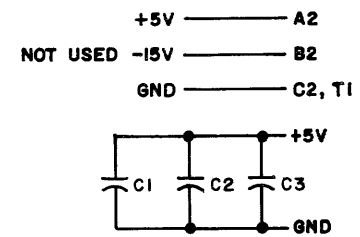
digital
 EQUIPMENT CORPORATION
 MAYNARD, MASSACHUSETTS

TITLE 10-2 INPUT NAND GATES MI13			
SIZE B	CODE CS	NUMBER MI13-0-1	REV. C
PRINTED CIRCUIT REV D			

↓

REV. C	NUMBER MI15-0-1	CODE CS	SIZE B
-----------	--------------------	------------	-----------

THIS SCHEMATIC IS FURNISHED ONLY FOR TEST AND MAINTENANCE PURPOSES. THE CIRCUITS ARE PROPRIETARY IN NATURE AND SHOULD BE TREATED ACCORDINGLY. COPYRIGHT 1967 BY DIGITAL EQUIPMENT CORPORATION



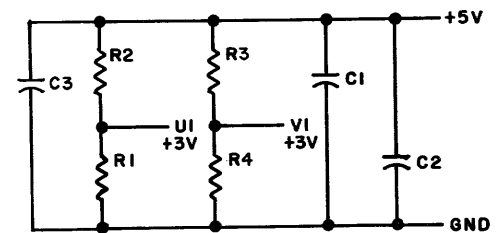
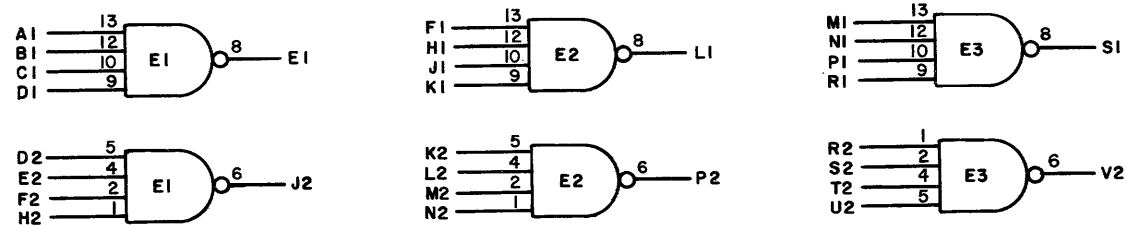
NOTES:
PIN 7 ON EACH IC = GND
PIN 14 ON EACH IC = +5V

E1 THRU E3	INTEGRATED CKT. DEC7410N	1905576
C1 THRU C3	CAP. .01MFD 100V 20% DISC	1001610
PARTS LIST		A-PL-MI15-0-0
REFERENCE DESIGNATION	DESCRIPTION	PART NO.

REVISIONS	CHK CHG NO. REV.	DRN.	DATE	TRANSISTOR & DIODE CONVERSION CHART				digital	TITLE 8-3 INPUT NAND GATES MI15			
	3423 A	M. Waller	4-20-67									
1800 B	W. S. ...	4-21-67		DEC	EIA	DEC	EIA	EQUIPMENT CORPORATION MAYNARD, MASSACHUSETTS	SIZE	CODE	NUMBER	REV.
00001 C	Z. White	4/21/67							B	CS	MI15-0-1	C
								PRINTED CIRCUIT REV. D				

THIS SCHEMATIC IS FURNISHED ONLY FOR TEST AND MAINTENANCE PURPOSES. THE CIRCUITS ARE PROPRIETARY IN NATURE AND SHOULD BE TREATED ACCORDINGLY. COPYRIGHT 1967 BY DIGITAL EQUIPMENT CORPORATION

+5V ——— A2
 NOT USED -15V ——— B2
 GND ——— C2, T1



NOTES:
 PIN 7 ON EACH IC = GND
 PIN 14 ON EACH IC = +5V

E1 THRU E3	INTEGRATED CKT. DEC7420N	1905577
R1 & R4	RES. 750 1/4W 5% CC	1301401
R2 & R3	RES. 330 1/4W 10% CC	1300293
C1 THRU C3	CAP. .01MFD 100V 20% DISC	1001610
	PARTS LIST	A-PL-M117-0-0
REFERENCE DESIGNATION	DESCRIPTION	PART NO.

REVISIONS	CHK	CHG NO	REV
		6424	A
		8799	B
		00001	C
		00002	E

DRN.	M. Valler	DATE	3-15-67
CHK'D		DATE	4-21-67
ENG.		DATE	4-21-67
PROD.		DATE	

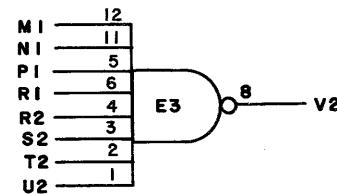
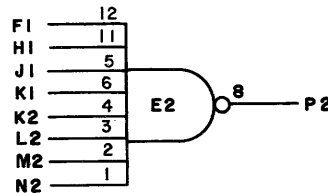
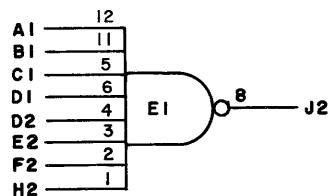
TRANSISTOR & DIODE CONVERSION CHART			
DEC	EIA	DEC	EIA

digital
 EQUIPMENT CORPORATION
 MAYNARD, MASSACHUSETTS

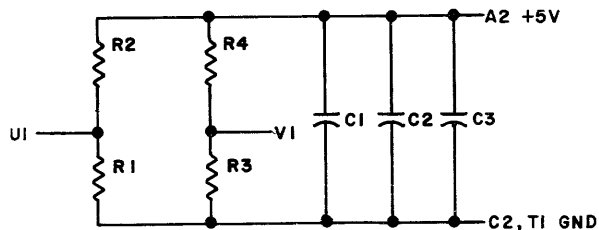
TITLE				6-4 INPUT NAND GATES M117			
SIZE	CODE	NUMBER	REV.				
B	CS	M117-0-1	E				
PRINTED CIRCUIT REV.				E			
D157	324	434	433	3			

REV. B
 NUMBER M119-0-1
 CS B
 SIZE B

THIS SCHEMATIC IS FURNISHED ONLY FOR TEST AND MAINTENANCE PURPOSES. THE CIRCUITS ARE PROPRIETARY IN NATURE AND SHOULD BE TREATED ACCORDINGLY. COPYRIGHT 1967 BY DIGITAL EQUIPMENT CORPORATION



NOTES:
 PIN 7 ON EACH IC = GND
 PIN 14 ON EACH IC = +5V



E1 THRU E3	INTEGRATED CKT. DEC7430N	1905578
R2 & R4	RES. 330 1/4W 10% CC	1300293
R1 & R3	RES. 750 1/4W 5% CC	1301401
C1 THRU C3	CAP. .01MFD 100V 20% DISC	1001610
	PARTS LIST	A-PL-M119-0-0
REFERENCE DESIGNATION	DESCRIPTION	PART NO.

PARTS LIST

REVISIONS	CHK. NO.	REV.
	6804	A
	00001	B

DRN. <i>M. Waller</i>	DATE 8-1-67
CHK'D <i>F. Schuman</i>	DATE 8/14/67
ENG. <i>Alan Roberts</i>	DATE 8/11/67
PROD.	DATE

TRANSISTOR & DIODE CONVERSION CHART			
DEC		EIA	

digital
 EQUIPMENT CORPORATION
 MAYNARD, MASSACHUSETTS

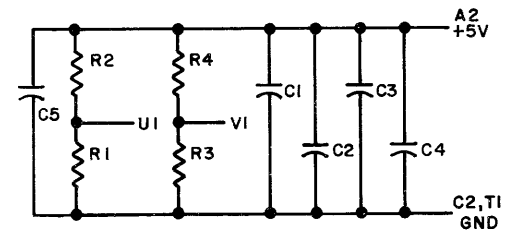
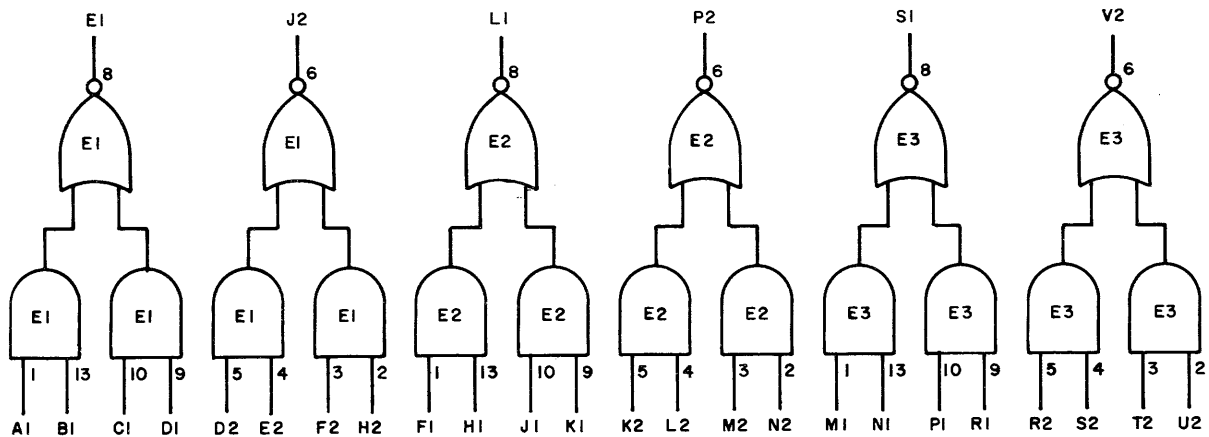
TITLE 3-8 INPUT NAND-GATES M119			
SIZE B	CODE CS	NUMBER M119-0-1	REV. B
PRINTED CIRCUIT REV.			C

PINK

DIST. 324 434 433

REV. C	NUMBER M121-0-1	CS	B
		SIZE	

THIS SCHEMATIC IS FURNISHED ONLY FOR TEST AND MAINTENANCE PURPOSES. THE CIRCUITS ARE PROPRIETARY IN NATURE AND SHOULD BE TREATED ACCORDINGLY. COPYRIGHT 1967 BY DIGITAL EQUIPMENT CORPORATION



NOTES:
PIN 7 ON EACH IC = GND
PIN 14 ON EACH IC = +5V

E1 THRU E3	INTEGRATED CKT. DEC7450N	1905580
R2 & R4	RES. 330 1/4W 10% CC	1300293
R1 & R3	RES. 750 1/4W 5% CC	1301401
C1 THRU C5	CAP. .01MFD 100V 20% DISC	1001610
	PARTS LIST	A-PL-M121-0-0
REFERENCE DESIGNATION	DESCRIPTION	PART NO.

PARTS LIST

REVISIONS	CHK	CHG NO.	REV.
	2	6802	A
	MM	00001	B
	M.M.	00002	C

DRN.	DATE
M. Waller	4-21-67
CHK'D	DATE
[Signature]	4-21-67
ENG.	DATE
L. White	4-21-67
PROD.	DATE

TRANSISTOR & DIODE CONVERSION CHART			
DEC		EIA	

digital
EQUIPMENT CORPORATION
MAYNARD, MASSACHUSETTS

TITLE			
AND-NOR GATE M121			
SIZE	CODE	NUMBER	REV.
B	CS	M121-0-1	C
PRINTED CIRCUIT REV.			D

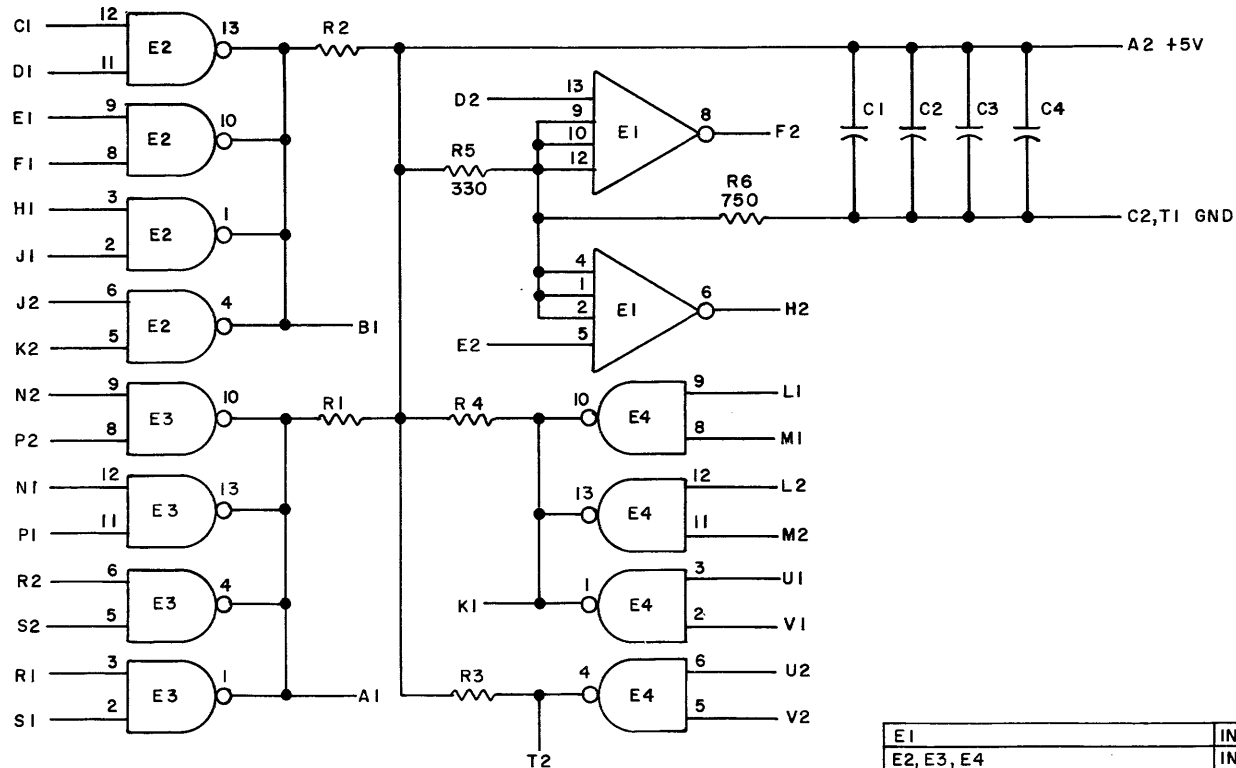
↑ PINK

DIST 324434 4353

5

REV	B	NUMBER	M141-0-1	CS	B	SIZE	B
-----	---	--------	----------	----	---	------	---

THIS SCHEMATIC IS FURNISHED ONLY FOR TEST AND MAINTENANCE PURPOSES. THE CIRCUITS ARE PROPRIETARY IN NATURE AND SHOULD BE TREATED ACCORDINGLY. COPYRIGHT 1967 BY DIGITAL EQUIPMENT CORPORATION



NOTE:
PIN 7 ON EACH IC = GND
PIN 14 ON EACH IC = +5V

E1	INTEGRATED CKT. DEC7420N	1905577
E2, E3, E4	INTEGRATED CKT. DEC7401N	1905590
R6	RES. 750 1/4W 5% CC	1301401
R5	RES. 330 1/4W 10% CC	1300293
R1 THRU R4	RES. 1.5K 1/4W 5% CC	1300391
C1 THRU C4	CAP. .01MFD 100V 20% DISC	1001610
	PARTS LIST	A-PL-M141-0-0
REFERENCE DESIGNATION	DESCRIPTION	PART NO.

PARTS LIST

REVISIONS	CHK'D	NO	REV
	R.SILVERMAN	6803	A
		00001	B

DRN.	M.HALLER	DATE	10-6-67
CHK'D	R.SILVERMAN	DATE	10-13-67
ENG.	L.WHITE	DATE	10-13-67
PROD.		DATE	

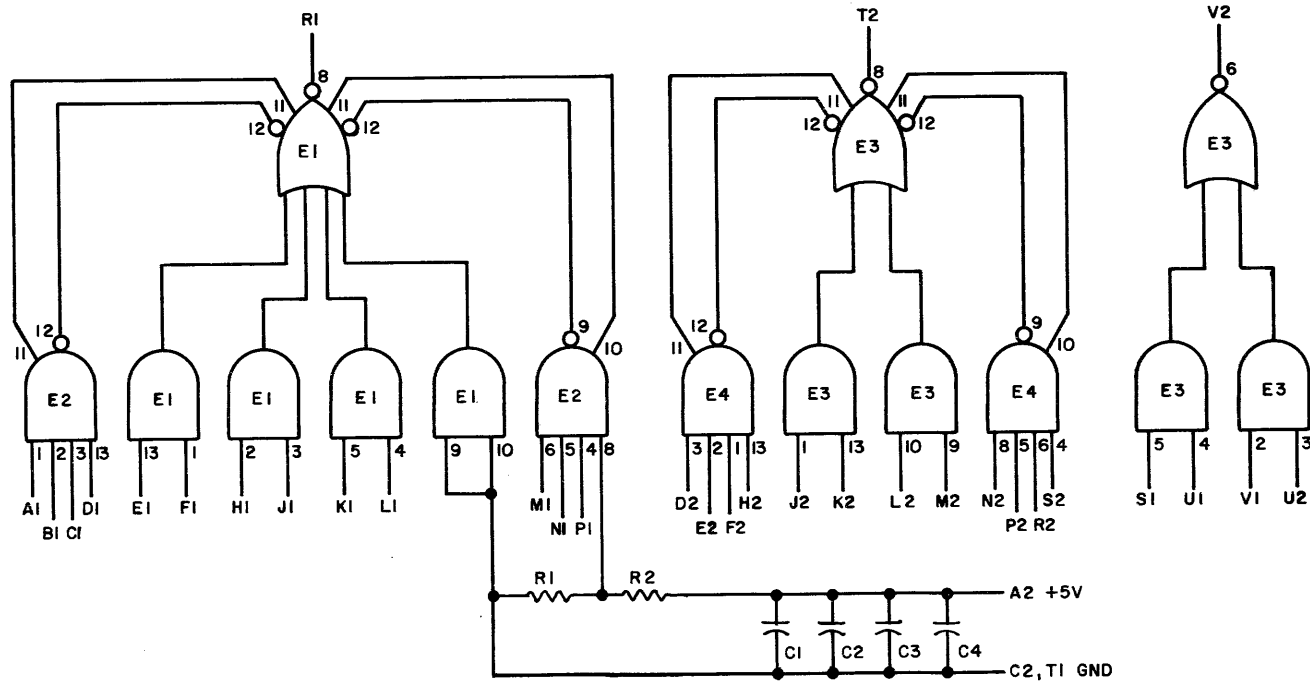
TRANSISTOR & DIODE CONVERSION CHART			
DEC	EIA	DEC	EIA

digital
EQUIPMENT CORPORATION
MAYNARD, MASSACHUSETTS

TITLE			
AND/NOR GATES M141			
SIZE	CODE	NUMBER	REV.
B	CS	M141-0-1	B
PRINTED CIRCUIT REV.			C

REV. B
 NUMBER M160-0-1
 SIZE CODE B
 CS M160-0-1

THIS SCHEMATIC IS FURNISHED ONLY FOR TEST AND MAINTENANCE PURPOSES. THE CIRCUITS ARE PROPRIETARY IN NATURE AND SHOULD BE TREATED ACCORDINGLY. COPYRIGHT 1967 BY DIGITAL EQUIPMENT CORPORATION



NOTES
 PIN 7 ON EACH IC = GND
 PIN 14 ON EACH IC = +5V

E3	INTEGRATED CKT. DEC7450N	1905580
E1	INTEGRATED CKT. DEC7453N	1905582
E2 & E4	INTEGRATED CKT. DEC7460N	1905581
R2	RES. 4.7K 1/4W 10% CC	1300448
R1	RES. 6.8K 1/4W 10% CC	1300463
C1 THRU C4	CAP. .01MFD 100V 20% DISC	1001610
	PARTS LIST	A-PL-M160-0-0
REFERENCE DESIGNATION	DESCRIPTION	PART NO.

REVISONS	CHK	CHG NO.	REV.
		6807	A
		100001	B

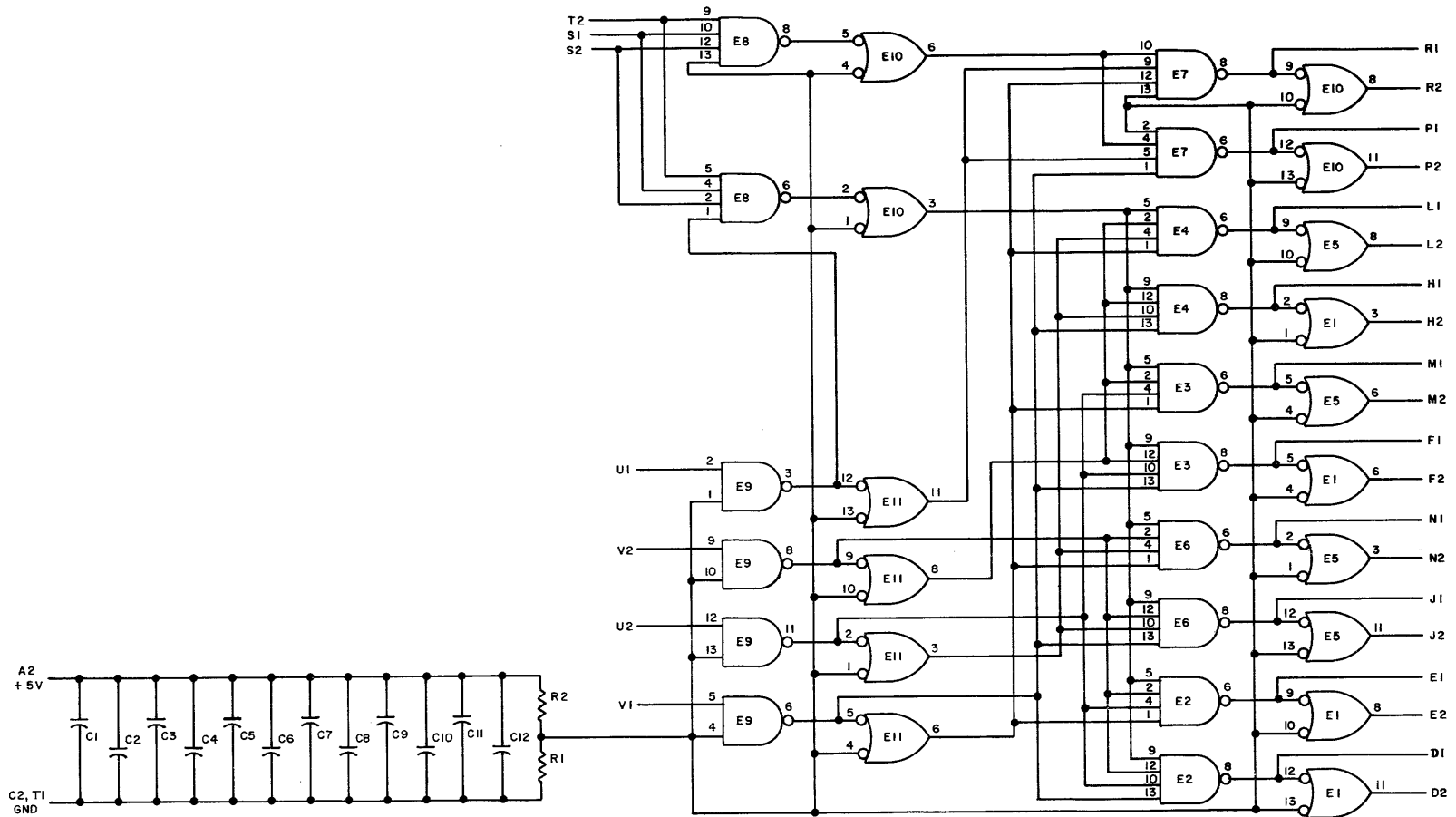
DRN. <i>M. Keller</i>	DATE 4-24-67
CHKD. <i>[Signature]</i>	DATE 8/15/67
ENG. <i>[Signature]</i>	DATE 5/15/67
PROD.	DATE

TRANSISTOR & DIODE CONVERSION CHART			
DEC	EIA	DEC	EIA

digital
 EQUIPMENT CORPORATION
 MAYNARD, MASSACHUSETTS

TITLE GATE MODULE M160			
SIZE B	CODE CS	NUMBER M160-0-1	REV. B
PRINTED CIRCUIT REV.			D

THIS SCHEMATIC IS FURNISHED ONLY FOR TEST AND MAINTENANCE PURPOSES. THE CIRCUITS ARE PROPRIETARY IN NATURE AND SHOULD BE TREATED ACCORDINGLY. COPYRIGHT 1967 BY DIGITAL EQUIPMENT CORPORATION



PIN 7 ON EACH IC = GND
PIN 14 ON EACH IC = +5V

E1, E5, E9, E10, E11	INTEGRATED CKT. DEC7400N	1905575
E2, E3, E4, E6, E7, E8	INTEGRATED CKT. DEC7420N	1905577
R2	RES. 330 1/4W 10% CC	1300293
R1	RES. 750 1/4W 5% CC	1301401
C1 THRU C12	CAP. .01MFD 100V 20% DISC	1001610
	PARTS LIST	A-PL-M161-0-0
REFERENCE DESIGNATION	DESCRIPTION	PART NO.

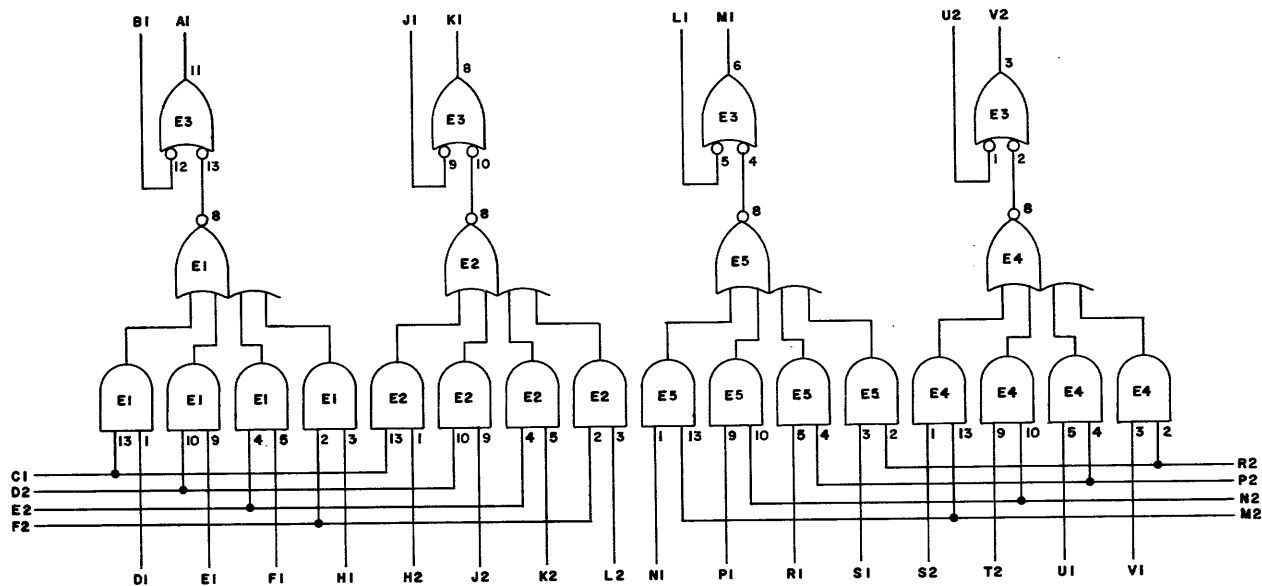
DRM <i>M. Waller</i>		DATE 5-12-67	TITLE TRANSISTOR & DIODE CONVERSION CHART			TITLE BINARY TO OCTAL/DECIMAL DECODER M161	
CHK'D <i>[Signature]</i>	DATE 5-17-67	DEC	EIA	DEC		EIA	SIZE C
ENG <i>[Signature]</i>	DATE 5-12-67			EQUIPMENT CORPORATION MAYNARD, MASSACHUSETTS		NUMBER M161-0-1	REV. B
PROD	DATE			PRINTED CIRCUIT REV.		C	

REVISIONS	CHK	CHG	NO	REV.
1			6576	A
2			00001	B

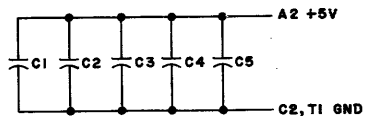
DEC FORM NO. DRC 102

SIZE CODE NUMBER REV. B
C CS M161-0-1

THIS SCHEMATIC IS FURNISHED ONLY FOR TEST AND MAINTENANCE PURPOSES. THE CIRCUITS ARE PROPRIETARY IN NATURE AND SHOULD BE TREATED ACCORDINGLY. COPYRIGHT 1967 BY DIGITAL EQUIPMENT CORPORATION



NOTES:
PIN 7 ON EACH IC = GND
PIN 14 ON EACH IC = +5V



E3	INTEGRATED CKT. DEC7400N	1905575
E1, E2, E4, E5	INTEGRATED CKT. DEC7453N	1905582
C1 THRU C5	CAP. .01MFD 100V 20% DISC	1001610
	PARTS LIST	A-PL-MI69-0-0
REFERENCE DESIGNATION	DESCRIPTION	PART NO.

REVISIONS
CHK'D
ENG
PROD.

DRN
CHK'D
ENG
PROD.

TRANSISTOR & DIODE CONVERSION CHART			
DATE	DATE	DATE	DATE
DEC	EIA	DEC	EIA

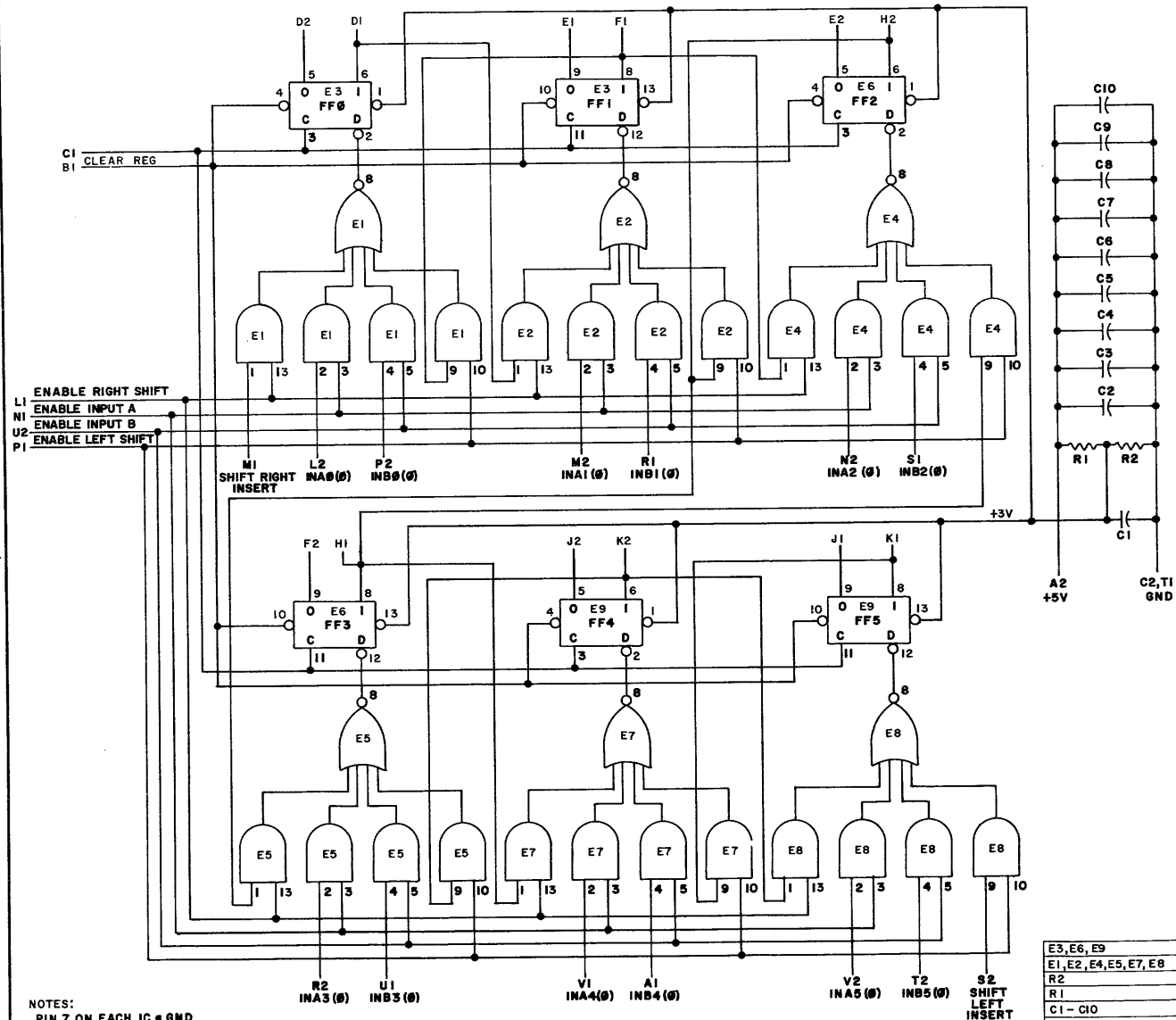
digital
EQUIPMENT CORPORATION
MAYNARD, MASSACHUSETTS

TITLE: **GATING MODULE MI69**

SIZE	CODE	NUMBER	REV.
C	CS	MI69-0-1	A
PRINTED CIRCUIT REV.			B

REV. NUMBER
C CS MI69-0-1

THIS SCHEMATIC IS FURNISHED ONLY FOR TEST AND MAINTENANCE PURPOSES. THE CIRCUITS ARE PROPRIETARY IN NATURE AND SHOULD BE TREATED ACCORDINGLY. COPYRIGHT 1967 BY DIGITAL EQUIPMENT CORPORATION



NOTES:
PIN 7 ON EACH IC = GND
PIN 14 ON EACH IC = +5V

E3, E6, E9	INTEGRATED CKT. DEC7453N	I905547
E1, E2, E4, E5, E7, E8	INTEGRATED CKT. DEC7453N	I905582
R2	RES. 3K 1/4W 5% CC	I300432
R1	RES. 1.5K 1/4W 5% CC	I300391
C1 - C10	CAP. .01MFD 100V 20% DISC	I001610
	PARTS LIST	A-PL-M212-0-0
REFERENCE DESIGNATION	DESCRIPTION	PART NO.

REV.	CHG	NO.	REV.

DRN	DATE
CHKD	DATE
ENG	DATE
PROD.	DATE

TRANSISTOR & DIODE CONVERSION CHART			
DEC	EIA	DEC	EIA

digital TITLE: 6 BIT L-R SHIFT REGISTER M212

EQUIPMENT CORPORATION

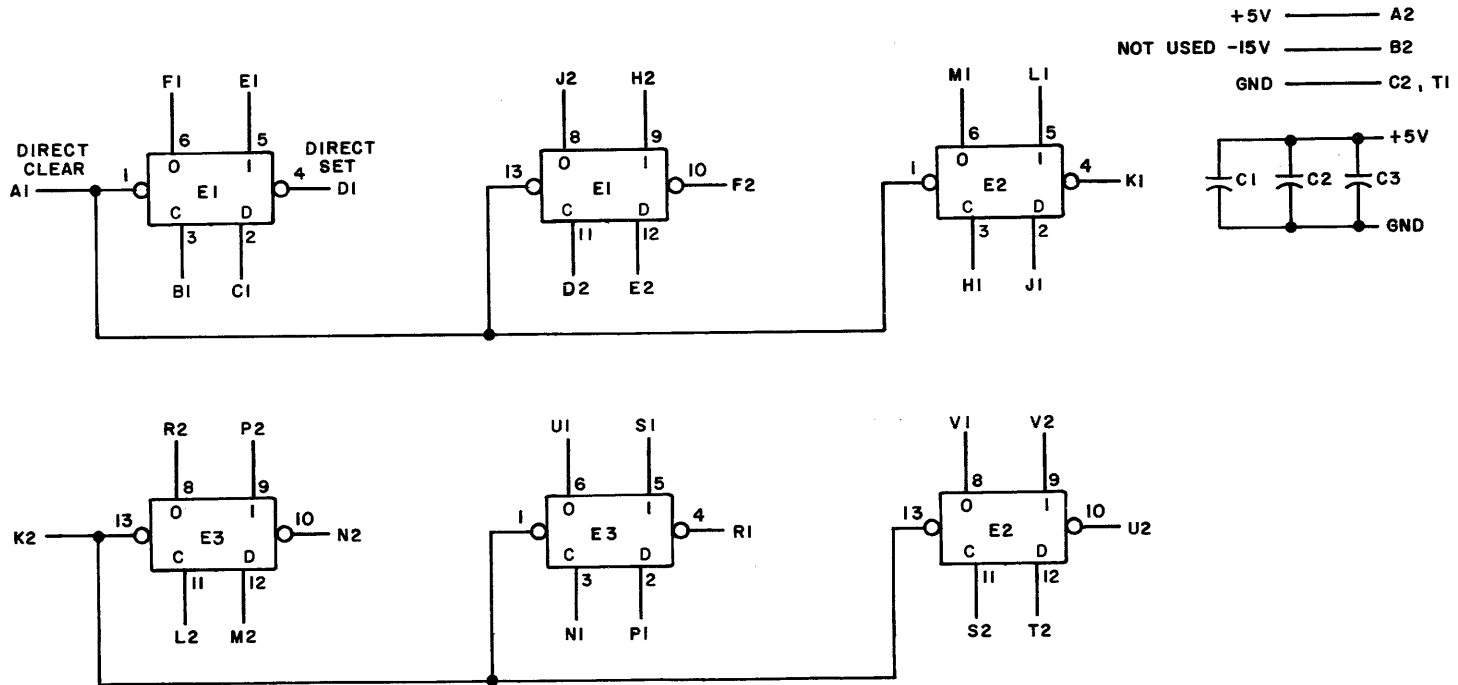
PRINTED CIRCUIT REV. B

SIZE C CODE CS NUMBER M212-0-1 REV. B

REV. B
NUMBER M212-0-1
CS

REV. B
NUMBER M216-0-1
SIZE CODE CS B

THIS SCHEMATIC IS FURNISHED ONLY FOR TEST AND MAINTENANCE PURPOSES. THE CIRCUITS ARE PROPRIETARY IN NATURE AND SHOULD BE TREATED ACCORDINGLY. COPYRIGHT 1967 BY DIGITAL EQUIPMENT CORPORATION



NOTES:
 PIN 7 ON EACH IC = GND
 PIN 14 ON EACH IC = +5V

E1 THRU E3	INTEGRATED CKT. DEC7474N	1905547
C1 THRU C3	CAP. .01 MFD 100V 20% DISC	1001610
	PARTS LIST	A-PL-M216-0-0
REFERENCE DESIGNATION	DESCRIPTION	PART NO.
PARTS LIST		

REV. NO.	CHG. NO.	REV.
0001	0000	A
0002	0001	B

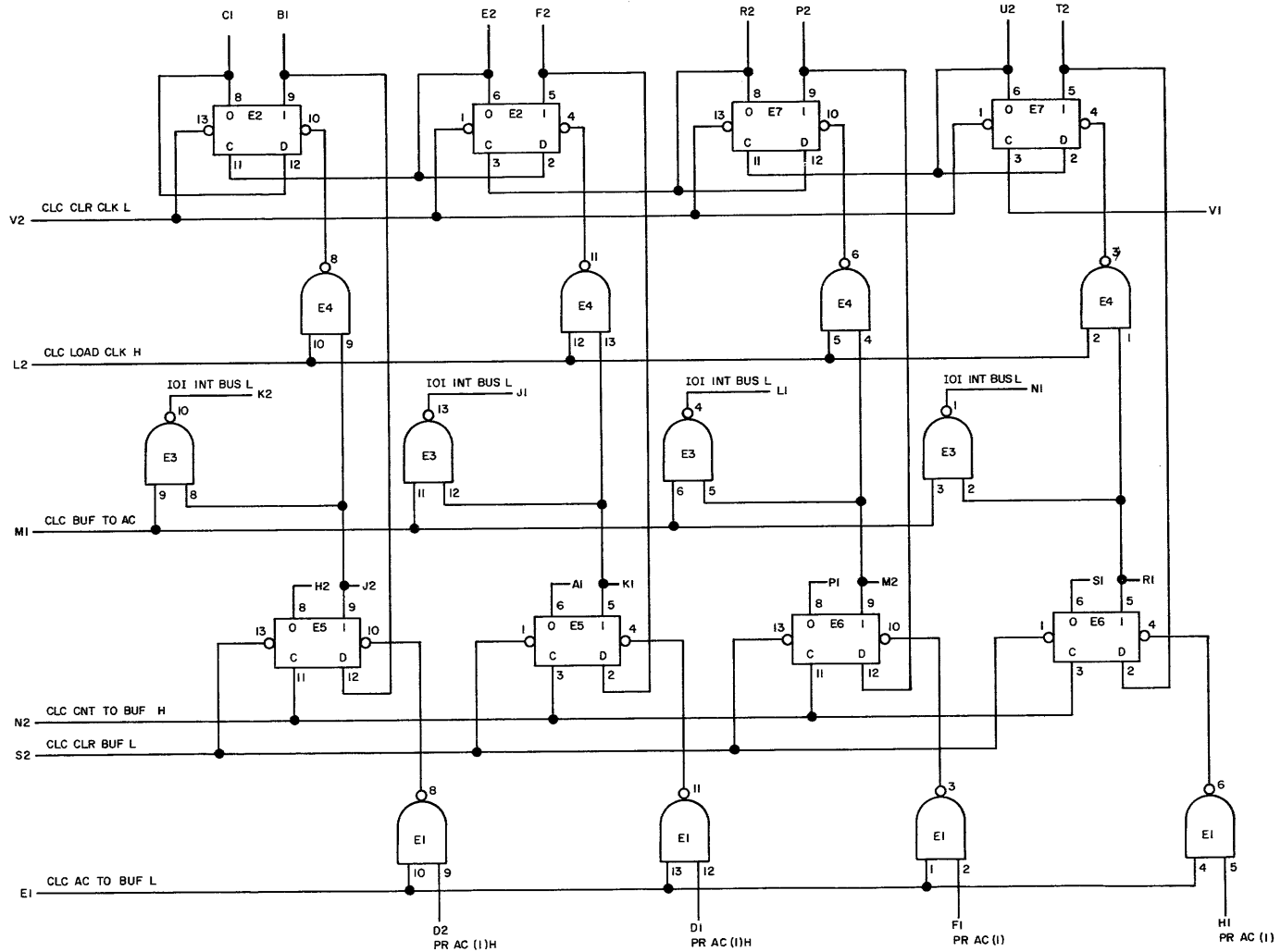
DRN. <i>M. Waller</i>	DATE <i>4-15-67</i>
CHK'D <i>[Signature]</i>	DATE <i>4-26-67</i>
ENR <i>[Signature]</i>	DATE <i>4-28-67</i>
PROD.	DATE

TRANSISTOR & DIODE CONVERSION CHART			
DEC		EIA	

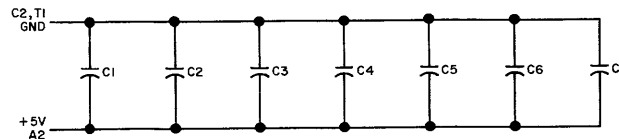
digital
 EQUIPMENT CORPORATION
 MAYNARD, MASSACHUSETTS

TITLE SIX FLIP-FLOPS M216			
SIZE B	CODE CS	NUMBER M216-0-1	REV. B
PRINTED CIRCUIT REV. C			

THIS SCHEMATIC IS FURNISHED ONLY FOR TEST AND MAINTENANCE PURPOSES. THE CIRCUITS ARE PROPRIETARY IN NATURE AND SHOULD BE TREATED ACCORDINGLY. COPYRIGHT 1969 BY DIGITAL EQUIPMENT CORPORATION



UNLESS OTHERWISE INDICATED:
 PIN 7 ON EACH IC = GND
 PIN 14 ON EACH IC = +5V
 CAPACITORS ARE .01 MFD, 100V, 20%, DISC
 E2, E5, E6 AND E7 ARE DEC 7474N
 E1 AND E4 ARE DEC7400N
 E3 IS A DEC7401N



REV.	CHG. NO.	REV.

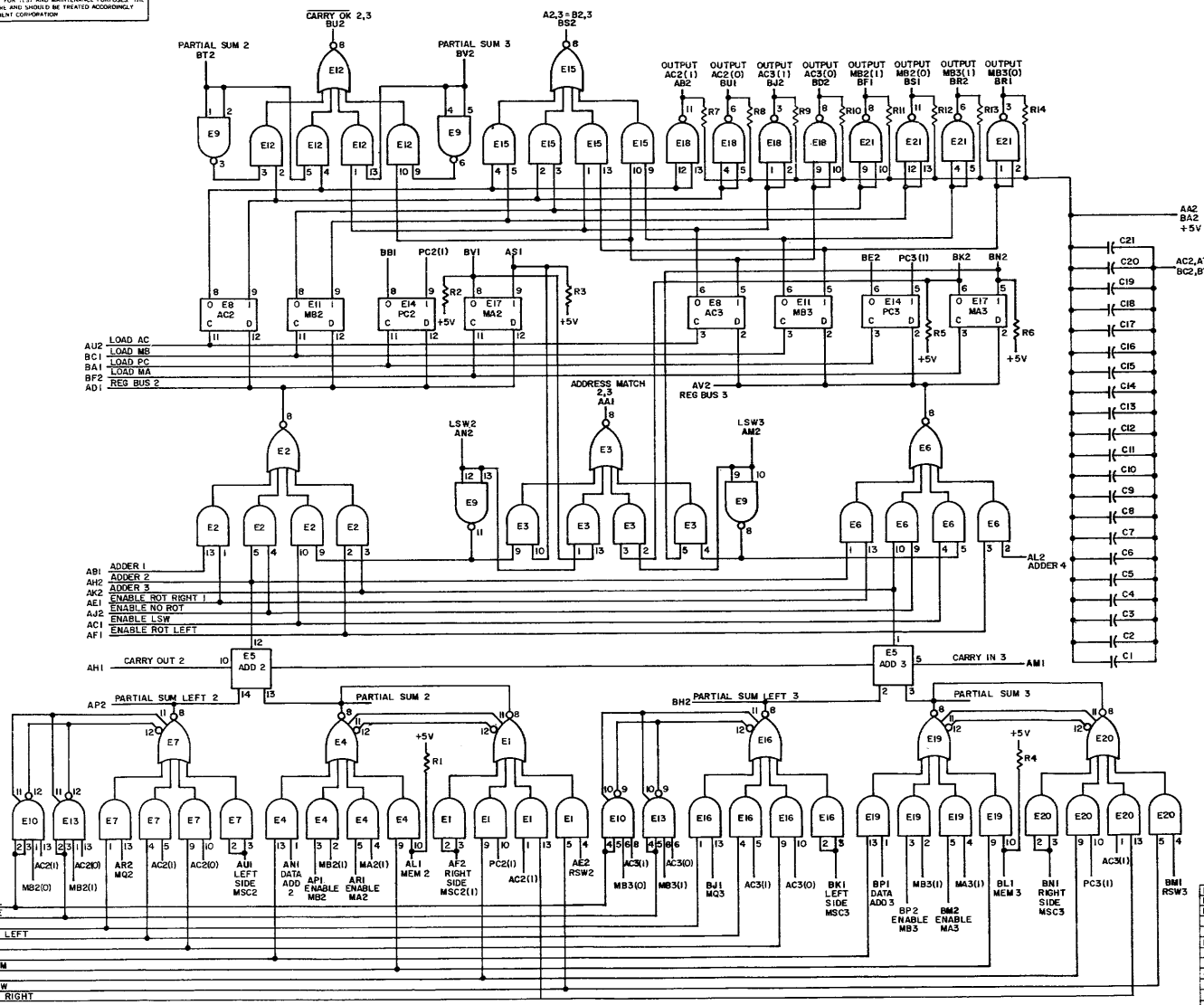
DRN R BUTLER	DATE 4/12/69
CHK'D R G. Galletta	DATE 4/11/69
ENG R J. Chavira	DATE 4/12/69
PRD. R Selwyn	DATE 4/28/69

TRANSISTOR & DIODE CONVERSION CHART			
DEC	EIA	DEC	EIA

digital		TITLE CLOCK REGISTER M217	
EQUIPMENT CORPORATION		SIZE C	CODE CS
MAYNARD, MASSACHUSETTS		NUMBER M217-0-1	REV. A
PRINTED CIRCUIT REV.			

REV. NUMBER M217-0-1

THIS SCHEMATIC IS PROVIDED ONLY FOR TEST AND MAINTENANCE PURPOSES. THE CIRCUITS ARE PROVIDED IN ASSEMBLY AND SHOULD BE TREATED ACCORDINGLY. COPYRIGHT 1967 BY DIGITAL EQUIPMENT CORPORATION



LOAD AC
BC1 LOAD MB
BA1 LOAD PC
BF2 REG BUS 2
AD1

AB1 ADDER 1
AH2 ADDER 2
AD3 ADDER 3
AK2 ENABLE ROT RIGHT
AE1 ENABLE NO ROT
AJ2 ENABLE LSW
AC1 ENABLE ROT LEFT
AF1

AH1 CARRY OUT 2
E5 ADD 2
E5 ADD 3

BD1 ENABLE BCL
BE1 ENABLE BSE
AS2 ENABLE MQ
AT2 ENABLE AC LEFT
BH1 ENABLE AC
BL2 DATA ADD
AV1 ENABLE MEM
AD2 ENABLE PC
AK1 ENABLE RSW
AD1 ENABLE AC RIGHT
AU1

NOTES:
PIN 7 ON EACH IC EXCEPT E5 = GND
PIN 14 ON EACH IC EXCEPT E5 = +5V
PIN 11 ON E5 = GND
PIN 4 ON E5 = +5V

E18, E21	INT. CKT. DEC7400N	I9-09056
E9	INT. CKT. DEC7400N	I9-05575
E5	INT. CKT. DEC7482N	I9-05584
E10, E13	INT. CKT. DEC7466H	I9-05581
E8, E11, E14, E17	INT. CKT. DEC7475M	I9-05547
E1-E4, E6, E7, E12, E15, E16, E19, E20	INT. CKT. DEC7453N	I9-05582
R2, R3, R5 - R14	RES. SK 1/4W 5%	I3-00432
R1, R4	RES. 570 1/4W 10%	I3-00317
C1 THRU C21	CAP. DIMFD 50V -0.120%DISC	10-00001
PARTS LIST		A-PL-M221-0-0
REFERENCE DESIGNATION	DESCRIPTION	PART NO.
PARTS LIST		

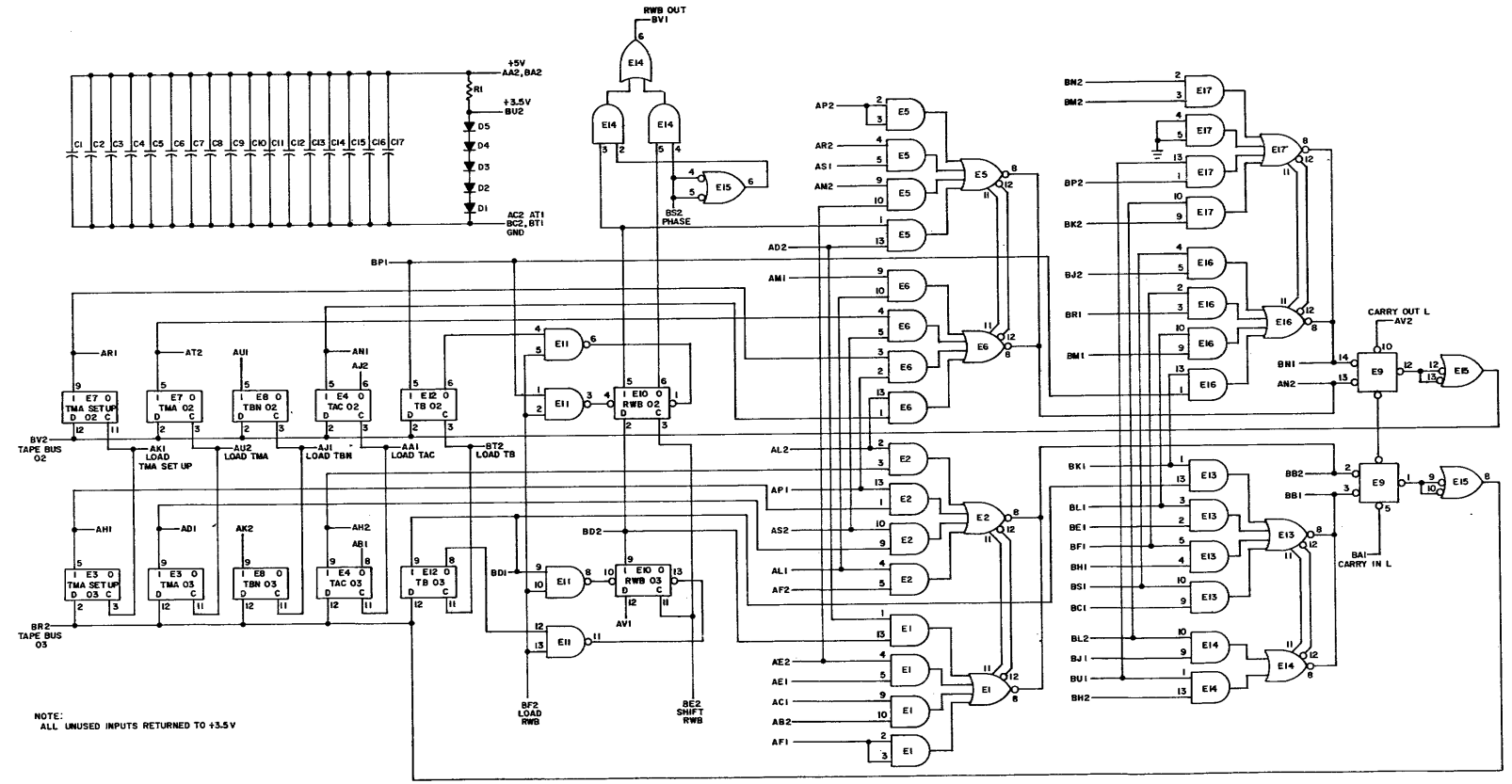
ENCLOSURE
1
2
3
4
5
6
7
8
9
10
11
12
13
14
15
16
17
18
19
20
21
22
23
24
25
26
27
28
29
30
31
32
33
34
35
36
37
38
39
40
41
42
43
44
45
46
47
48
49
50

DATE	12-4-67
BY	R. SILVERMAN
DATE	12-4-67
BY	R. SCHWENKER
DATE	
BY	

TRANSISTOR & DIODE CONVERSION CHART	
DEC	EMA
DEC	EMA

digital MAIN REGISTER M221	
DATE	12-4-67
BY	R. SILVERMAN
DATE	12-4-67
BY	R. SCHWENKER
DATE	
BY	

THIS SCHEMATIC IS FURNISHED ONLY FOR TEST AND MAINTENANCE PURPOSES. THE CIRCUITS ARE PROPRIETARY OF INTEL AND SHOULD BE TREATED ACCORDINGLY. COPYRIGHT 1968 BY DIGITAL EQUIPMENT CORPORATION



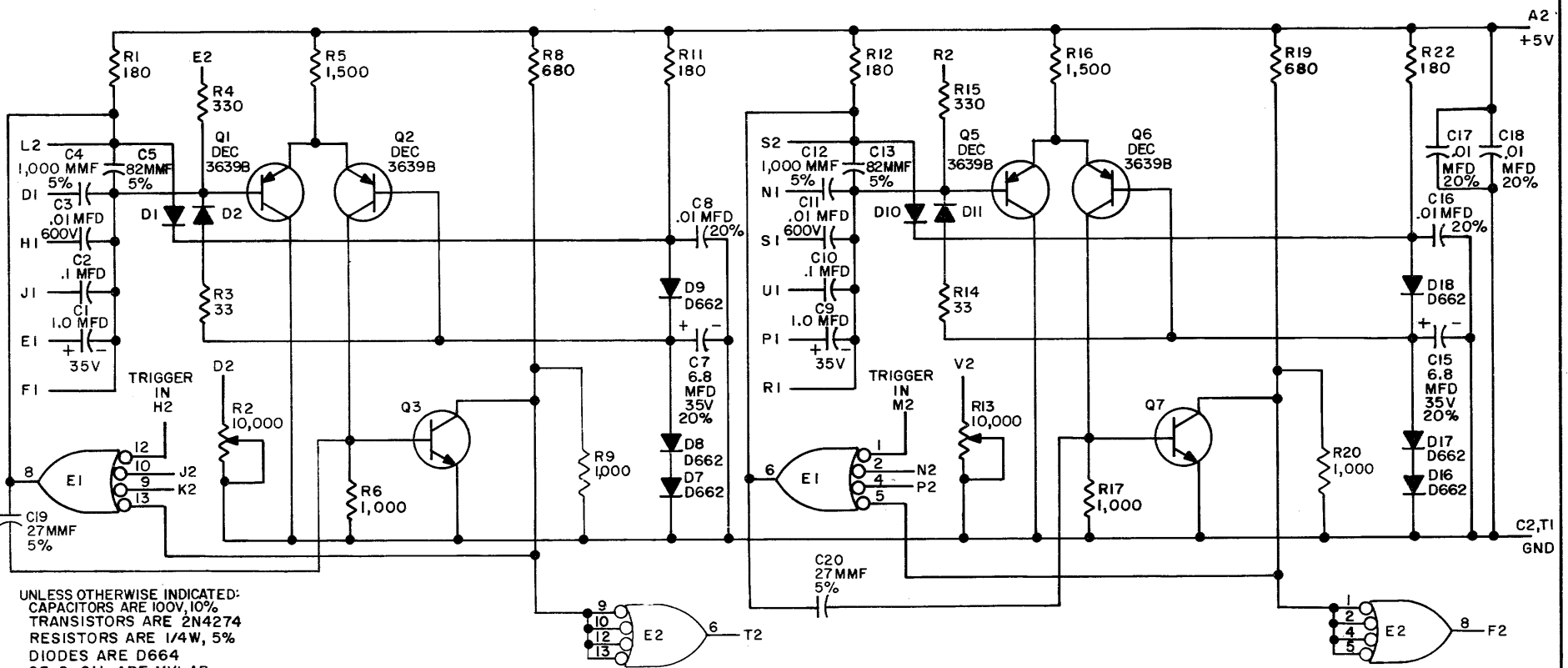
NOTE:
ALL UNUSED INPUTS RETURNED TO +3.5V

D1-D5	DIODE D662	1100113
E14	INTEGRATED CKT. DEC74050M	1905580
E1, E2, E3, E6, E13, E15, E17	INTEGRATED CKT. DEC74053M	1905585
E11, E15	INTEGRATED CKT. DEC7400N	1905575
E9	INTEGRATED CKT. DEC7482N	1905584
E3, E4, E7, E8, E10, E12	INTEGRATED CKT. DEC7476M	1905547
E1	RES. 220 1/4W 5% CC	1300271
C1 - C17	CAP. .01 MFD 100V 20% DISC	1001610
	PARTS LIST	ACK-8622-0-1
	REFERENCE DESIGNATION	DESCRIPTION
	PARTS LIST	

REV	DATE	BY	CHKD	APP'D	TRANSISTOR & DIODE CONVERSION CHART	TITLE
1						LINC TAPE REGISTER M222
EQUIPMENT CORPORATION						DESIGN NUMBER
M222-0-1						REV A
PRINTED CIRCUIT BOARD						REV A

SIZE CODE B CS M302-0-1
 NUMBER REV. K

THIS SCHEMATIC IS FURNISHED ONLY FOR TEST AND MAINTENANCE PURPOSES. THE CIRCUITS ARE PROPRIETARY IN NATURE AND SHOULD BE TREATED ACCORDINGLY. COPYRIGHT 1967 BY DIGITAL EQUIPMENT CORPORATION



UNLESS OTHERWISE INDICATED:
 CAPACITORS ARE 100V, 10%
 TRANSISTORS ARE 2N4274
 RESISTORS ARE 1/4W, 5%
 DIODES ARE D664
 C3 & C11 ARE MYLAR
 E1 IS DEC74H40N
 PIN 7 ONIC'S= GND
 PIN 14 ONIC'S= +5V
 R2 & R13 ARE HELITRIM POT #78PR
 1.0MFD CAPACITORS ARE TANTALUM
 E2 IS DEC7413N

PARTS LIST A-PL-M302-0-0

REVISIONS	CHK	CHG NO	REV.	B	C	D	E	F	G	H	J	K
1		6507										
2		6719										
3		6881										
4		7077										
5		0001										
6		0002										
7		0003										

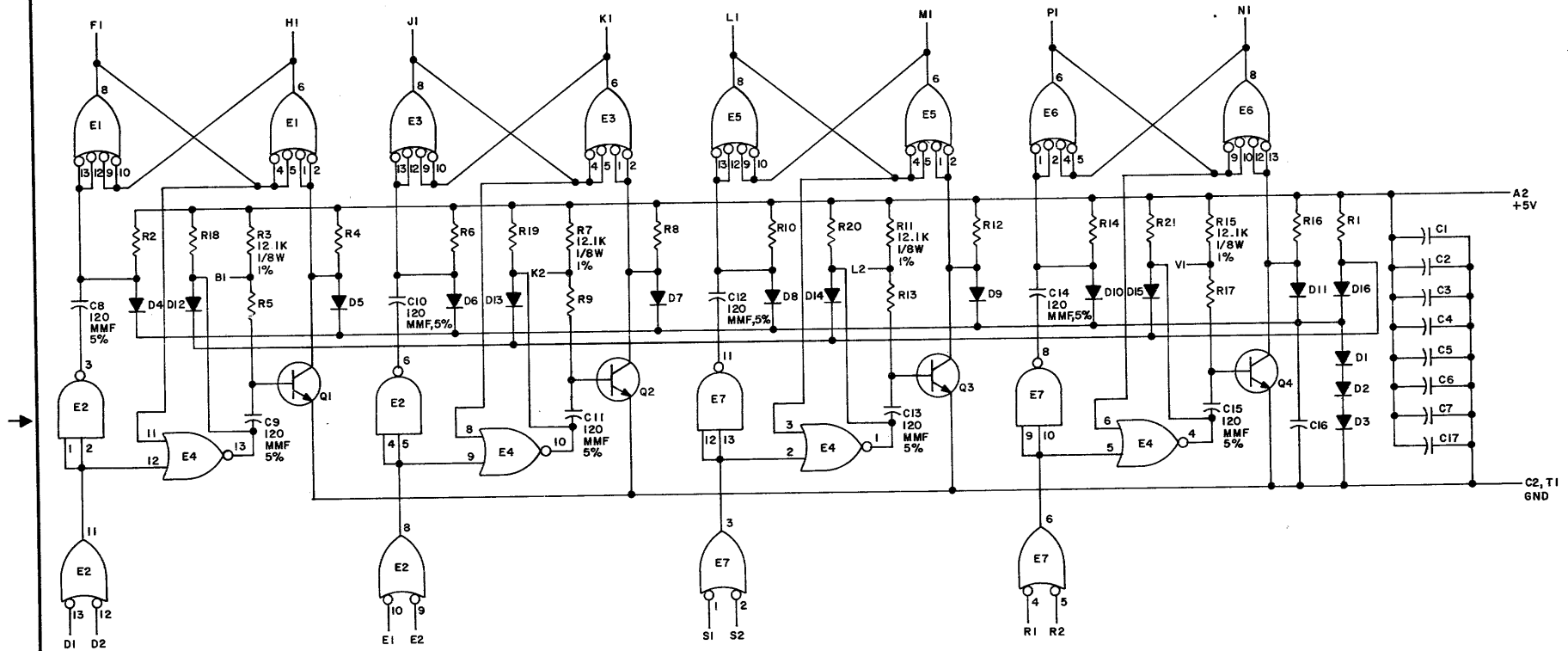
DRN. <i>M. Waller</i>	DATE 6-15-67
CHK'D <i>[Signature]</i>	DATE 6/21/67
ENG. <i>[Signature]</i>	DATE 6/21/67
PROD. I	DATE

TRANSISTOR & DIODE CONVERSION CHART			
DEC	EIA	DEC	EIA
2N4274	SAME		
DEC3639B	2N3639		
D662	1N645		
D664	1N3606		

digital
 EQUIPMENT CORPORATION
 MAYNARD, MASSACHUSETTS

TITLE ONE SHOT DELAY M302			
SIZE B	CODE CS	NUMBER M302-0-1	REV. K
PRINTED CIRCUIT REV.			K

THIS SCHEMATIC IS FURNISHED ONLY FOR TEST AND MAINTENANCE PURPOSES. THE CIRCUITS ARE PROPRIETARY IN NATURE AND SHOULD BE TREATED ACCORDINGLY. COPYRIGHT 1969 BY DIGITAL EQUIPMENT CORPORATION



UNLESS OTHERWISE INDICATED:
 RESISTORS ARE 1K
 RESISTORS ARE 1/4W, 5%
 TRANSISTORS ARE DEC3009B
 E1, E3, E5, E6 ARE DEC7440
 E2, E7 ARE DEC7400
 E4 IS DEC7402
 PIN 7 ON EACH IC = GND
 PIN 14 ON EACH IC = +5V
 DIODES ARE D664
 CAPACITORS ARE .01MFD, 100V, 20%

REV. NO.	1
CHK'D	M. H. HALL
DATE	4-22-69
ENG.	R. L. CHAPMAN
DATE	6-28-68
PROD.	

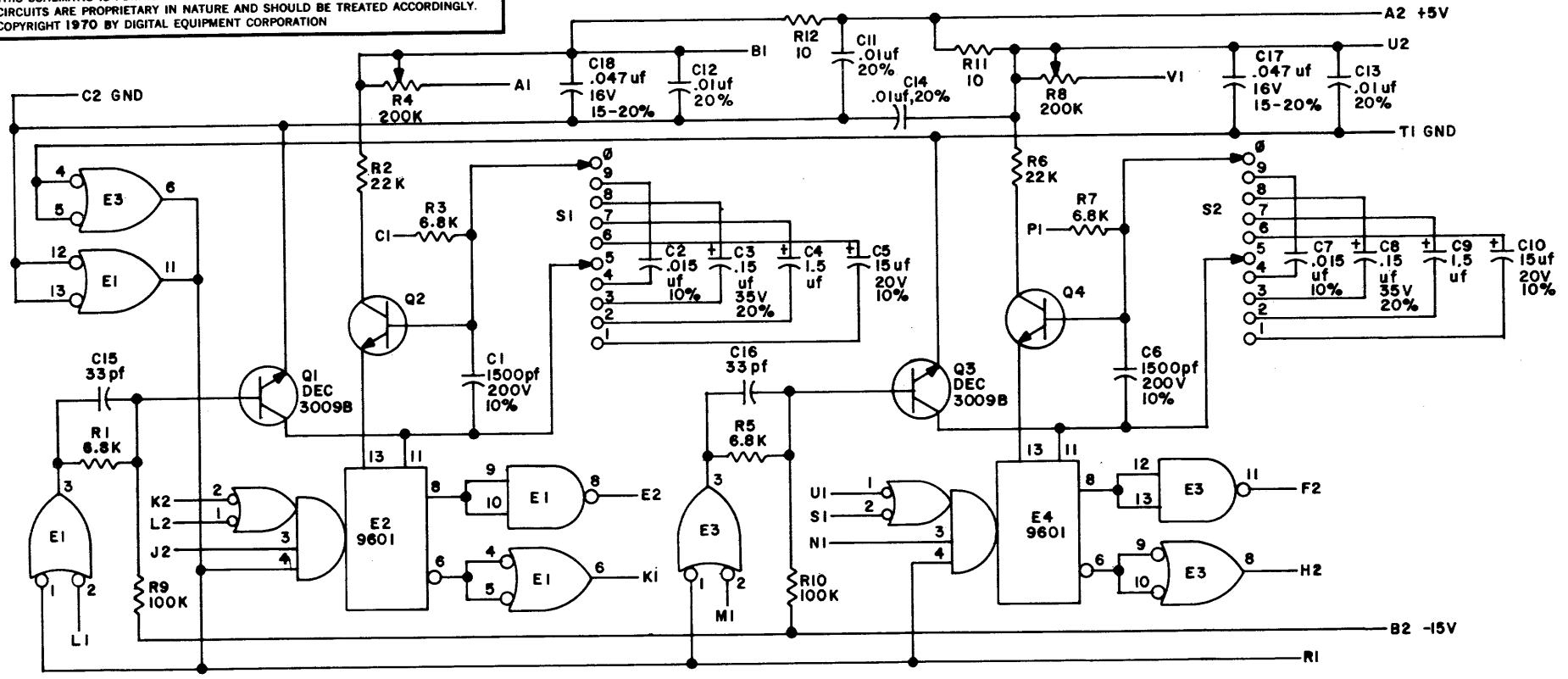
TRANSISTOR & DIODE CONVERSION CHART			
DEC		EIA	
D664	IN3606		
DEC3009B	2N3009		

digital		EQUIPMENT CORPORATION		MAYNARD, MASSACHUSETTS	
SIZE	CODE	NUMBER	REV.		
C	CS	M304-0-1	A		
PRINTED CIRCUIT REV.			B		

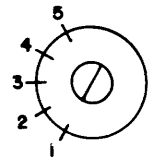
REV. A
 NUMBER
 CS M304-0-1

REV B
 NUMBER M307-0-1
 SIZE CODE B
 CS

THIS SCHEMATIC IS FURNISHED ONLY FOR TEST AND MAINTENANCE PURPOSES. THE CIRCUITS ARE PROPRIETARY IN NATURE AND SHOULD BE TREATED ACCORDINGLY. COPYRIGHT 1970 BY DIGITAL EQUIPMENT CORPORATION



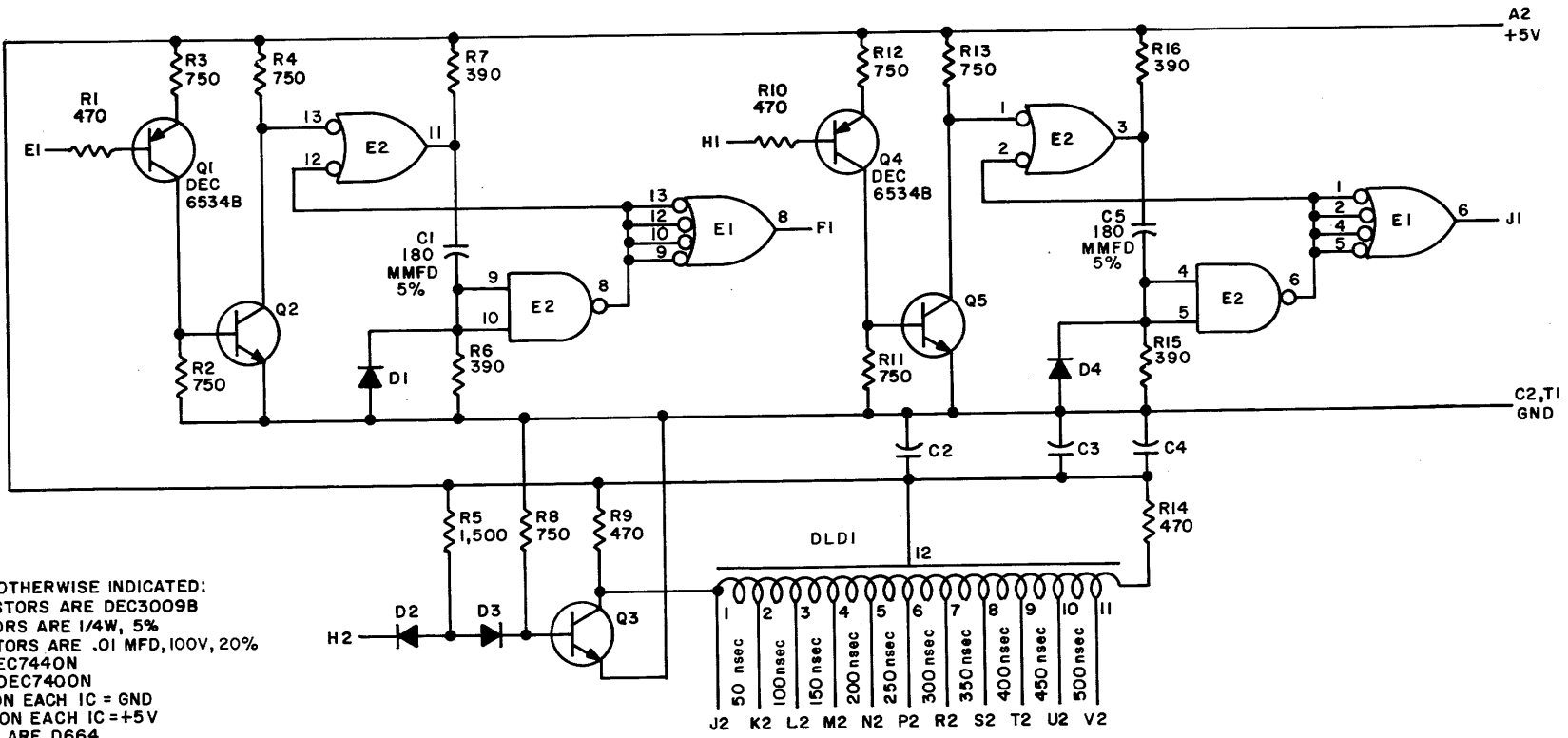
UNLESS OTHERWISE INDICATED:
 TRANSISTORS ARE 2N5088
 RESISTORS ARE 1/4W, 5%
 CAPACITORS ARE 100V, 5%
 R4 & R8 ARE 78PR POTS
 SWITCHES ARE 2 POLE, 5 POSITION SPECTROL
 E1, E3 ARE DEC7400
 PIN 7 ON EACH IC = GND
 PIN 14 ON E1, E3 = +5V
 PIN 14 ON E2 = VCC, PIN B1
 PIN 14 ON E4 = VCC, PIN U2



RANGE 5 5 μsec. — 50 μsec.
 4 50 μsec. — 500 μsec.
 3 500 μsec. — 5 msec.
 2 5 msec. — 50 msec.
 1 50 msec. — 500 msec.

REVISIONS CHK'D MH 00001 A REV'D R. SCHWEGLER 00002 B	DRN. M. HALLER DATE 9-3-69	TRANSISTOR & DIODE CONVERSION CHART				digital EQUIPMENT CORPORATION MAYNARD, MASSACHUSETTS	TITLE INTEGRATING ONE SHOT M307		
	CHK'D A. YAUGA DATE 9-3-69	DEC 2N5088	EIA NONE	DEC 2N3009	EIA NONE		SIZE B	CODE CS	NUMBER M307-0-1
ENG. R. SCHWEGLER DATE 9-4-69	PROD. R. SCHWEGLER DATE 9-4-69	PRINTED CIRCUIT REV.				B			

THIS SCHEMATIC IS FURNISHED ONLY FOR TEST AND MAINTENANCE PURPOSES. THE CIRCUITS ARE PROPRIETARY IN NATURE AND SHOULD BE TREATED ACCORDINGLY. COPYRIGHT 1967 BY DIGITAL EQUIPMENT CORPORATION



UNLESS OTHERWISE INDICATED:
 TRANSISTORS ARE DEC3009B
 RESISTORS ARE 1/4W, 5%
 CAPACITORS ARE .01 MFD, 100V, 20%
 E1 IS DEC7440N
 E2 IS DEC7400N
 PIN 7 ON EACH IC = GND
 PIN 14 ON EACH IC = +5V
 DIODES ARE D664
 DLDI IS DEC16-05530

REVISIONS	CHK	CHG	NO.	REV.
1	6771	A		
2	00001	B		
3	00002	C		
4	00003	D		

DRN.	M. Haller	DATE	4-7-67
CHK'D		DATE	2-25-67
ENG.		DATE	5/5/67
PROD.		DATE	

TRANSISTOR & DIODE CONVERSION CHART			
DEC		EIA	
DEC3009B		2N3009	
DEC6534B		MPS6534	
D662		1N645	
D664		1N3606	

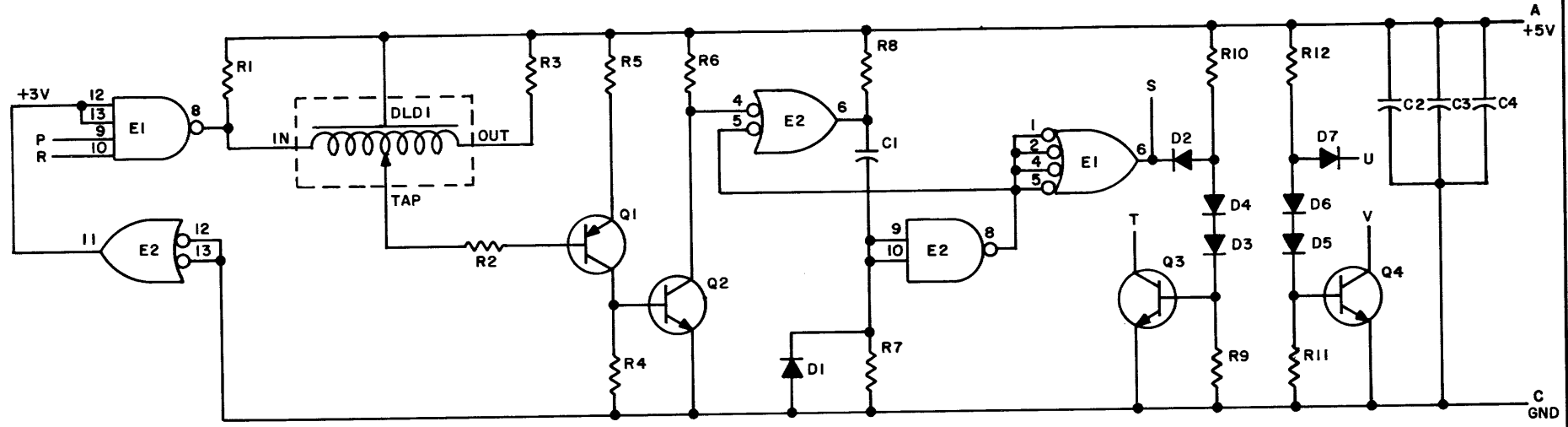


TITLE DELAY LINE M310			
SIZE	CODE	NUMBER	REV
B	CS	M310-0-1	D
PRINTED CIRCUIT REV.			
C			

↓

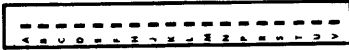
REV.	B	NUMBER	CS	B	SIZE CODE
		M360-0-1			

THIS SCHEMATIC IS FURNISHED ONLY FOR TEST AND MAINTENANCE PURPOSES. THE CIRCUITS ARE PROPRIETARY IN NATURE AND SHOULD BE TREATED ACCORDINGLY. COPYRIGHT 1967 BY DIGITAL EQUIPMENT CORPORATION



NOTES:
PIN 7 ON EACH IC = GND
PIN 14 ON EACH IC = +5V

DLDI	DELAY LINE 500	1602167
E2	INTEGRATED CKT. DEC7400N	1905575
E1	INTEGRATED CKT. DEC7440N	1905579
Q1	TRANSISTOR DEC6534B	1503409-01
Q2, Q3, Q4	TRANSISTOR DEC3009B-S	1503100
R10, R12	RES. 1.5K 1/4W 5% CC	1300391
R9, R11	RES. 3K 1/4W 5% CC	1300432
R7	RES. 220 1/4W 5% CC	1300271
R4, R5, R6	RES. 750 1/4W 5% CC	1301401
R1, R2, R3, R8	RES. 470 1/4W 5% CC	1300316
D1 - D7	DIODE D664	1100114
C2, C3, C4	CAP. .01MFD 100V 20% DISC	1001610
C1	CAP. 330MMF 100V 5% D.M.	1000023
	PARTS LJST	A-PL-M360-0-0
REFERENCE DESIGNATION	DESCRIPTION	PART NO.



REVISIONS	CHK	CHG NO.	REV.
	697B	A	B
	7058		
	00001		

DRN.	DATE
<i>M. Waller</i>	3-31-67
CHK'D	DATE
<i>[Signature]</i>	5/5/67
ENG.	DATE
<i>[Signature]</i>	5/5/67
PROD.	DATE

TRANSISTOR & DIODE CONVERSION CHART			
DEC		EIA	
DEC3009B	2N3009		
DEC6534B	MP36534		
D664	IN3606		

digital
EQUIPMENT CORPORATION
MAYNARD, MASSACHUSETTS

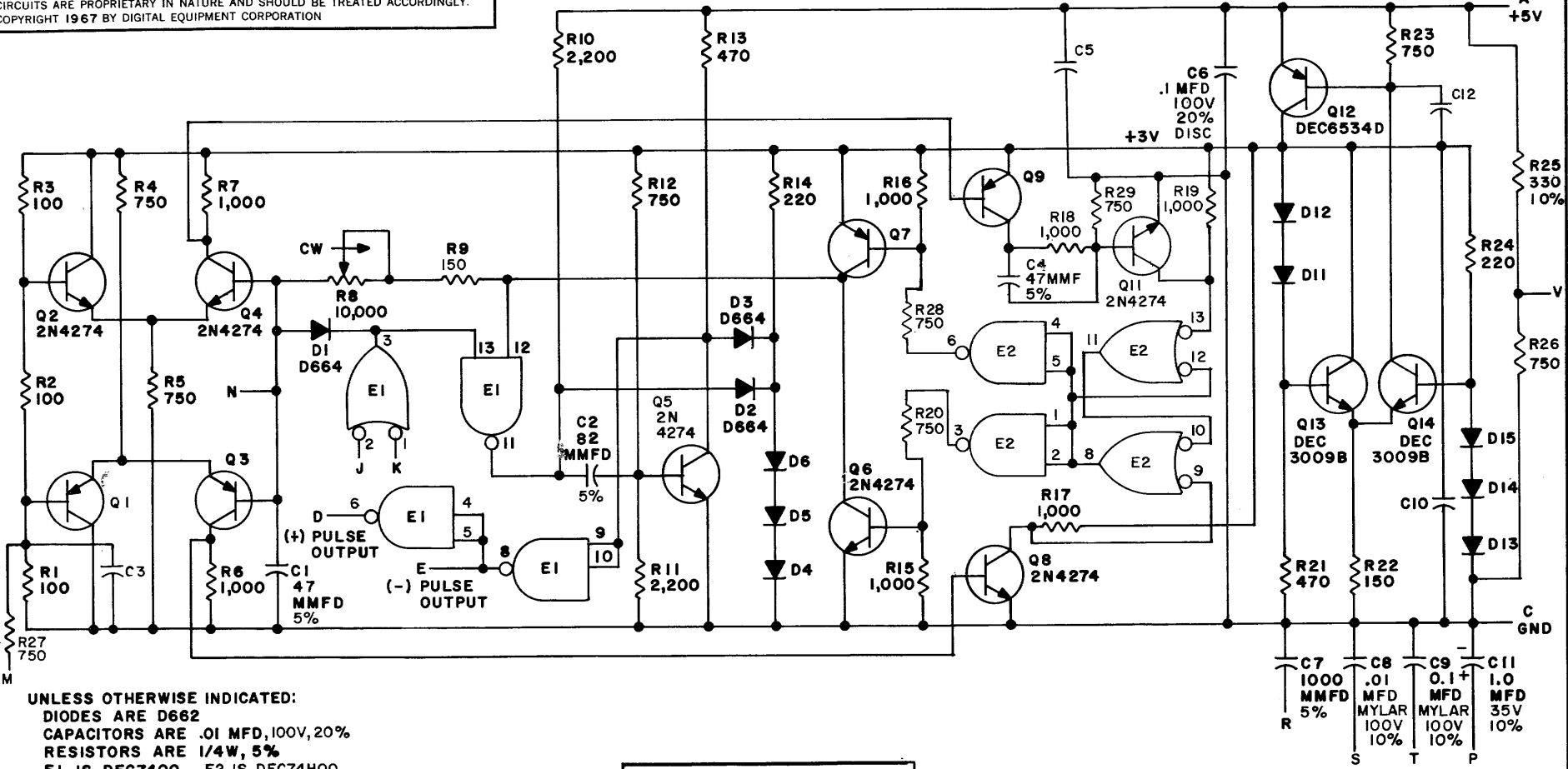
TITLE			
VARIABLE DELAY M360			
SIZE	CODE	NUMBER	REV.
B	CS	M360-0-1	B
PRINTED CIRCUIT REV.			
A B			

↑

DIST. 314 434 435 4 PINK

REV. M NUMBER M401-0-1 CS B SIZE

THIS SCHEMATIC IS FURNISHED ONLY FOR TEST AND MAINTENANCE PURPOSES. THE CIRCUITS ARE PROPRIETARY IN NATURE AND SHOULD BE TREATED ACCORDINGLY. COPYRIGHT 1967 BY DIGITAL EQUIPMENT CORPORATION



UNLESS OTHERWISE INDICATED:
 DIODES ARE D662
 CAPACITORS ARE .01 MFD, 100V, 20%
 RESISTORS ARE 1/4W, 5%
 E1 IS DEC7400, E2 IS DEC7400
 PIN 7 ON IC = GND
 PIN 14 ON IC = +5V
 TRANSISTORS ARE DEC4258
 R8 IS A HELITRIM POT 10% -78PR

PARTS LIST A-PL-M401-0-0

REVISIONS	CHK	CHG NO.	REV.
	6769	A	
	6844	B	
	00001	C	
	00002	D	
	00003	E	
	00004	F	
	00005	G	
	00006	H	
	00007	I	
	00008	J	
		K	
		L	
		M	

DRN.	DATE
<i>m. Waller</i>	9-11-67
CHK'D	DATE
<i>R. Subramanian</i>	9/13/67
ENG.	DATE
<i>P. P. ...</i>	9/13/67
PROD.	DATE

TRANSISTOR & DIODE CONVERSION CHART			
DEC		EIA	
DEC3009B	2N3009	D662	1N645
DEC4258	2N4258	D664	1N3606
2N4274	SAME		
DEC6534D	MPS6534		

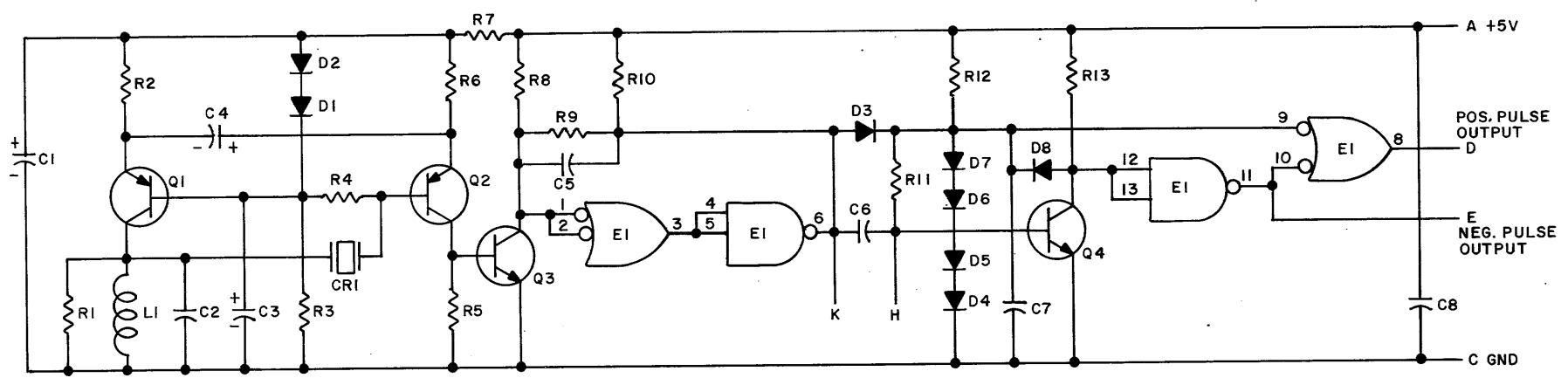
digital
 EQUIPMENT CORPORATION
 MAYNARD, MASSACHUSETTS

TITLE				VARIABLE CLOCK M401			
SIZE	CODE	NUMBER		REV.			
B	CS	M401-0-1		M			
PRINTED CIRCUIT REV.							

↓

REV.	NUMBER	M405-0-1	CS	B
------	--------	----------	----	---

THIS SCHEMATIC IS FURNISHED ONLY FOR TEST AND MAINTENANCE PURPOSES. THE CIRCUITS ARE PROPRIETARY IN NATURE AND SHOULD BE TREATED ACCORDINGLY. COPYRIGHT 1968 BY DIGITAL EQUIPMENT CORPORATION



NOTES:
 1. PIN 14 ON IC = +5V
 2. PIN 7 ON IC = GND
 3. FOR VALUES OF C2, L1, CRI SEE DWG. CHART A-00517-2

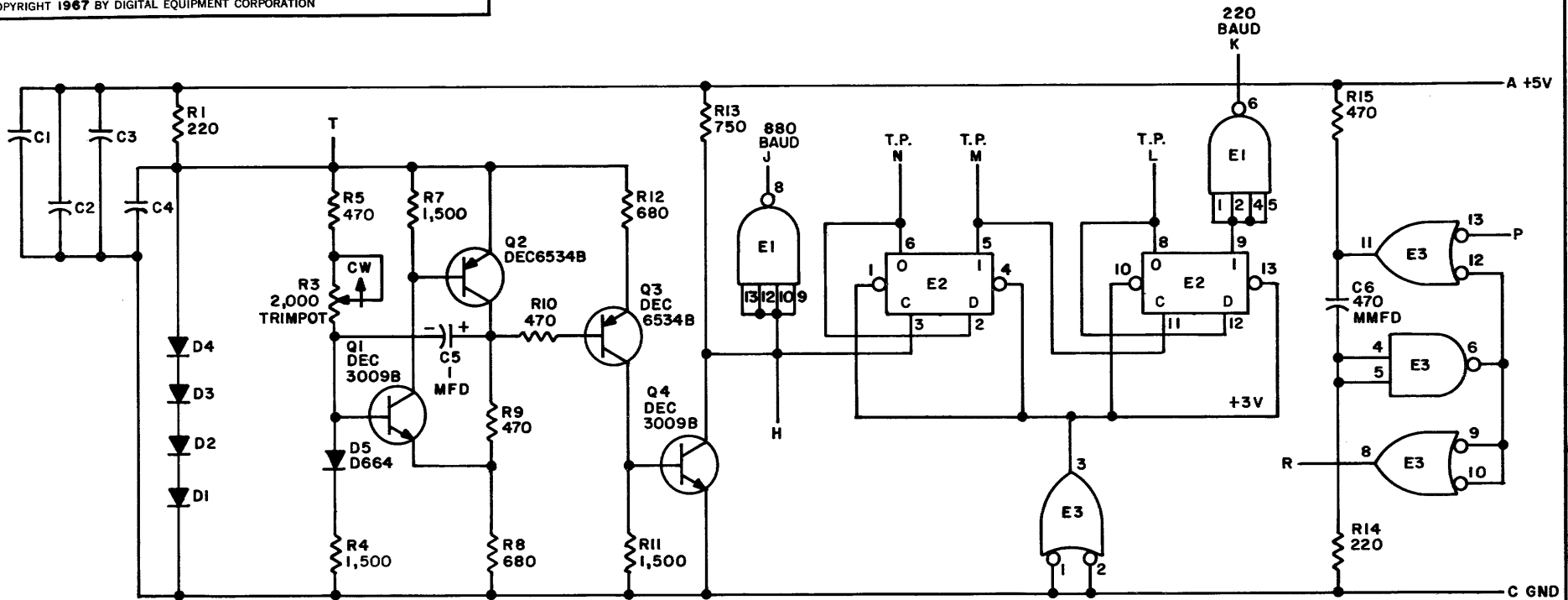
R11, R12	RES. 390 1/4W 5% CC	I300309
C6	CAP. 120 MMF 100V 5% D.M.	I000018
L1, C2, CRI	SEE NOTE 3	
E1	INTEGRATED CKT. DEC7400N	I905575
Q3, Q4	TRANSISTOR DEC4274	I505302
Q1, Q2	TRANSISTOR DEC4258	I505321
R7	RES. 100 1/4W 10% CC	I300231
R4	RES. 100K 1/4W 10% CC	I300534
R3, R8, R10, R13	RES. 1K 1/4W 5% CC	I300365
R2, R5, R6, R9	RES. 2.2K 1/4W 10% CC	I300418
R1	RES. 10K 1/4W 10% CC	I300481
D3, D8	DIODE D664	I100114
D1, D2, D4 - D7	DIODE D662	I100113
C7, C8	CAP. .01 MFD 100V 20% DISC	I001610
C5	CAP. 47 MMF 100V 5% D.M.	I000011
C1, C3, C4	CAP. 39 MFD 10V 10% S.TANT	I000076
PARTS LIST		A-PL-M405-0-0
REFERENCE DESIGNATION	DESCRIPTION	PART NO.

 <----->

REVISIONS CHK (CHK NO. REV.)	DRN. <i>M. Keller</i>	DATE <i>4-17-68</i>	TRANSISTOR & DIODE CONVERSION CHART				digital EQUIPMENT CORPORATION MAYNARD, MASSACHUSETTS	TITLE CRYSTAL CLOCK M405			
	CHK'D	DATE	DEC	EIA	DEC	EIA		SIZE	CODE	NUMBER	REV.
	ENG. <i>A. Roberts</i>	DATE <i>3/22/68</i>	DEC4258	2N4258				B	CS	M405-0-1	
	PROD.	DATE	DEC4274	NONE				PRINTED CIRCUIT REV. A			
			D662	1N645							
			D664	1N3606							

REV. A
 NUMBER M452-0-1
 SIZE CODE B CS

THIS SCHEMATIC IS FURNISHED ONLY FOR TEST AND MAINTENANCE PURPOSES. THE CIRCUITS ARE PROPRIETARY IN NATURE AND SHOULD BE TREATED ACCORDINGLY. COPYRIGHT 1967 BY DIGITAL EQUIPMENT CORPORATION

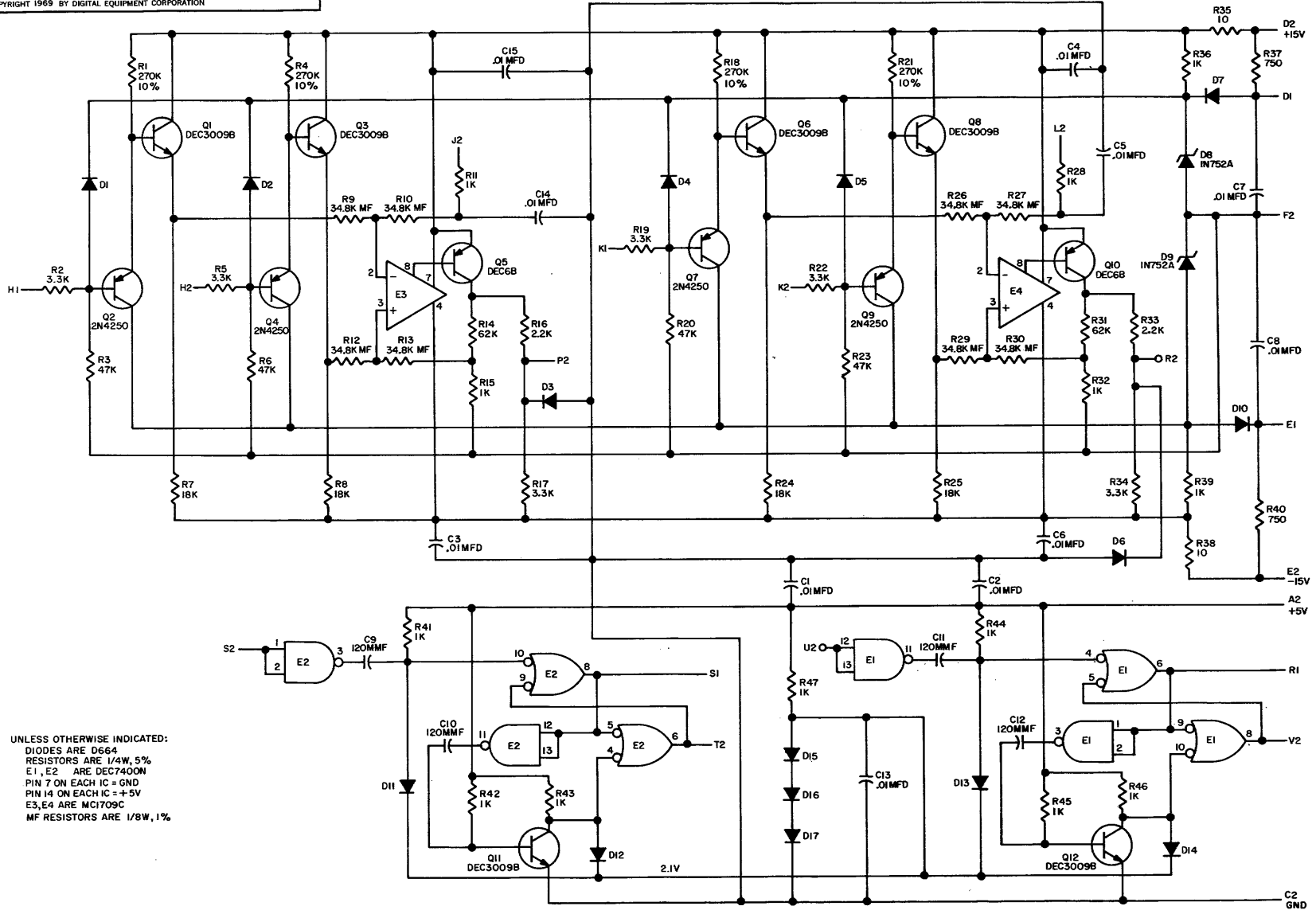


UNLESS OTHERWISE INDICATED:
 RESISTORS ARE 1/4 W, 5%
 CAPACITORS ARE .01 MFD
 C5 IS 35V, 10%, TANT.
 DIODES ARE D662
 E1 IS DEC7440N
 E2 IS DEC7474N
 E3 IS DEC7400N
 PIN 7 ON EACH IC = GND
 PIN 14 ON EACH IC = +5V
 R3 IS A #275P

 <----->

REVISIONS CHK CHG NO. REV.	DRN. <i>m. Waller</i>	DATE 4-7-67	TRANSISTOR & DIODE CONVERSION CHART			TITLE VARIABLE CLOCK M452																							
	CHK'D <i>[Signature]</i>	DATE 4/28/67	DEC	EIA		<table border="1"> <tr> <td>DEC 3009B</td> <td>2N3009</td> <td>DEC</td> <td>EIA</td> </tr> <tr> <td>DEC 6534B</td> <td>MPS6534</td> <td></td> <td></td> </tr> <tr> <td>D662</td> <td>IN645</td> <td></td> <td></td> </tr> <tr> <td>D664</td> <td>IN3606</td> <td></td> <td></td> </tr> </table>	DEC 3009B	2N3009	DEC	EIA	DEC 6534B	MPS6534			D662	IN645			D664	IN3606			<table border="1"> <tr> <td>SIZE</td> <td>CODE</td> <td>NUMBER</td> <td>REV.</td> </tr> <tr> <td>B</td> <td>CS</td> <td>M452-0-1</td> <td>A</td> </tr> </table>	SIZE	CODE	NUMBER	REV.	B	CS
DEC 3009B	2N3009	DEC	EIA																										
DEC 6534B	MPS6534																												
D662	IN645																												
D664	IN3606																												
SIZE	CODE	NUMBER	REV.																										
B	CS	M452-0-1	A																										
	PROD. 1	DATE			EQUIPMENT CORPORATION MAYNARD, MASSACHUSETTS	PRINTED CIRCUIT REV. A																							

THIS SCHEMATIC IS FURNISHED ONLY FOR TEST AND MAINTENANCE PURPOSES. THE CIRCUITS ARE PROPRIETARY IN NATURE AND SHOULD BE TREATED ACCORDINGLY. COPYRIGHT 1969 BY DIGITAL EQUIPMENT CORPORATION



UNLESS OTHERWISE INDICATED:
 DIODES ARE D664
 RESISTORS ARE 1/4W, 5%
 E1, E2 ARE DEC7400N
 PIN 7 ON EACH IC = GND
 PIN 14 ON EACH IC = +5V
 E3, E4 ARE MCI709C
 MF RESISTORS ARE 1/8W, 1%

REV. NUMBER M503-0-1

REVISIONS	DATE

DRN	BUTLER	DATE	5/1/69
CHKD		DATE	
ENG		DATE	
PROD.		DATE	

TRANSISTOR & DIODE CONVERSION CHART			
DEC	EIA	DEC	EIA
D664	IN3606		
DEC3009B	2N3009		
2N4250	NONE		
IN752A	SAME		
DEC6B	NONE		

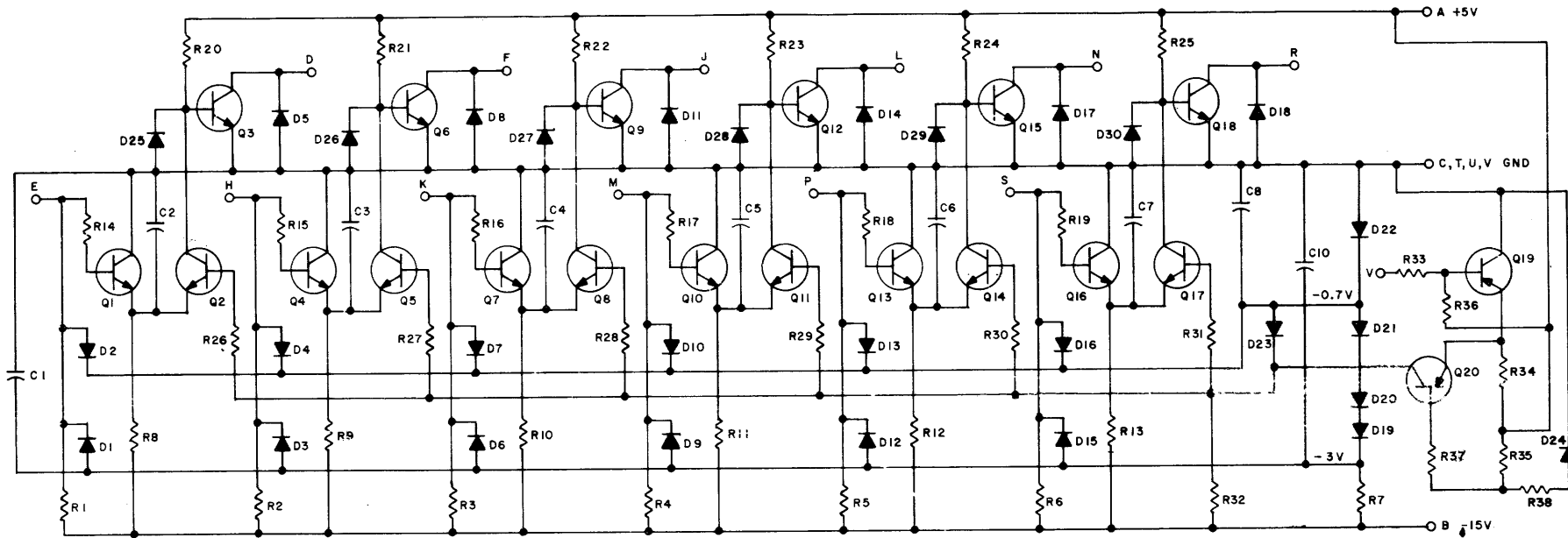
digital
 EQUIPMENT CORPORATION
 MAYNARD, MASSACHUSETTS

TITLE	SCHMITT TRIGGER M503
SIZE	C
CODE	CS
NUMBER	M503-0-1
REV.	

DEC FORM NO. DEC 102

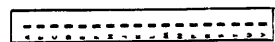
5 PINK DIST. 324, 434, 435

THIS SCHEMATIC IS FURNISHED ONLY FOR TEST AND MAINTENANCE PURPOSES. THE CIRCUITS ARE PROPRIETARY IN NATURE AND SHOULD BE TREATED ACCORDINGLY. COPYRIGHT 1968 BY DIGITAL EQUIPMENT CORPORATION



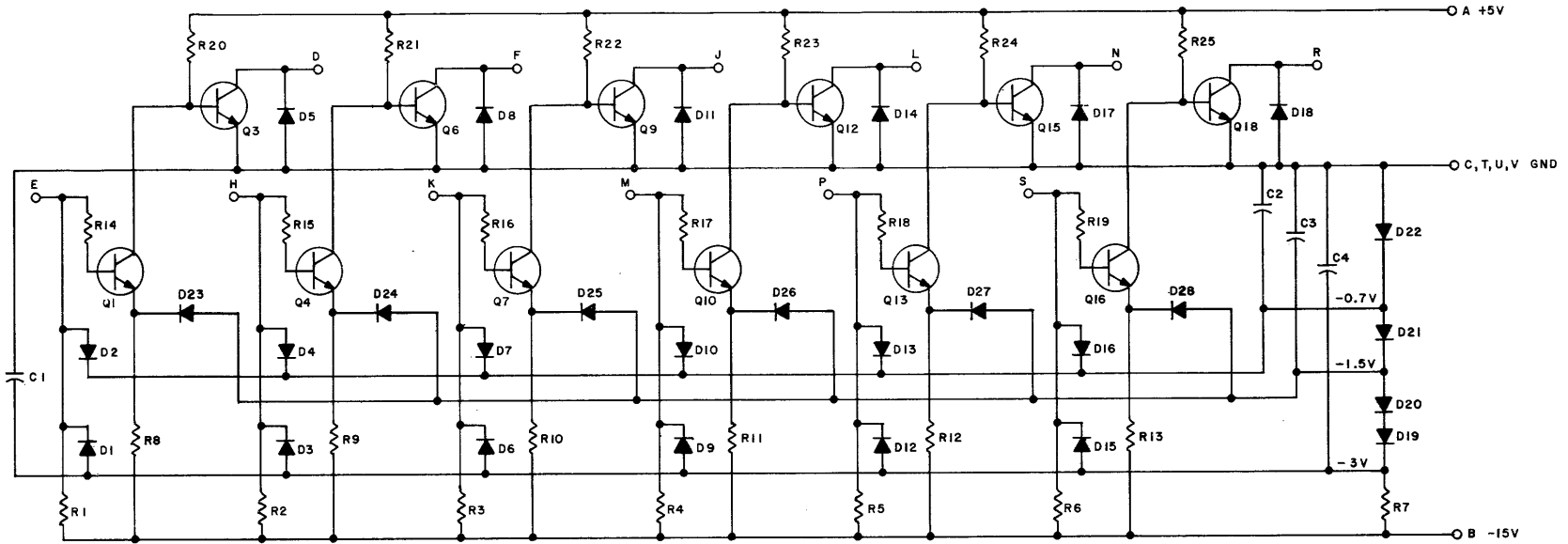
REV D
NUMBER
M507-0-1
SIZE CODE
C CS

REFERENCE DESIGNATION	DESCRIPTION	PART NO.
R34	RES. 100 1/4W 5% CC	1300229
R36	RES. 10K 1/4W 10% CC	1300481
R38	RES. 220 1/4W 10% CC	1300275
Q19, Q20	TRANSISTOR DEC2894-1B	1503097
Q1-Q18	TRANSISTOR DEC3009B-S	1503100
R20-R25, R35, R37	RES. 1K 1/4W 5% CC	1300365
R8-R13	RES. 2.2K 1/4W 5% CC	1300417
R14-R19, R26-R31, R33	RES. 470 1/4W 5% CC	1300316
R1-R7, R32	RES. 1.5K 1/4W 5% CC	1300391
C2-C7	CAP. 470 MMF 100V 5% DM	1000024
C1, C8, C10	CAP. .01 MFD 100V 20% DISC	1001610
D19-D22, D24	DIODE D662	1100113
D1-D18, D23, D25-D30	DIODE D664	1100114
	PARTS LIST	A-PL-M507-0-0



REVISIONS CHG NO. REV. A 00001 A 00003 D	DRN. <i>W. Muller</i> DATE <i>8-23-68</i> CHK'D <i>W. Muller</i> DATE <i>8-23-68</i> ENG. <i>W. Muller</i> DATE <i>8/4/68</i> PROD.	TRANSISTOR & DIODE CONVERSION CHART <table border="1"> <tr> <th>DEC</th> <th>EIA</th> </tr> <tr> <td>DEC3009B</td> <td>2N3009</td> </tr> <tr> <td>D662</td> <td>1N645</td> </tr> <tr> <td>D664</td> <td>1N3606</td> </tr> <tr> <td>DEC2894-1B</td> <td>NONE</td> </tr> </table>	DEC	EIA	DEC3009B	2N3009	D662	1N645	D664	1N3606	DEC2894-1B	NONE	digital EQUIPMENT CORPORATION MATHEW, MASSACHUSETTS PRINTED CIRCUIT REV. F	TITLE BUS CONVERTER M507 SIZE CODE NUMBER REV. C CS M507-0-1 D
DEC	EIA													
DEC3009B	2N3009													
D662	1N645													
D664	1N3606													
DEC2894-1B	NONE													

THIS SCHEMATIC IS FURNISHED ONLY FOR TEST AND MAINTENANCE PURPOSES. THE CIRCUITS ARE PROPRIETARY IN NATURE AND SHOULD BE TREATED ACCORDINGLY. COPYRIGHT 1968 BY DIGITAL EQUIPMENT CORPORATION.



Q15, Q16, Q18	TRANSISTOR DEC3009B-S	1503100
Q1, Q3, Q4, Q6, Q7, Q9, Q10, Q12, Q13,	TRANSISTOR DEC3009B-S	1503100
R20-R25	RES. 1K 1/4W 5% CC	1300365
R8-R13	RES. 2.2K 1/4W 5% CC	1300417
R14-R19	RES. 470 1/4W 5% CC	1300316
R7	RES. 1.5K 1/4W 5% CC	1300391
R1-R6	RES. 7.5K 1/4W 5% CC	1301422
C1-C4	CAP. .01MFD 100V 20% DISC	1001610
D19-D22	DIODE D662	1100113
D1-D18, D23-D28	DIODE D664	1100114
	PARTS LIST	A-PL-M508-0-0
REFERENCE DESIGNATION	DESCRIPTION	PART NO.

PARTS LIST

TITLE
BUS CONVERTER M508

digital
EQUIPMENT
CORPORATION
MAYNARD, MASSACHUSETTS

SIZE CODE NUMBER REV
C CS M508-0-1 A

PRINTED CIRCUIT REV. C

REVISIONS
CHK CHG NO REV
00001 A

DRN
M. Haller
DATE
8-27-68

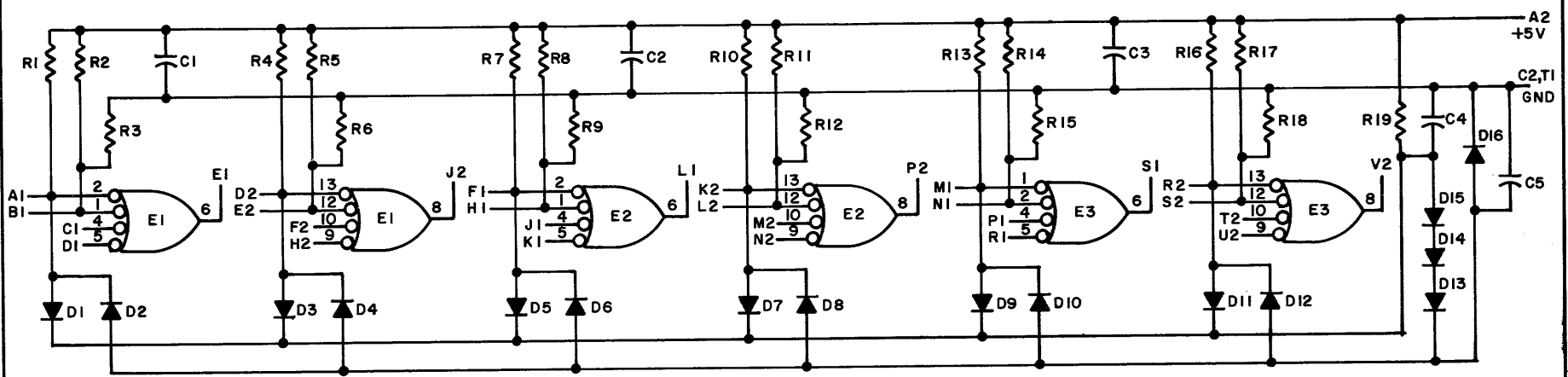
TRANSISTOR & DIODE CONVERSION CHART			
DEC		EIA	
DEC3009B	2N3009		
D662	1N645		
D664	1N3006		

DEC FORM NO
DRC 102

REV. A
NUMBER
M508-0-1
SIZE CODE
C CS

REV. NUMBER 1-0-919W SIZE B CS

THIS SCHEMATIC IS FURNISHED ONLY FOR TEST AND MAINTENANCE PURPOSES. THE CIRCUITS ARE PROPRIETARY IN NATURE AND SHOULD BE TREATED ACCORDINGLY. COPYRIGHT 1968 BY DIGITAL EQUIPMENT CORPORATION



NOTES:
PIN 7 ON EACH IC = GND
PIN 14 ON EACH IC = +5V

E1-E3	INTEGRATED CKT. DEC7420N	1905577
R19	RES. 330 1/4W 5% CC	1300295
R3,R6,R9,R12,R15,R18	RES. 1.5K 1/4W 5% CC	1300391
R2,R5,R8,R11,R14,R17	RES. 750 1/4W 5% CC	1301401
R1,R4,R7,R10,R13,R16	RES. 220 1/4W 5% CC	1300271
D13-D16	DIODE D662	1100113
D1-D12	DIODE D664	1100114
C1-C5	CAP. .01MFD 100V 20% DISC	1001610
PARTS LIST		A-PL-M516-0-0
REFERENCE DESIGNATION	DESCRIPTION	PART NO.
PARTS LIST		

REVISIONS
CHK'G NO. REV.

DRN. *M. Walker* DATE 6-20-68
CHK'D *R. Sprinkle* DATE 6-20-68
ENG. *H. G. ...* DATE 7/1/68
PROD. DATE

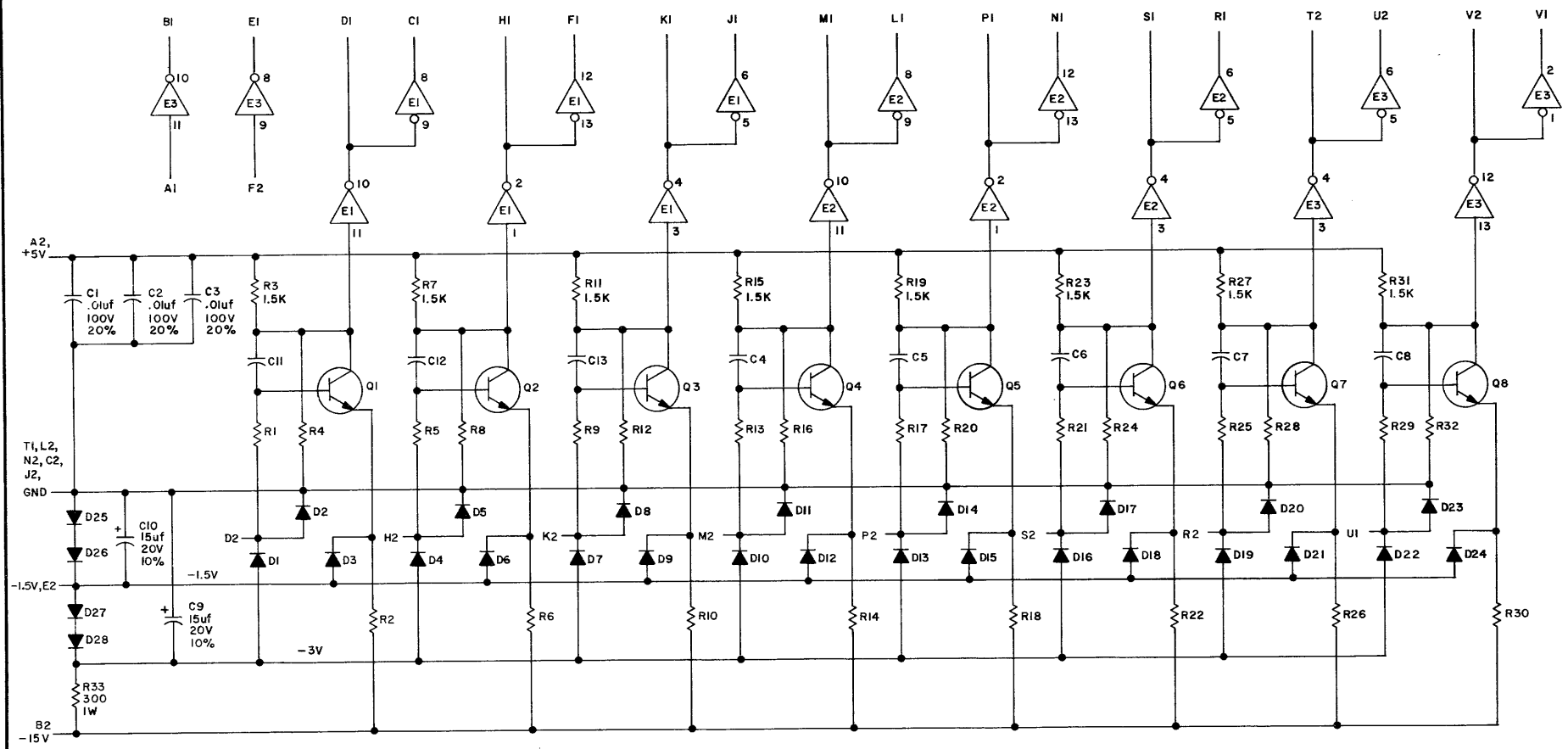
TRANSISTOR & DIODE CONVERSION CHART			
DEC		EIA	
D662		IN645	
D664		IN3606	

digital
EQUIPMENT CORPORATION
MAYNARD, MASSACHUSETTS

TITLE POSITIVE BUS RECEIVER M516
SIZE B CODE CS NUMBER M516-0-1 REV.
PRINTED CIRCUIT REV. A

Dist 324 434 435

THIS SCHEMATIC IS FURNISHED FOR TEST AND MAINTENANCE PURPOSES. THE CIRCUITS ARE PROPRIETARY IN NATURE AND SHOULD BE TREATED ACCORDINGLY. COPYRIGHT 1970 BY DIGITAL EQUIPMENT CORPORATION



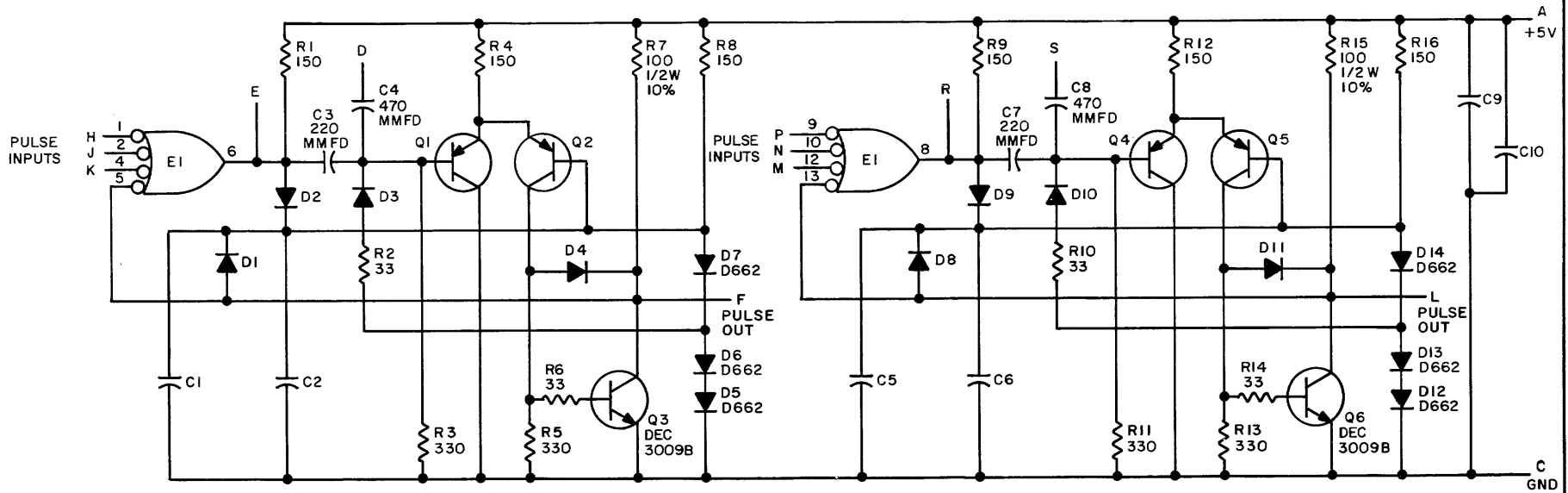
UNLESS OTHERWISE INDICATED:
 RESISTORS ARE 3K, 1/4W, 5%
 DIODES ARE D664
 CAPACITORS ARE 150 pf, 100V, 5%
 TRANSISTORS ARE DEC3009B
 IC'S ARE DEC7404

REV. A
 NUMBER M531-0-1
 SIZE CODE C CS

REVISIONS CHK'D. NO. REV. A 100001	DRN Nancy Moore DATE 3/5/70	TRANSISTOR & DIODE CONVERSION CHART				TITLE NEGATIVE BUS CONVERTER		
	CHK'D. R. Williams DATE	DEC DEC3009B	EIA 2N3009	DEC D664	EIA IN3606	digital	EQUIPMENT CORPORATION MAYNARD, MASSACHUSETTS	
	ENG. G. Luby DATE 4/8/70	DEC DEC3009B	EIA 2N3009	DEC D664	EIA IN3606	SIZE C CODE CS	NUMBER M531-0-1	REV. A
	PRD. W. Wall DATE 6/9/70	DEC DEC3009B	EIA 2N3009	DEC D664	EIA IN3606	PRINTED CIRCUIT REV. A	REV. A	REV. A

REV. B
 NUMBER M602-0-1
 CS B
 CODE B
 SIZE B

THIS SCHEMATIC IS FURNISHED ONLY FOR TEST AND MAINTENANCE PURPOSES. THE CIRCUITS ARE PROPRIETARY IN NATURE AND SHOULD BE TREATED ACCORDINGLY. COPYRIGHT 1967 BY DIGITAL EQUIPMENT CORPORATION



UNLESS OTHERWISE INDICATED:
 TRANSISTORS ARE DEC3639B
 DIODES ARE D664
 RESISTORS ARE 1/4W, 5%
 CAPACITORS ARE .01 MFD
 PIN 7 ON IC = GND
 PIN 14 ON IC = +5V
 IC IS DEC74H40N

 <----->

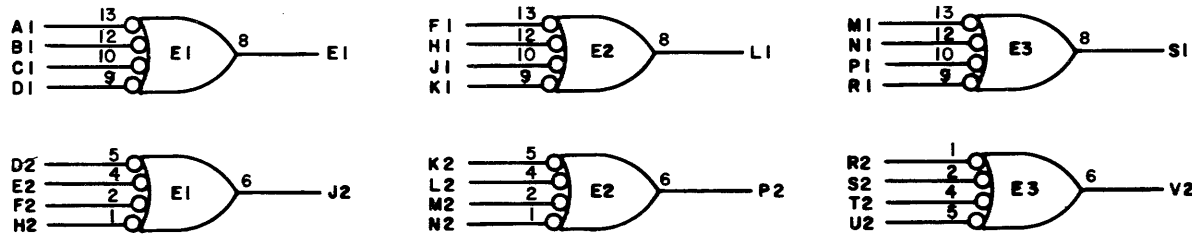
REVISIONS CHK'G NO. REV. B 6720	DRN. <i>M. Paller</i>	DATE 6-1-67	TRANSISTOR & DIODE CONVERSION CHART				digital EQUIPMENT CORPORATION MAYNARD, MASSACHUSETTS	TITLE PULSE GENERATOR M602			
	CHK'D <i>[Signature]</i>	DATE 6-8-67	DEC	EIA	DEC	EIA		SIZE B	CODE CS	NUMBER M602-0-1	REV. B
	ENG. <i>[Signature]</i>	DATE 6-8-67	DEC3009B	2N3009							
	PROD. I	DATE	DEC3639B	2N3639							
			D662	IN645							
			D664	IN3606							

↓

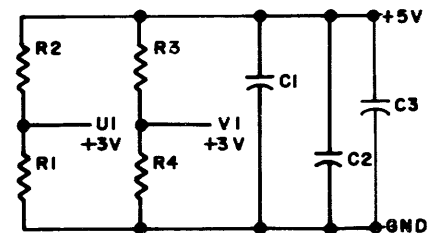
E	REV	M617-0-1	NUMBER	B	CS	SIZE
---	-----	----------	--------	---	----	------

THIS SCHEMATIC IS FURNISHED ONLY FOR TEST AND MAINTENANCE PURPOSES. THE CIRCUITS ARE PROPRIETARY IN NATURE AND SHOULD BE TREATED ACCORDINGLY. COPYRIGHT 1967 BY DIGITAL EQUIPMENT CORPORATION

+5V ——— A 2
 NOT USED -15V ——— B 2
 GND ——— C 2, T 1



NOTES:
 PIN 7 ON EACH IC = GND
 PIN 14 ON EACH IC = +5V



E1 THRU E3	INTEGRATED CKT. DEC7440N	1905579
R2 & R3	RES 330 1/4W 10% CC	1300293
R1 & R4	RES. 750 1/4W 5% CC	1301401
C1 & C2 & C3	CAP. .01MFD 100V 20% DISC	1001610
	PARTS LIST	A-PL-M617-0-0
REFERENCE DESIGNATION	DESCRIPTION	PART NO.

PARTS LIST

REV	CHG NO	REV
A	6422	A
B	6824	B
C	00001	C
D	00002	D
E	00003	E

DRN: *Dr. Walker* DATE: 3-15-67
 CHK'D: *W. Morgan* DATE: 4-21-67
 ENG: *J. White* DATE: 4-21-67
 PROD: DATE:

TRANSISTOR & DIODE CONVERSION CHART			
DEC	EIA	DEC	EIA

digital
 EQUIPMENT CORPORATION
 MAYNARD MASSACHUSETTS

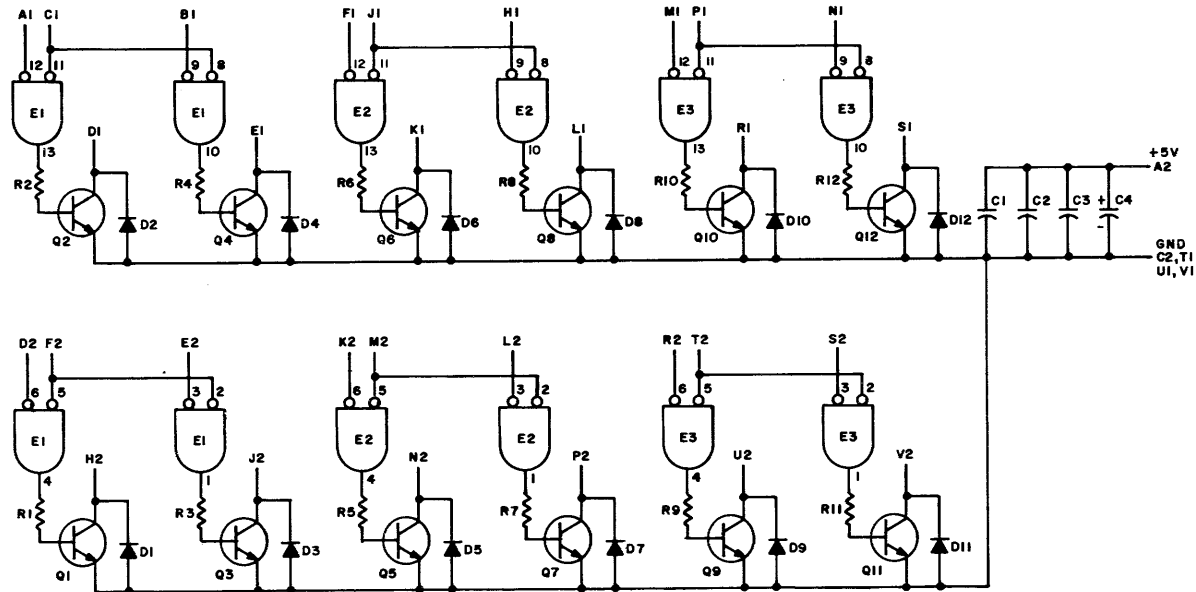
TITLE: 6-4 INPUT NOR BUFFERS M617			
SIZE B	CODE CS	NUMBER M617-0-1	REV. E
PRINTED CIRCUIT REV. A			

DIST: 324 434 #35³

↑

Pink 5

THIS SCHEMATIC IS FURNISHED ONLY FOR TEST AND MAINTENANCE PURPOSES. THE CIRCUITS ARE PROPRIETARY IN NATURE AND SHOULD BE TREATED ACCORDINGLY. COPYRIGHT 1968 BY DIGITAL EQUIPMENT CORPORATION



NOTES:
PIN 7 ON EACH IC = GND
PIN 14 ON EACH IC = +5V

E1 - E3	INTEGRATED CKT. DEC7402	1909004
Q1 - Q12	TRANSISTOR DEC3009B	1503100
R1 - R12	RES. 390 1/4W 5% CC	1300309
D1 - D12	DIODE D664	1100114
C4	CAP. 6.8MFD 35V 20% STANT	1000067
C1 - C3	CAP. .01MFD 100V 20% DISC	1001610
	PARTS LIST	A-PL-M623-O-O
REFERENCE DESIGNATION	DESCRIPTION	PART NO.

REVISIONS	CHK'G NO.	REV.
1	00002	B
2	00003	D
3	00005	E

DRW.	DATE
M. Hall	6-7-68
CHK'D	DATE
[Signature]	11/16
DESIGNED BY	DATE
[Signature]	2/1/68

TRANSISTOR & DIODE CONVERSION CHART			
DEC	EIA	DEC	EIA
D664	1N3408		
DEC3009B	2N3009		

digital		TITLE	
EQUIPMENT CORPORATION		BUS DRIVER M623	
SIZE	CODE	NUMBER	REV.
C	CS	M623-0-1	E
PRINTED CIRCUIT REV.			DE

DEC FORM NO. DRC 102

PINK

5

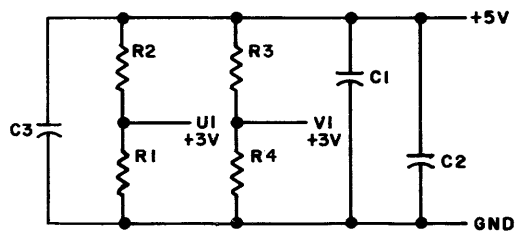
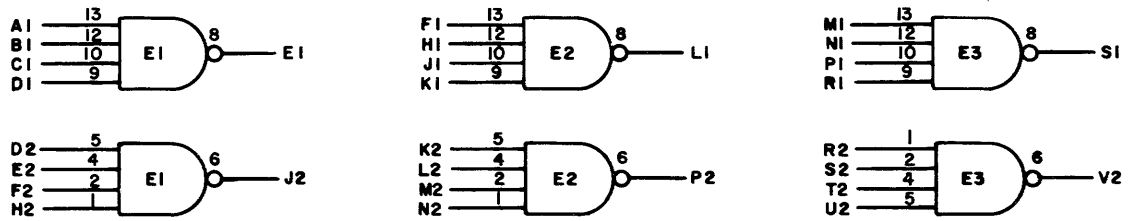
Dist. 324/434/425

REV. E
NUMBER M623-0-1
C CS

REV F
 NUMBER M627-0-1
 CS B
 SIZE CODE

THIS SCHEMATIC IS FURNISHED ONLY FOR TEST AND MAINTENANCE PURPOSES. THE CIRCUITS ARE PROPRIETARY IN NATURE AND SHOULD BE TREATED ACCORDINGLY. COPYRIGHT 1967 BY DIGITAL EQUIPMENT CORPORATION.

+5V ——— A2
 NOT USED -15V ——— B2
 GND ——— C2, T1



NOTES:
 PIN 7 ON EACH IC = GND
 PIN 14 ON EACH IC = +5V

E1 THRU E3	INTEGRATED CKT. DEC74H40	1905586
R2 & R3	RES. 330 1/4W 10% CC	1300293
R1 & R4	RES. 750 1/4W 5% CC	1301401
C1 THRU C3	CAP. .01 MFD 100V 20% DISC	1001610
	PARTS LIST	A-PL-M627-0-0
REFERENCE DESIGNATION	DESCRIPTION	PART NO.

REV	CHG	NO	REV
1	6825	A	
2	00001	B	
3	00002	E	
4	00003	F	

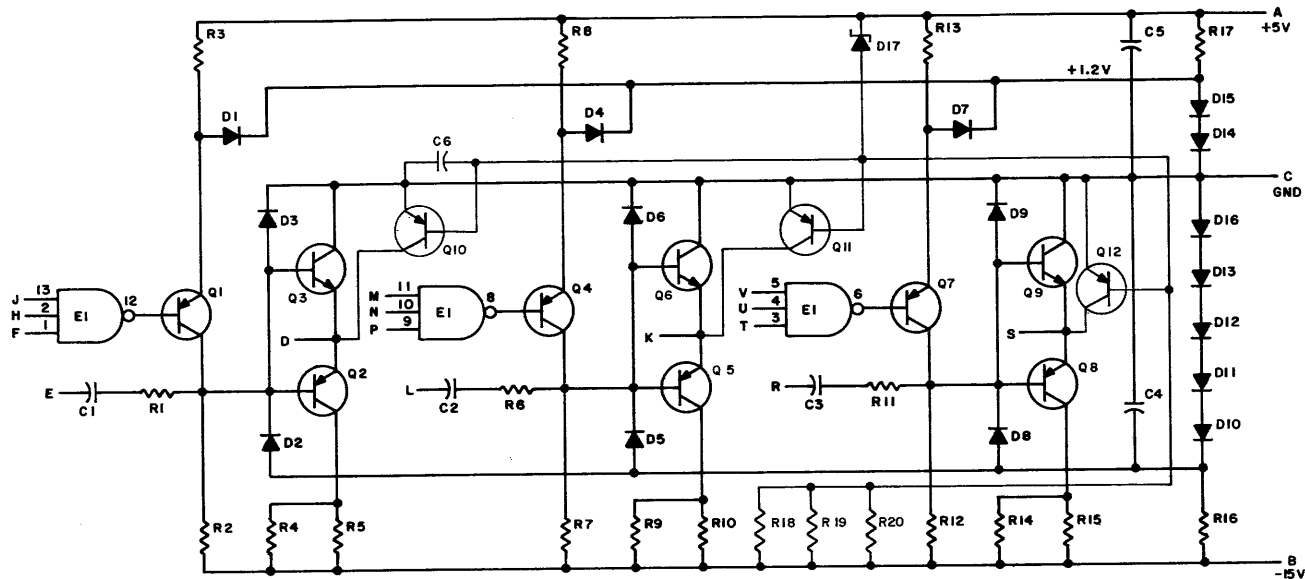
DRN. *M. Noller* DATE 7-18-67
 CHK'D *[Signature]* DATE 7/19/67
 ENGR *M. J. Gordon* DATE 7/10
 PROD *[Signature]* DATE

TRANSISTOR & DIODE CONVERSION CHART			
DEC	EIA	DEC	EIA

digital
 EQUIPMENT CORPORATION
 MAYNARD, MASSACHUSETTS

TITLE POWER AMPLIFIER MODULE M627
 SIZE B CODE CS NUMBER M627-0-1 REV. F
 PRINTED CIRCUIT REV. A

THIS SCHEMATIC IS FURNISHED ONLY FOR TEST AND MAINTENANCE PURPOSES. THE CIRCUITS ARE PROPRIETARY IN NATURE AND SHOULD BE TREATED ACCORDINGLY. COPYRIGHT 1969 BY DIGITAL EQUIPMENT CORPORATION



E1	INTEGRATED CKT. DEC7410N	1905576
Q3, Q6, Q9	TRANSISTOR DEC 3009 B-S	1503100
Q1, Q2, Q4, Q5, Q7, Q8, Q10, Q11, Q12	TRANSISTOR DEC 6534B	1503409-01
R16, R18, R19, R20	RES. 15K 1/4W 5% CC.	1300391
R4, R5, R9, R10, R14, R15	RES. 1K 1/4W 5% CC.	1300365
R3, R8, R13	RES. 470 1/4W 10% CC.	1300317
R2, R7, R12, R17	RES. 3K 1/4W 5% CC.	1300432
R1, R6, R11	RES. 82 1/4W 10% CC.	1300224
D17	DIODE IN750A	1100124
D10 - D16	DIODE D662	1100113
D1 - D9	DIODE D664	1100114
C4, C5, C6	CAP. .01 MFD 100V 20% DISC.	1001610
C1, C2, C3	CAP. 330 MMF 100V 5% D.M.	1000023
	PARTS LIST	A-PL-M651-0-0
REFERENCE DESIGNATION	DESCRIPTION	PART NO.
	PARTS LIST	

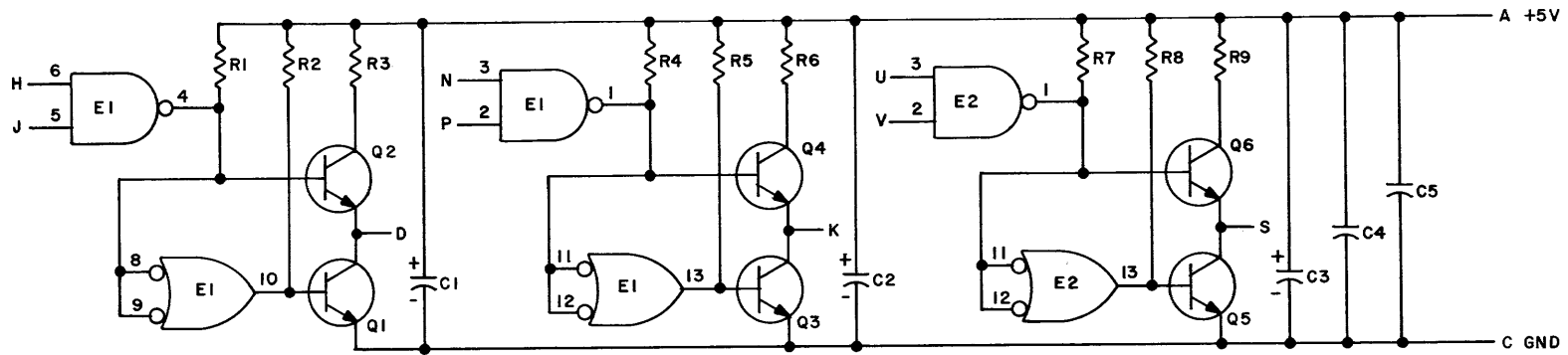
REVISIONS		DATE		TRANSISTOR & DIODE CONVERSION CHART		TITLE	SIZE	CODE	NUMBER	REV
CHK	ENG	DATE	DEC	EIA	DEC					
			2-5-69							
			2-17-66	DEC5009B	2N3009					
			2-17-66	DEC6534B	MPS6534					
			2-17-66	D662	IN645					
				D664	IN3606					
				IN750A	SAME					

5 2/27 324 4/35 3 PINK

REV. NUMBER
B
C I CS M651-0-1

REV. A
 NUMBER M660-0-1
 SIZE CODE B CS

THIS SCHEMATIC IS FURNISHED ONLY FOR TEST AND MAINTENANCE PURPOSES. THE CIRCUITS ARE PROPRIETARY IN NATURE AND SHOULD BE TREATED ACCORDINGLY. COPYRIGHT 1968 BY DIGITAL EQUIPMENT CORPORATION



NOTES:
 PIN 7 ON EACH IC = GND
 PIN 14 ON EACH IC = +5V

E1, E2	INTEGRATED CKT. DEC7401N	1905590
Q1 - Q6	TRANSISTOR DEC3009B-S	1503100
R3, R6, R9	RES. 27 1/2W 5% CC	1302253
R2, R5, R8	RES. 1.5K 1/4W 5% CC	1300391
R1, R4, R7	RES. 470 1/4W 5% CC	1300316
C4, C5	CAP. .01MFD 100V 20% DISC	1001610
C1 - C3	CAP. 6.8MFD 35V 20% S.TANT	1000067
	PARTS LIST	A-PL-M660-0-0
REFERENCE DESIGNATION	DESCRIPTION	PART NO.

PARTS LIST		TITLE	
		POSITIVE LEVEL DRIVER M660	
SIZE	CODE	NUMBER	REV.
B	CS	M660-0-1	A
PRINTED CIRCUIT REV.			B

REVISIONS CHK CHG NO. REV. 00001 A	DRN.	DATE
	<i>M. Miller</i>	7-12-68
	CHK'D	DATE
	<i>M. Miller</i>	7/12/68
	ENG.	DATE
<i>H. Campbell</i>	7/24/68	
PROD.	DATE	

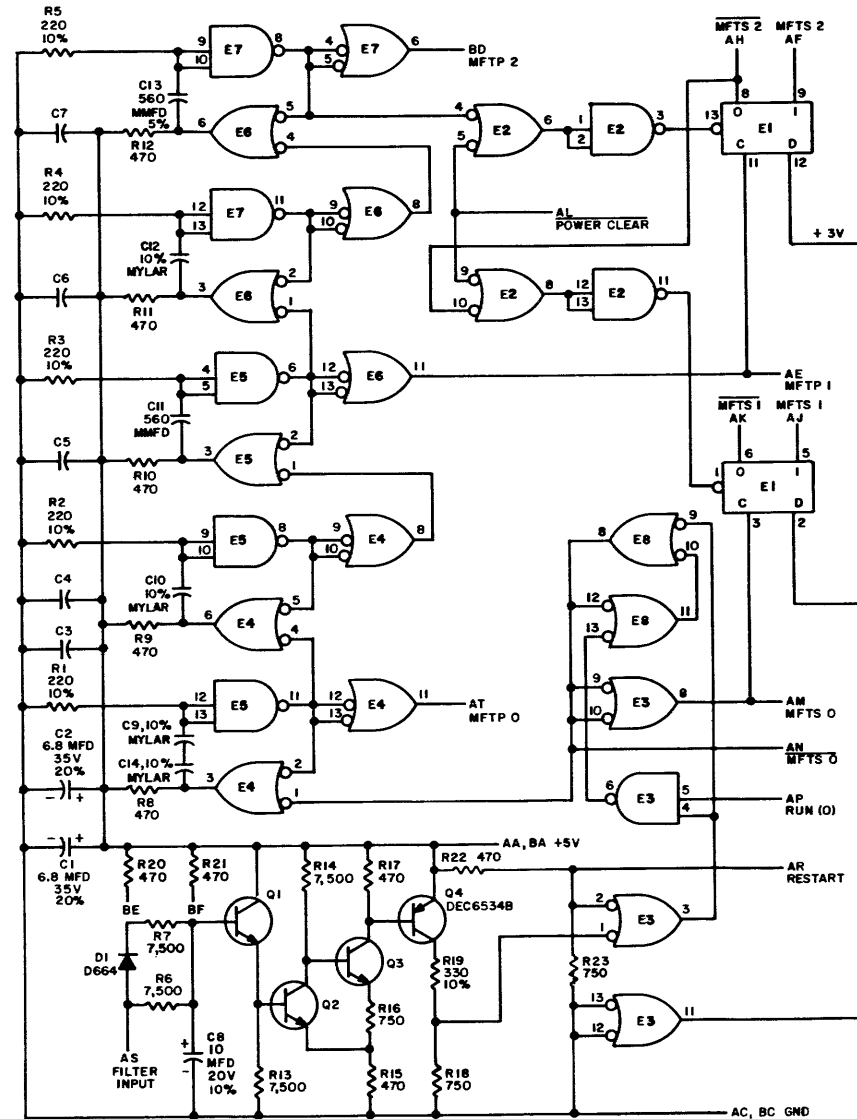
TRANSISTOR & DIODE CONVERSION CHART			
DEC		EIA	
D664	IN3606		
1N750	SAME		
DEC3009B	2N3009		

digital
 EQUIPMENT CORPORATION
 MAYNARD, MASSACHUSETTS

PINK

DIST. 1434 435 324

THIS SCHEMATIC IS FURNISHED ONLY FOR TEST AND MAINTENANCE PURPOSES. THE CIRCUITS ARE PROPRIETARY IN NATURE AND SHOULD BE TREATED ACCORDINGLY. COPYRIGHT 1967 BY DIGITAL EQUIPMENT CORPORATION



UNLESS OTHERWISE INDICATED:
 TRANSISTORS ARE DEC3009B
 CAPACITORS ARE .01 MFD, 100V, 20%
 RESISTORS ARE 1/4W, 5%
 E1 IS DEC744
 E2, E3, E4, E5, E6, E7, E8 ARE DEC7400
 PIN 7 ON EACH IC = GND
 PIN 14 ON EACH IC = +5V

PARTS LIST A-PL-M700-0-0

REV.	CHG NO.	REV.
1	8829	A
2	00001	B
3	00002	C
4	00003	E

DRN	DATE	TRANSISTOR & DIODE CONVERSION CHART			
Mr. Walker	9-27-67	DEC	EIA	DEC	EIA
CHK'D	DATE	DEC3009B	2N3009		
DATE	5/5/69	DEC6534B	MPS6534		
DATE	5/5/67	D664	1N3606		
PROD.	DATE				

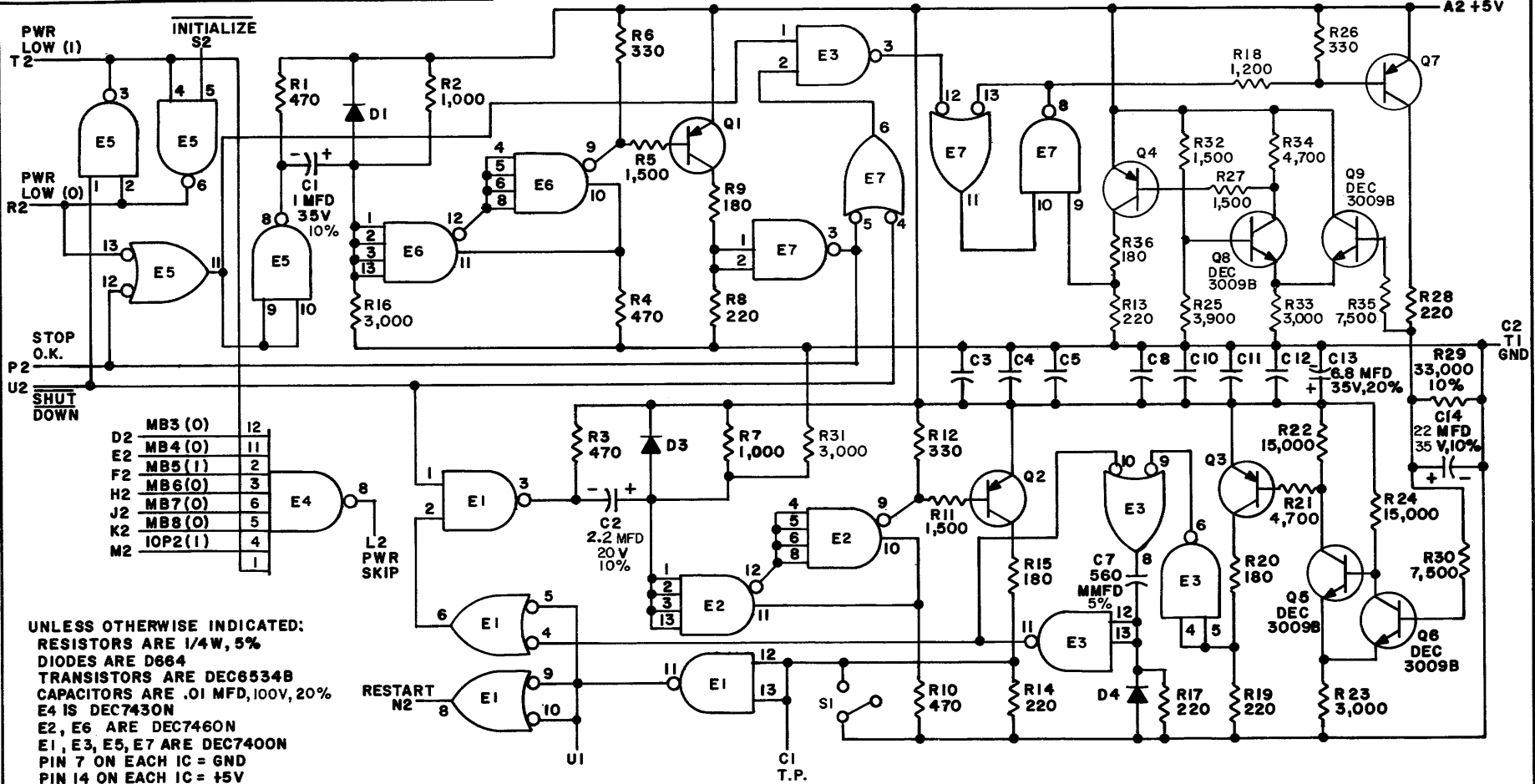
digital
 EQUIPMENT CORPORATION
 MAYNARD, MASSACHUSETTS

TITLE MANUAL TIMING GENERATOR M700
 SIZE C CODE CS NUMBER M700-0-1 REV. E
 PRINTED CIRCUIT REV. E

REV. E
 NUMBER M700-0-1
 SIZE CODE CS

REV. J
 NUMBER M703-0-1
 SIZE CODE B CS
 TITLE POWER FAIL M703

THIS SCHEMATIC IS FURNISHED ONLY FOR TEST AND MAINTENANCE PURPOSES. THE CIRCUITS ARE PROPRIETARY IN NATURE AND SHOULD BE TREATED ACCORDINGLY. COPYRIGHT 1967 BY DIGITAL EQUIPMENT CORPORATION



UNLESS OTHERWISE INDICATED:
 RESISTORS ARE 1/4W, 5%
 DIODES ARE D664
 TRANSISTORS ARE DEC6534B
 CAPACITORS ARE .01 MFD, 100V, 20%
 E4 IS DEC7430N
 E2, E6 ARE DEC7460N
 E1, E3, E5, E7 ARE DEC7400N
 PIN 7 ON EACH IC = GND
 PIN 14 ON EACH IC = +5V
 S1 IS SWITCH #6AT1-T2

PARTS LIST A-PL-M703-0-0

REV.	CHK	CHG	NO.	REV.
B	6	6	17	C
C	7	1	48	D
D	7	1	25	E
E	7	1	65	F
F	0	0	001	J
J	0	0	0004	

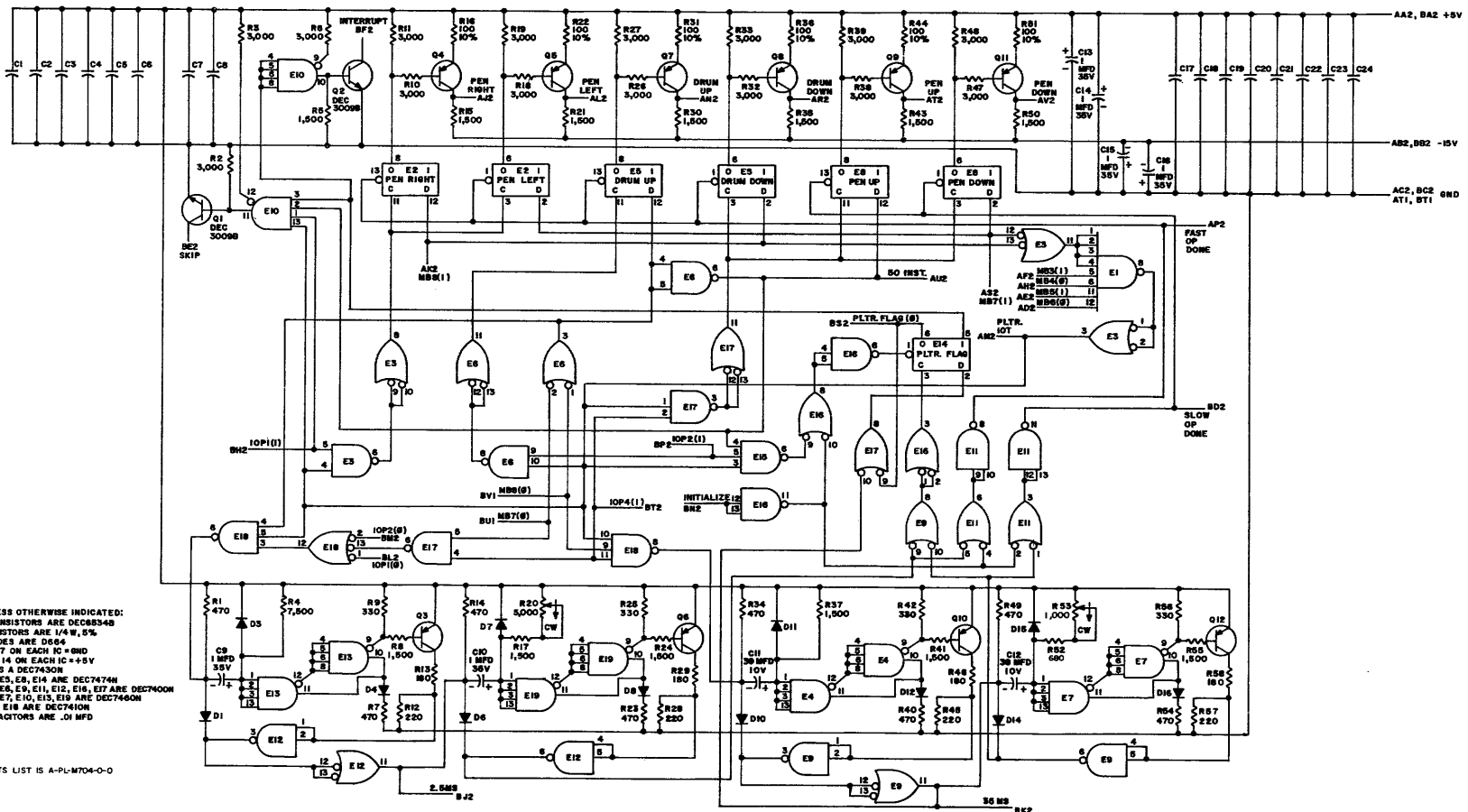
DRN. <i>M. Keller</i>	DATE <i>9-27-67</i>
CHK'D	DATE
DATE	DATE
PROD. 2	DATE

TRANSISTOR & DIODE CONVERSION CHART			
DEC	EIA	DEC	EIA
DEC6534B	MPS6534		
D664	IN3606		
DEC3009B	2N3009		

digital
 EQUIPMENT CORPORATION
 MAYNARD, MASSACHUSETTS

SIZE B	CODE CS	NUMBER M703-0-1	REV. J
PRINTED CIRCUIT REV. J			

THIS SCHEMATIC IS FURNISHED ONLY FOR TEST AND MAINTENANCE PURPOSES. THE CIRCUITS ARE PROPRIETARY IN NATURE AND SHOULD BE TREATED ACCORDINGLY. COPYRIGHT 1967 BY DIGITAL EQUIPMENT CORPORATION.



UNLESS OTHERWISE INDICATED:
 TRANSISTORS ARE DEC68348
 RESISTORS ARE 1/4 W, 5%
 DIODES ARE D664
 PIN 7 ON EACH IC = GND
 PIN 14 ON EACH IC = +5V
 E1 IS A DEC7430R
 E2, E3, E8, E14 ARE DEC7474N
 E5, E6, E9, E11, E12, E16, E17 ARE DEC7400N
 E4, E7, E10, E15, E19 ARE DEC7460N
 E15, E18 ARE DEC7460N
 CAPACITORS ARE .01 MFD

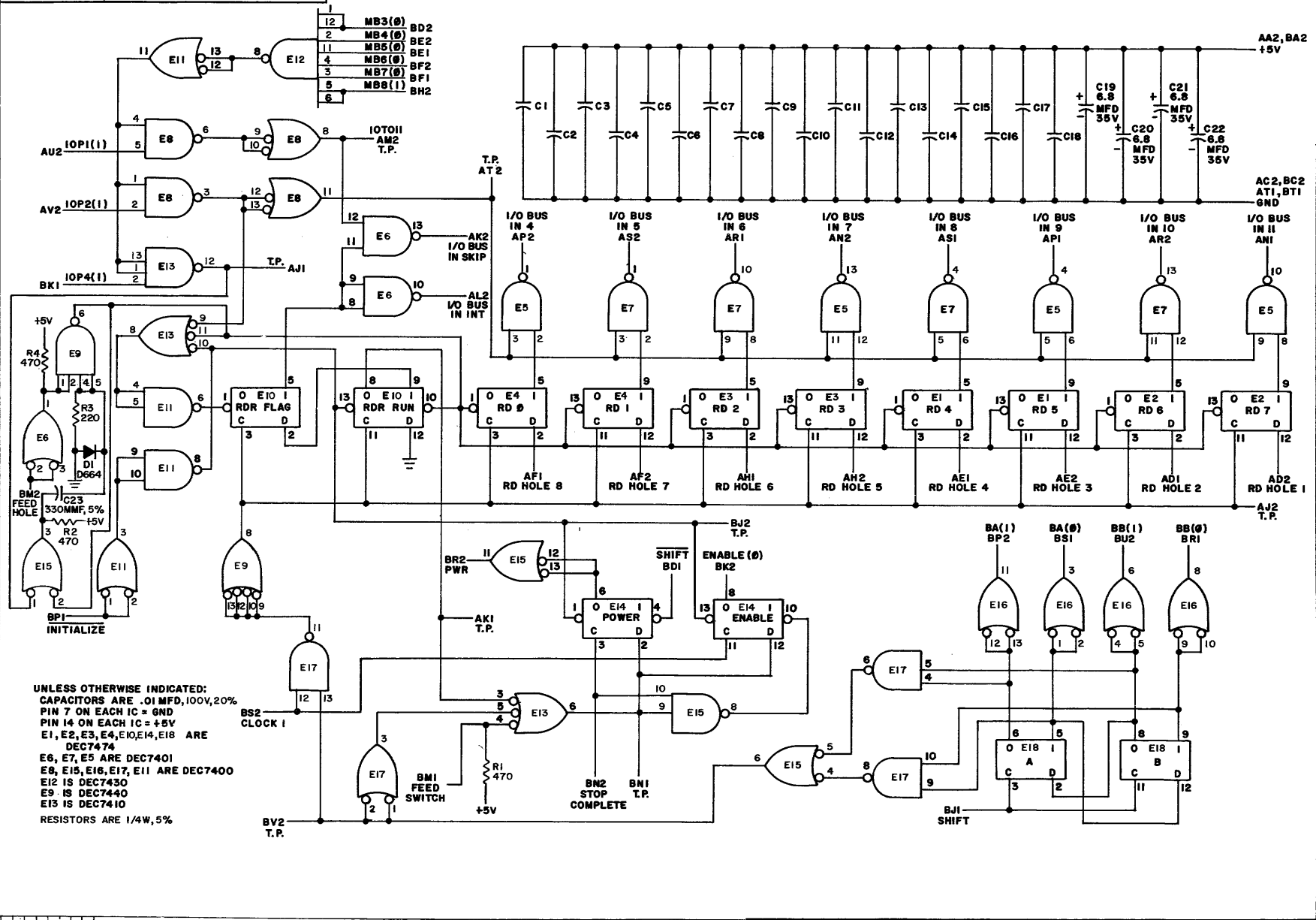
PARTS LIST IS A-PL-M704-0-0

REV. 11/67 1-0-1704-0-1

REVISIONS		DATE		TRANSISTOR & DIODE CONVERSION CHART		TITLE
NO.	DESCRIPTION	BY	CHKD.	TRANSISTOR	DIODE	
1	ASSEMBLED	DEC 30 1967	EA			1
2	DESIGNED	DEC 29 1967	EA			2
3	TESTED	DEC 29 1967	EA			3
4	REWORKED	DEC 29 1967	EA			4
5	REWORKED	DEC 29 1967	EA			5
6	REWORKED	DEC 29 1967	EA			6
7	REWORKED	DEC 29 1967	EA			7
8	REWORKED	DEC 29 1967	EA			8
9	REWORKED	DEC 29 1967	EA			9
10	REWORKED	DEC 29 1967	EA			10

digital		PLOTTER CONTROL M704	
EQUIPMENT CORPORATION	SALE CODE	NUMBER	REV
1-0-1704-0-1	D	CS	M704-0-1
PRINTED CIRCUIT REV.	8		

THIS SCHEMATIC IS FURNISHED ONLY FOR TEST AND MAINTENANCE PURPOSES. THE CIRCUITS ARE PROPRIETARY IN NATURE AND SHOULD BE TREATED ACCORDINGLY. COPYRIGHT 1967 BY DIGITAL EQUIPMENT CORPORATION



UNLESS OTHERWISE INDICATED:
 CAPACITORS ARE .01 MFD, 100V, 20%
 PIN 7 ON EACH IC = GND
 PIN 14 ON EACH IC = +5V
 E1, E2, E3, E4, E10, E14, E18 ARE
 DEC7474
 E6, E7, E5 ARE DEC7401
 E8, E15, E16, E17, E11 ARE DEC7400
 E12 IS DEC7430
 E9 IS DEC7440
 E13 IS DEC7410
 RESISTORS ARE 1/4W, 5%

REV.	CHG	NO.	REV.
1	0	0	1
2	0	0	2
3	0	0	3
4	0	0	4
5	0	0	5

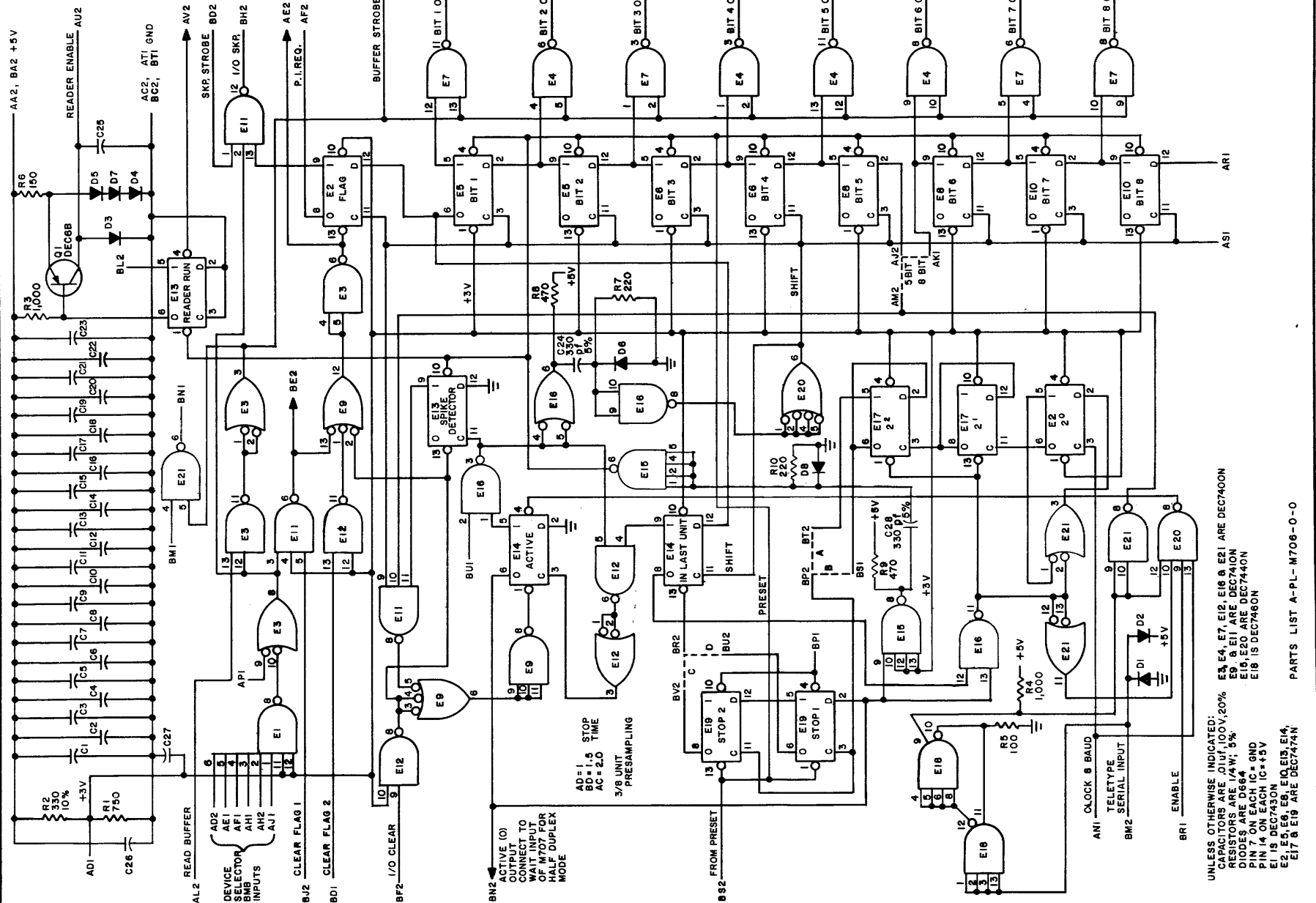
DRN. <i>M. Nellen</i>	DATE 10-6-67
CHK'D	DATE
ENG. <i>J. J. J.</i>	DATE
PROD. 2	DATE

TRANSISTOR & DIODE CONVERSION CHART			
DEC	EIA	DEC	EIA
D684	1N645		

digital		EQUIPMENT CORPORATION		MAYHARD, MASSACHUSETTS	
SIZE C	CODE CS	NUMBER M705-0-1	REV. J	TITLE READER CONTROL M705	
PRINTED CIRCUIT REV. J					

REV. J
 NUMBER M705-0-1
 SIZE CODE CS

THIS SCHEMATIC IS FURNISHED ONLY FOR TEST AND MAINTENANCE PURPOSES. THE CIRCUITS ARE PROPRIETARY IN NATURE AND SHOULD BE TREATED ACCORDINGLY. COPYRIGHT 1967 BY DIGITAL EQUIPMENT CORPORATION



REV	CHG NO	REV
A	538 B	
B	537 B	
C	712 B	
D	713 A	
E	00001	
F	00002	
G	00003	
H	00004	
I	00005	
L	00005	

AL2	READ BUFFER
AD2	DEVICE SELECTOR
AE1	INPUTS
AF1	INPUTS
AH1	INPUTS
AI2	INPUTS
BU2	CLEAR FLAG 1
BU1	CLEAR FLAG 2
BD1	I/O CLEAR
BF2	I/O CLEAR
BN2	ACTIVE (O) OUTPUT
AS1	WAIT INPUT
AS2	WAIT INPUT
AS3	WAIT INPUT
AS4	WAIT INPUT
AS5	WAIT INPUT
AS6	WAIT INPUT
AS7	WAIT INPUT
AS8	WAIT INPUT
AS9	WAIT INPUT
AS10	WAIT INPUT
AS11	WAIT INPUT
AS12	WAIT INPUT
AS13	WAIT INPUT
AS14	WAIT INPUT
AS15	WAIT INPUT
AS16	WAIT INPUT
AS17	WAIT INPUT
AS18	WAIT INPUT
AS19	WAIT INPUT
AS20	WAIT INPUT
AS21	WAIT INPUT
AS22	WAIT INPUT
AS23	WAIT INPUT
AS24	WAIT INPUT
AS25	WAIT INPUT
AS26	WAIT INPUT
AS27	WAIT INPUT
AS28	WAIT INPUT
AS29	WAIT INPUT
AS30	WAIT INPUT
AS31	WAIT INPUT
AS32	WAIT INPUT
AS33	WAIT INPUT
AS34	WAIT INPUT
AS35	WAIT INPUT
AS36	WAIT INPUT
AS37	WAIT INPUT
AS38	WAIT INPUT
AS39	WAIT INPUT
AS40	WAIT INPUT

DRN. *W. Koller* DATE *4-2-67*
 CHK'D *D. Reibman* DATE *4/2/67*
 EDC. *D. Reibman* DATE *6-2-67*
 PRD. DATE

TRANSISTOR & DIODE CONVERSION CHART			
DEC	EIA	DEC	EIA
DEC3009B	2N5009		
DEC69	NONE		
D684	1N3408		

digital EQUIPMENT CORPORATION
 MATHARD, MASSACHUSETTS

TITLE: TELETYPE RECEIVER M706

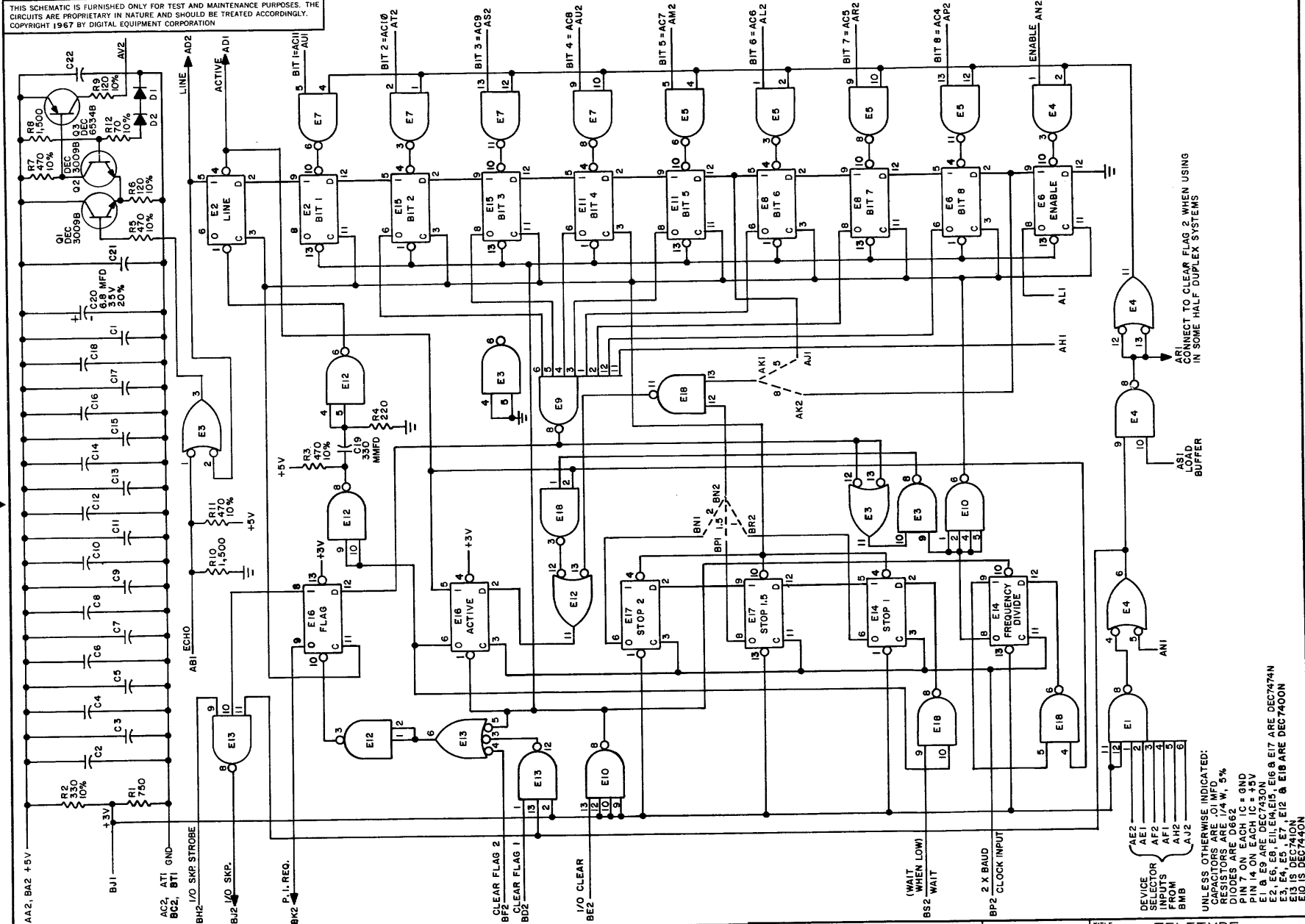
SIZE: C CS NUMBER: M706-0-1 REV: L

PRINTED CIRCUIT REV: K

UNLESS OTHERWISE INDICATED:
 RESISTORS ARE 1/4W, 100V, 20%
 RESISTORS ARE 1/4W, 5%
 DIODES ARE D684
 PIN 7 ON EACH IC = GND
 PIN 14 ON EACH IC = +5V
 E1 IS DEC7430N
 E2, E5, E6, E8, E10, E13, E14,
 E17 & E19 ARE DEC7474N

PARTS LIST A-PL-M706-0-0

THIS SCHEMATIC IS FURNISHED ONLY FOR TEST AND MAINTENANCE PURPOSES. THE CIRCUITS ARE PROPRIETARY IN NATURE AND SHOULD BE TREATED ACCORDINGLY. COPYRIGHT 1967 BY DIGITAL EQUIPMENT CORPORATION



REV	CHK	CHG NO	REV
1	W	6387	A
2	W	8579	B
3	W	00001	C
4	W	00002	C
5	W	00004	D

DRN	DATE	TRANSISTOR & DIODE CONVERSION CHART			
<i>M. Waller</i>	5-19-67	DEC	EIA	DEC	EIA
CHKD	DATE	D662	IN645		
<i>R. Robertson</i>	5/23/67	DEC30098	2N3009		
DES	DATE	DEC65348	MPS8534		
PROD	DATE				

digital
EQUIPMENT CORPORATION
MAYNARD, MASSACHUSETTS

TELETYPE TRANSMITTER M707

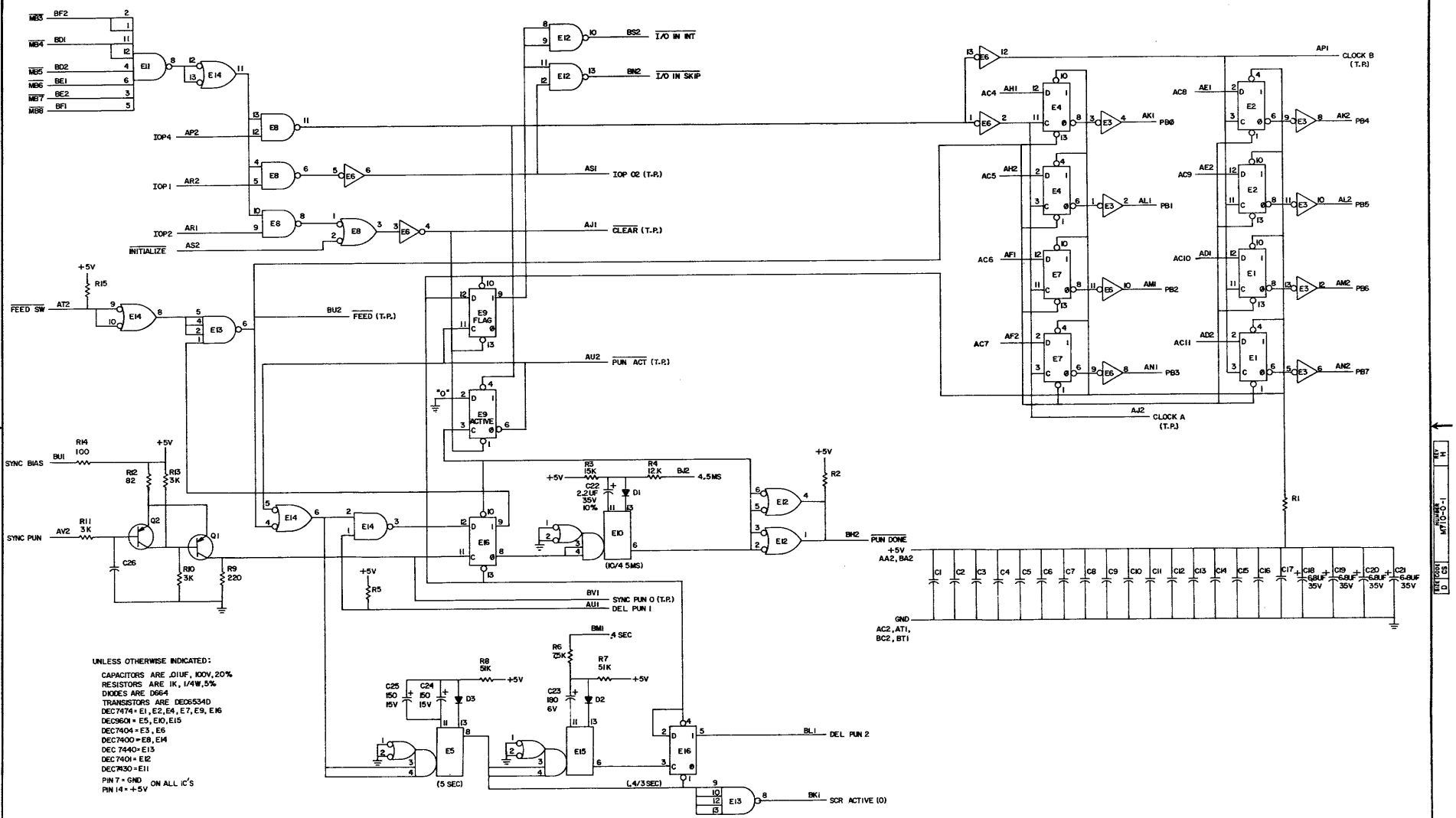
SIZE CODE CS M707-0-1

PRINTED CIRCUIT REV. 0

REV.	NUMBER	DATE
D		

DEC FORM NO.

THIS SCHEMATIC IS FURNISHED ONLY FOR TEST AND MAINTENANCE PURPOSES. THE CIRCUITS ARE PROPRIETARY IN NATURE AND SHOULD BE TREATED ACCORDINGLY. COPYRIGHT 1970 BY DIGITAL EQUIPMENT CORPORATION.

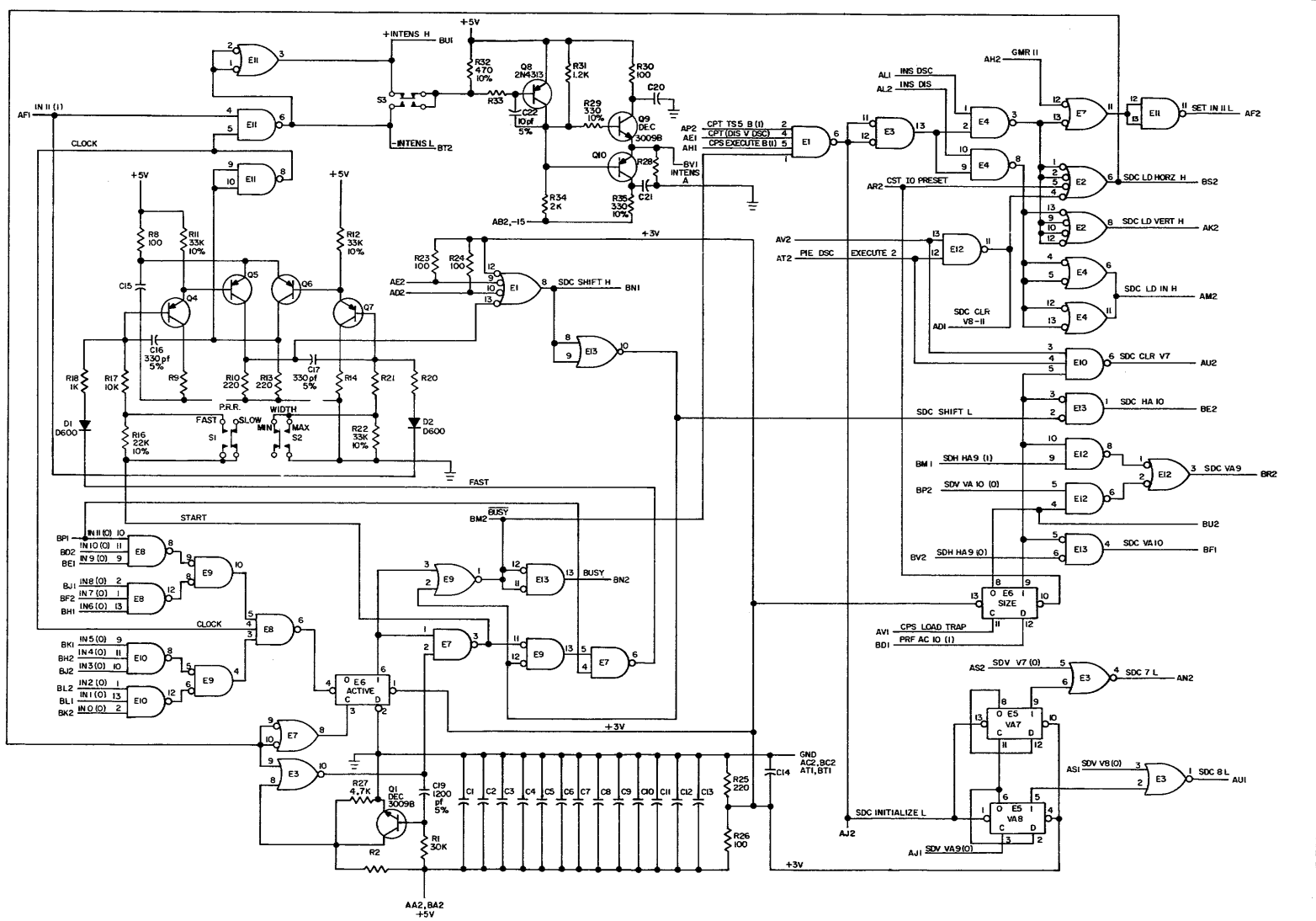


- UNLESS OTHERWISE INDICATED:
 CAPACITORS ARE .01UF, 100V, 20%
 RESISTORS ARE 1K, 1/4W, 5%
 DIODES ARE 1N964
 TRANSISTORS ARE 2N6534D
 DEC7474 = E1, E2, E4, E7, E9, E16
 DEC9801 = E5, E10, E15
 DEC7404 = E3, E6
 DEC7400 = E9, E14
 DEC7440 = E13
 DEC7401 = E12
 DEC7930 = E11
 PIN 7 = GND ON ALL IC'S
 PIN 14 = +5V

REV. 1	DATE	BY	TRANSISTOR & DIODE CONVERSION CHART	TITLE
			DEC E1A DEC844 NEG408 DATE DECE844 NONE	digital PUNCH CONTROL M710
DESIGNED BY	DATE	BY	DEC	MEMBER
DRW. DATE				D S CS M710-0-1
PROJ. DATE				REV. H
				PRINTED CIRCUIT REV. E

THIS SCHEMATIC IS FURNISHED ONLY FOR TEST AND MAINTENANCE PURPOSES. THE CIRCUITS ARE PROPRIETARY IN NATURE AND SHOULD BE TREATED ACCORDINGLY. COPYRIGHT 1969 BY DIGITAL EQUIPMENT CORPORATION

1-0-114PM SD 1 0
 1000 2075



UNLESS OTHERWISE INDICATED:

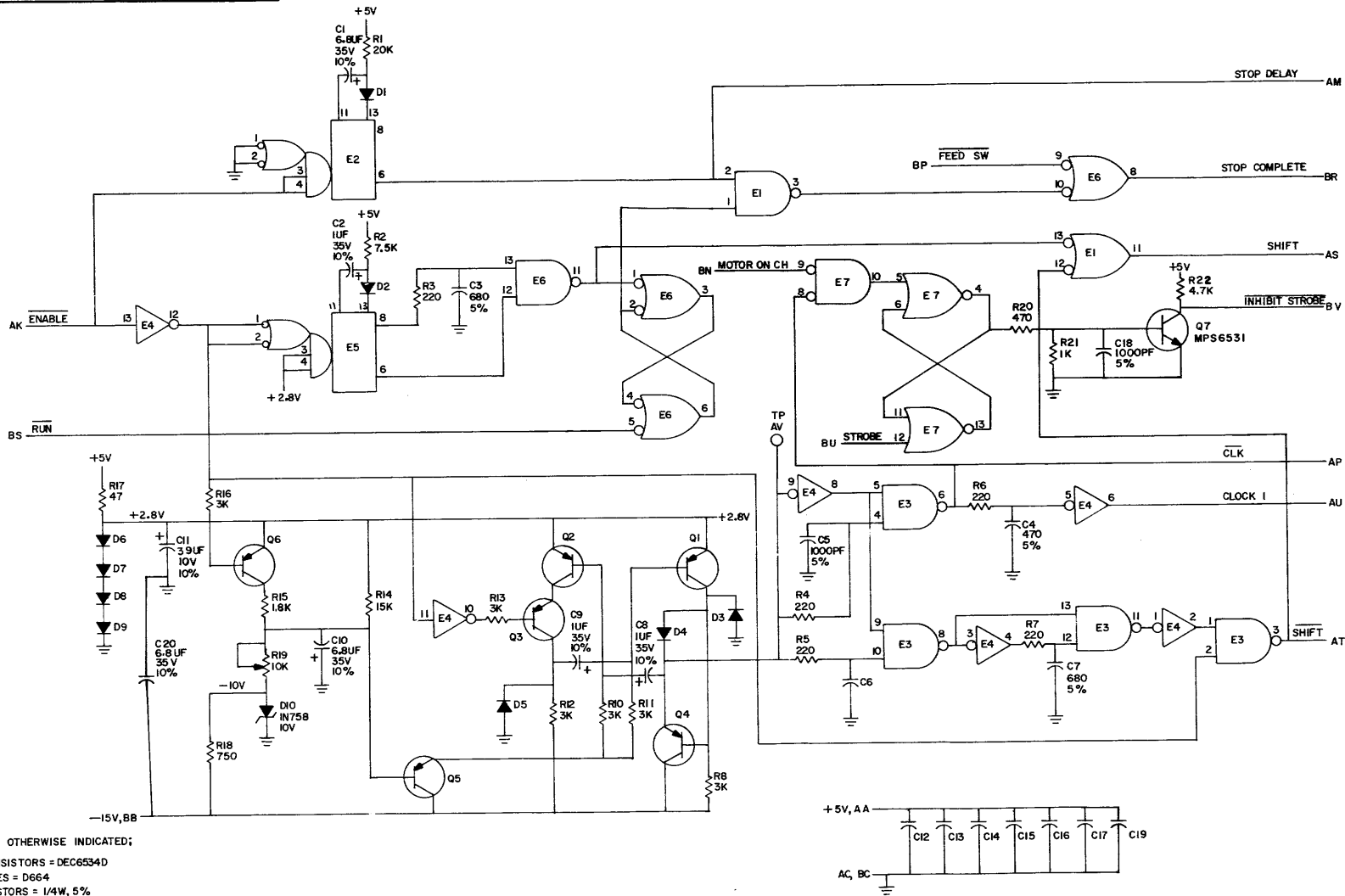
- TRANSISTORS ARE DEC36398
- CAPACITORS ARE .01MFD, 100V, 20%
- RESISTORS ARE 2.2K, 1/4W, 5%
- S1, S2, S3 ARE 1209698
- E5, E6 ARE DEC7474
- E4, E7, E11, E12 ARE DEC7400
- E3, E9, E13 ARE DEC7402
- E8, E10 ARE DEC7410
- E1, E2 ARE DEC7440
- PIN 7 ON EACH IC = GND
- PIN 14 ON EACH IC = +5V

REV	DATE	BY	CHKD
1	11/13/69	WJL	WJL
2	11/13/69	WJL	WJL
3	11/13/69	WJL	WJL
4	11/13/69	WJL	WJL
5	11/13/69	WJL	WJL

TRANSISTOR & DIODE CONVERSION CHART			
MANUFACTURER	PART NO.	DIGITAL EQUIPMENT CORPORATION	PART NO.
DEC	2N3639B	DEC	2N3639B
DEC	2N3639C	DEC	2N3639C
DEC	2N3639D	DEC	2N3639D
DEC	2N3639E	DEC	2N3639E
DEC	2N3639F	DEC	2N3639F
DEC	2N3639G	DEC	2N3639G
DEC	2N3639H	DEC	2N3639H
DEC	2N3639I	DEC	2N3639I
DEC	2N3639J	DEC	2N3639J
DEC	2N3639K	DEC	2N3639K
DEC	2N3639L	DEC	2N3639L
DEC	2N3639M	DEC	2N3639M
DEC	2N3639N	DEC	2N3639N
DEC	2N3639P	DEC	2N3639P
DEC	2N3639Q	DEC	2N3639Q
DEC	2N3639R	DEC	2N3639R
DEC	2N3639S	DEC	2N3639S
DEC	2N3639T	DEC	2N3639T
DEC	2N3639U	DEC	2N3639U
DEC	2N3639V	DEC	2N3639V
DEC	2N3639W	DEC	2N3639W
DEC	2N3639X	DEC	2N3639X
DEC	2N3639Y	DEC	2N3639Y
DEC	2N3639Z	DEC	2N3639Z

TITLE		NUMBER	
SCOPE CONTROL M711		M711-G-1	
CORPORATION		PRINTED CIRCUIT REV. C	

THIS SCHEMATIC IS FURNISHED ONLY FOR TEST AND MAINTENANCE PURPOSES. THE CIRCUITS ARE PROPRIETARY IN NATURE AND SHOULD BE TREATED ACCORDINGLY. COPYRIGHT 1967 BY DIGITAL EQUIPMENT CORPORATION



UNLESS OTHERWISE INDICATED:

- TRANSISTORS = DEC6534D
- DIODES = D664
- RESISTORS = 1/4W, 5%
- CAPACITORS = .01UF, 100V, 20%
- E1, E3, E6 = DEC7400
- E4 = DEC7404
- E2, E5 = DEC9601
- PIN 7 = GND ON ALL IC'S
- PIN 14 = +5V
- E7 = DEC7402

REV	CHG	NO	REV
1	AY	00002	E
2	00000		X
3	REV & REDR		
4	RE CANCELS		
5	ECO 00003		

DRN M. HALLER	DATE 10/16/67
CHK'D R. SILVERMAN	DATE 11/2/67
ENG. R. G. SOGGE	DATE 11/2/67
PROD.	DATE

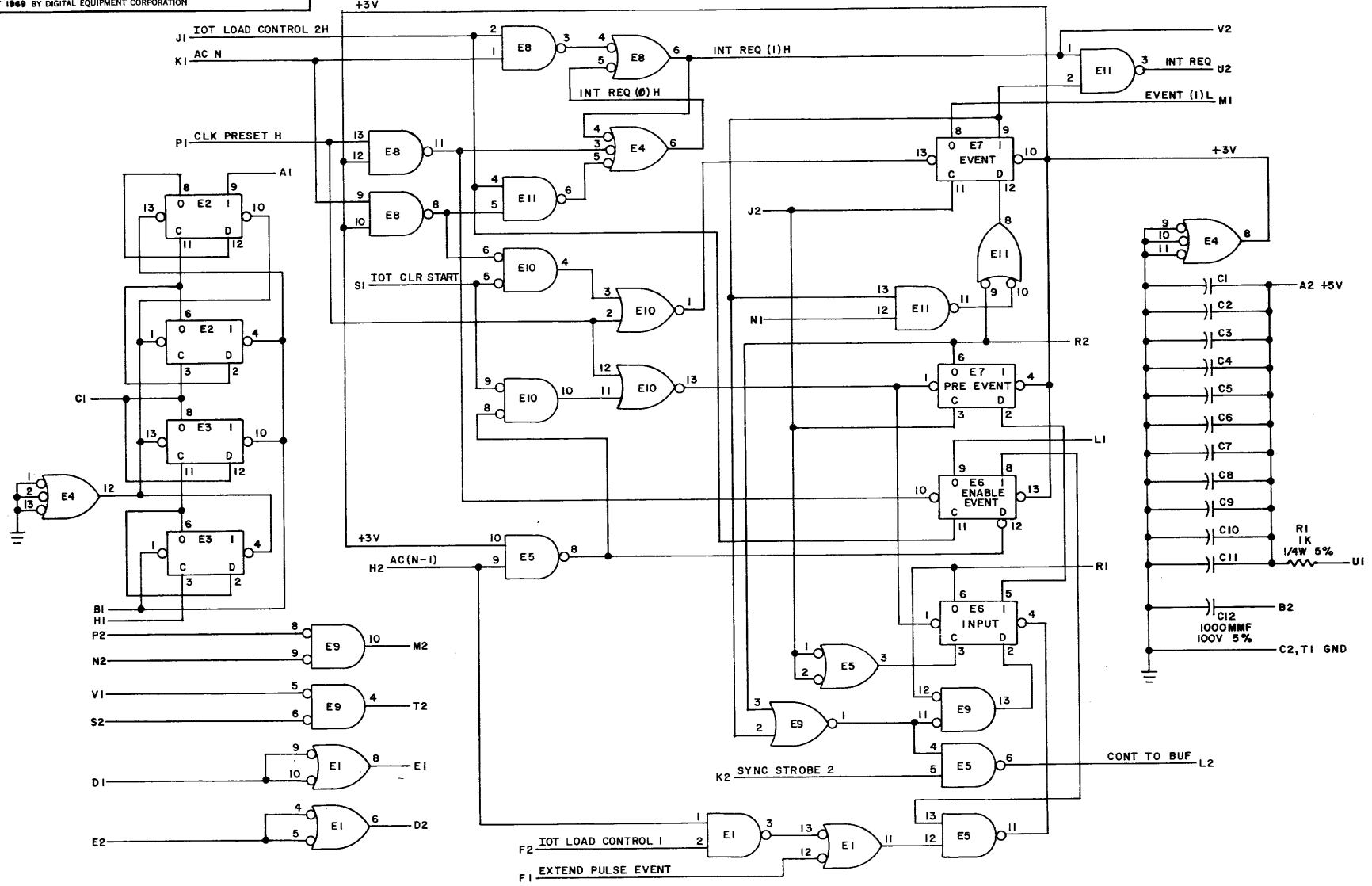
TRANSISTOR & DIODE CONVERSION CHART			
DEC	EIA	DEC	EIA
DEC6534D	MPS6534	IN758	SAME
D664	IN3606		
DEC 6531	MPS6531		

digital
EQUIPMENT CORPORATION
MAYNARD, MASSACHUSETTS

TITLE		READER CLOCK M715	
SIZE C	CODE CS	NUMBER M715-0-1	REV K
PRINTED CIRCUIT REV		E	

REV. K
NUMBER M715-0-1
SIZE CODE C CS

THIS SCHEMATIC IS FURNISHED ONLY FOR TEST AND MAINTENANCE PURPOSES. THE CIRCUITS ARE PROPRIETARY IN NATURE AND SHOULD BE TREATED ACCORDINGLY. COPYRIGHT 1969 BY DIGITAL EQUIPMENT CORPORATION



UNLESS OTHERWISE INDICATED:
 CAPACITORS ARE .01MFD
 PIN 7 ON EACH IC = GND
 PIN 14 ON EACH IC = +5V
 E1, E5, E8, E11 ARE DEC7400N
 E2, E3, E6, E7 ARE DEC7474N
 E4 IS DEC7410N
 E9, E10 ARE DEC7402N

REV.	DATE	BY

DRN	DATE
M. Waller	4-9-69
CHK'D	DATE
M. M. Monahan	4-14-69
ENG.	DATE
PROD.	DATE

TRANSISTOR & DIODE CONVERSION CHART			
DEC	EIA	DEC	EIA

digital
 EQUIPMENT CORPORATION
 MAYNARD, MASSACHUSETTS

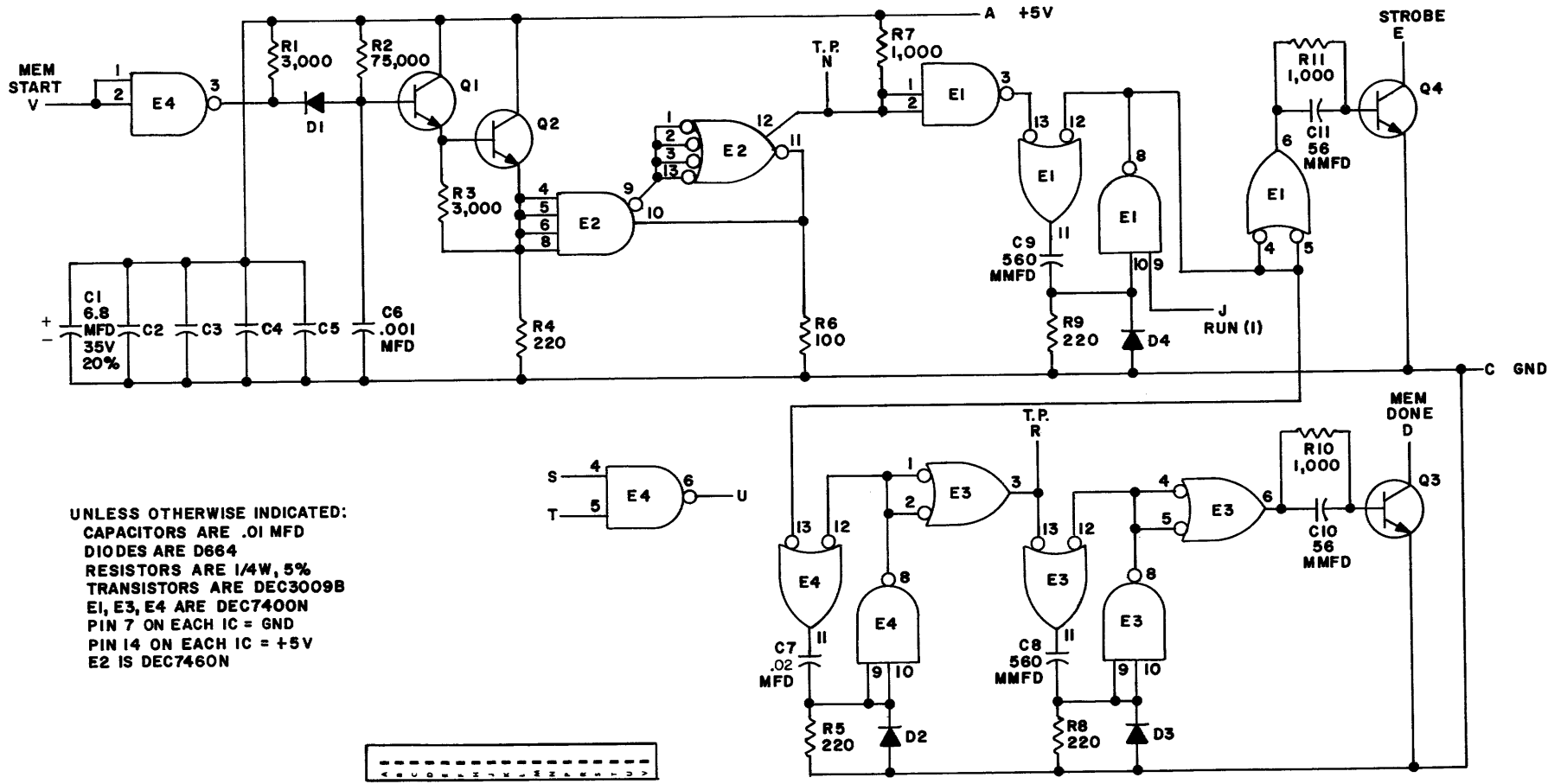
TITLE: KW12 CLOCK INPUT SYNCHRONIZER M719

SIZE	CODE	NUMBER	REV.
C	CS	M719-0-1	

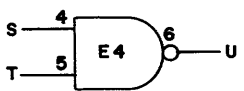
PRINTED CIRCUIT REV. A

SIZE (CROSS NUMBER) M719-0-1 REV.

THIS SCHEMATIC IS FURNISHED ONLY FOR TEST AND MAINTENANCE PURPOSES. THE CIRCUITS ARE PROPRIETARY IN NATURE AND SHOULD BE TREATED ACCORDINGLY. COPYRIGHT 1967 BY DIGITAL EQUIPMENT CORPORATION



UNLESS OTHERWISE INDICATED:
 CAPACITORS ARE .01 MFD
 DIODES ARE D664
 RESISTORS ARE 1/4W, 5%
 TRANSISTORS ARE DEC3009B
 E1, E3, E4 ARE DEC7400N
 PIN 7 ON EACH IC = GND
 PIN 14 ON EACH IC = +5V
 E2 IS DEC7460N



REVISIONS	CHK	CHG	NO.	REV.
				A
				00001

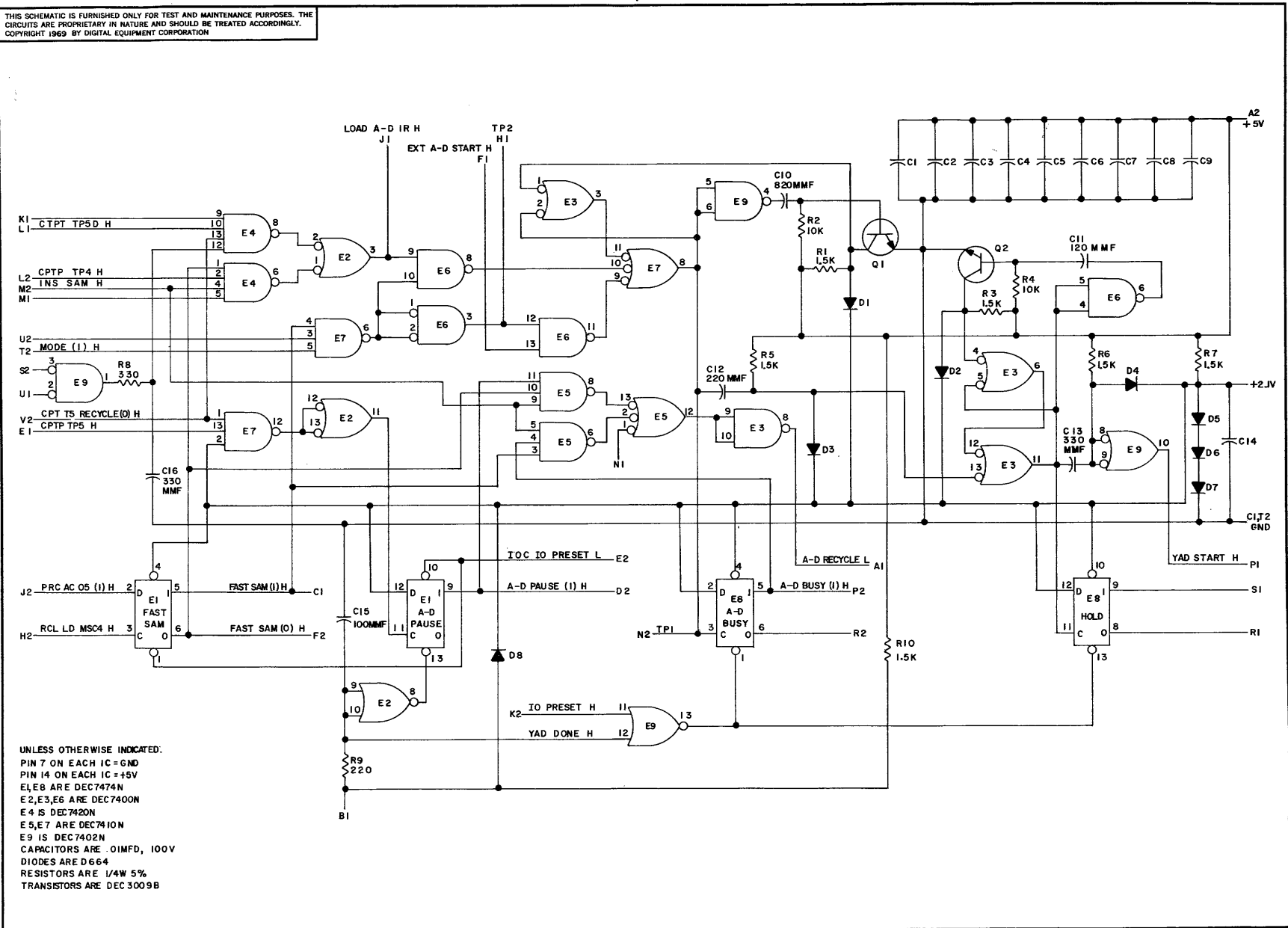
DRN.	DATE
<i>M. Walker</i>	9-28-67
CHK'D	DATE
<i>R. Johnson</i>	9/28/67
ENG.	DATE
<i>Boyle</i>	9/28/67
PROD.	DATE

TRANSISTOR & DIODE CONVERSION CHART			
DEC	EIA	DEC	EIA
DEC3009B	2N3009		
D664	1N3606		

digital
 EQUIPMENT CORPORATION
 MAYNARD, MASSACHUSETTS

TITLE			
MEMORY DETECTION M720			
SIZE	CODE	NUMBER	REV.
B	CS	M720-0-1	A
PRINTED CIRCUIT REV.			
A			

THIS SCHEMATIC IS FURNISHED ONLY FOR TEST AND MAINTENANCE PURPOSES. THE CIRCUITS ARE PROPRIETARY IN NATURE AND SHOULD BE TREATED ACCORDINGLY. COPYRIGHT 1969 BY DIGITAL EQUIPMENT CORPORATION



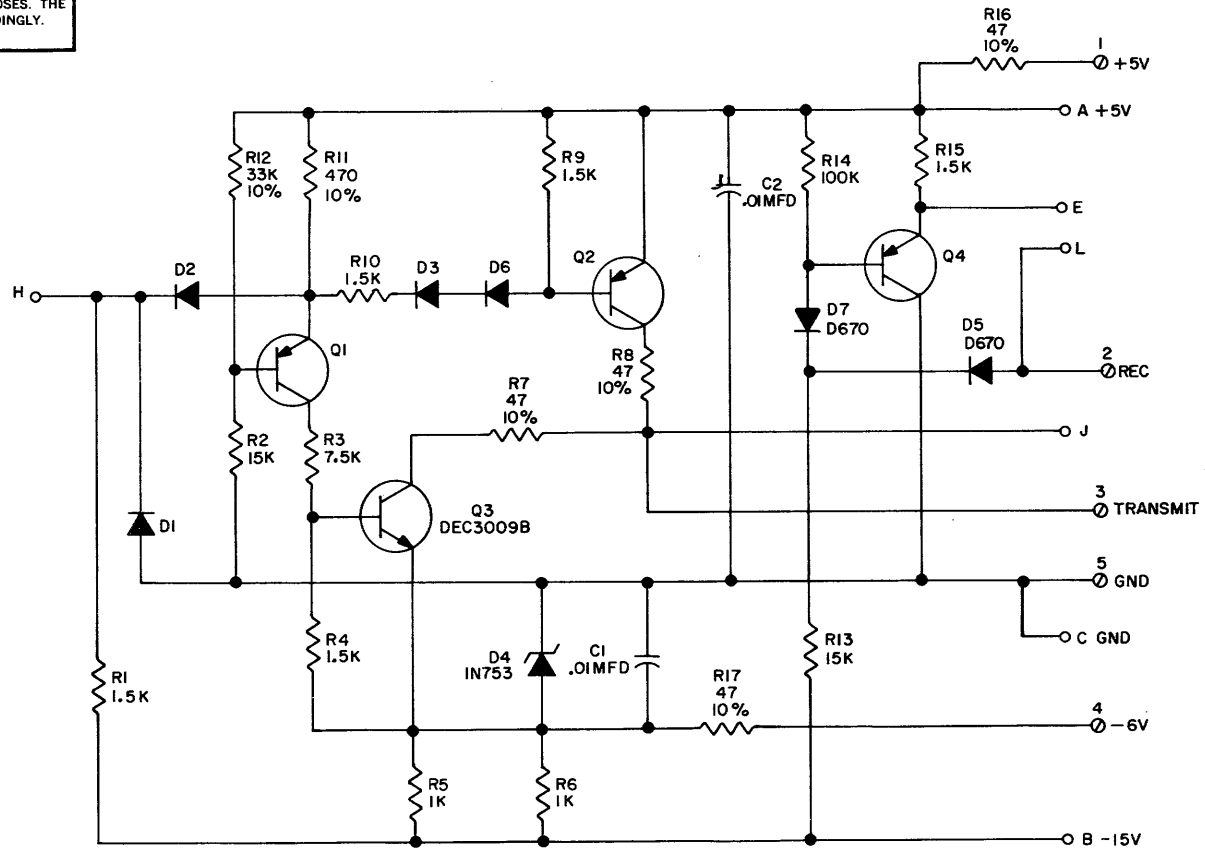
UNLESS OTHERWISE INDICATED:
 PIN 7 ON EACH IC = GND
 PIN 14 ON EACH IC = +5V
 E1, E8 ARE DEC7474N
 E2, E3, E6 ARE DEC7400N
 E4 IS DEC7420N
 E5, E7 ARE DEC7410N
 E9 IS DEC7402N
 CAPACITORS ARE .01MFD, 100V
 DIODES ARE D664
 RESISTORS ARE 1/4W 5%
 TRANSISTORS ARE DEC 3009B

REV. NUMBER
 C | CS | M760-0-1

REVISIONS CHG NO. REV.	DRN: <i>[Signature]</i> DATE: 5-19-68	TRANSISTOR & DIODE CONVERSION CHART				TITLE: A-D CONTROL M760 digital EQUIPMENT CORPORATION MAYNARD, MASSACHUSETTS SIZE: C CODE: CS NUMBER: M760-0-1 PRINTED CIRCUIT REV. A
	DHPD: <i>[Signature]</i> DATE: 2-22-68	DEC: EIA: DEC: EIA:	D664 IN 36 06		REV.	
	ENG: <i>[Signature]</i> DATE: DEC30 68	DEC30 68 2N 30 09 B	IN 36 06		NUMBER: M760-0-1	
	PROD: <i>[Signature]</i> DATE:	DATE:	2N 30 09 B		REV.	
	DATE:	DATE:	2N 30 09 B		REV.	

REV. A
 NUMBER M850-0-1
 SIZE CODE B CS

THIS SCHEMATIC IS FURNISHED ONLY FOR TEST AND MAINTENANCE PURPOSES. THE CIRCUITS ARE PROPRIETARY IN NATURE AND SHOULD BE TREATED ACCORDINGLY. COPYRIGHT 1969 BY DIGITAL EQUIPMENT CORPORATION

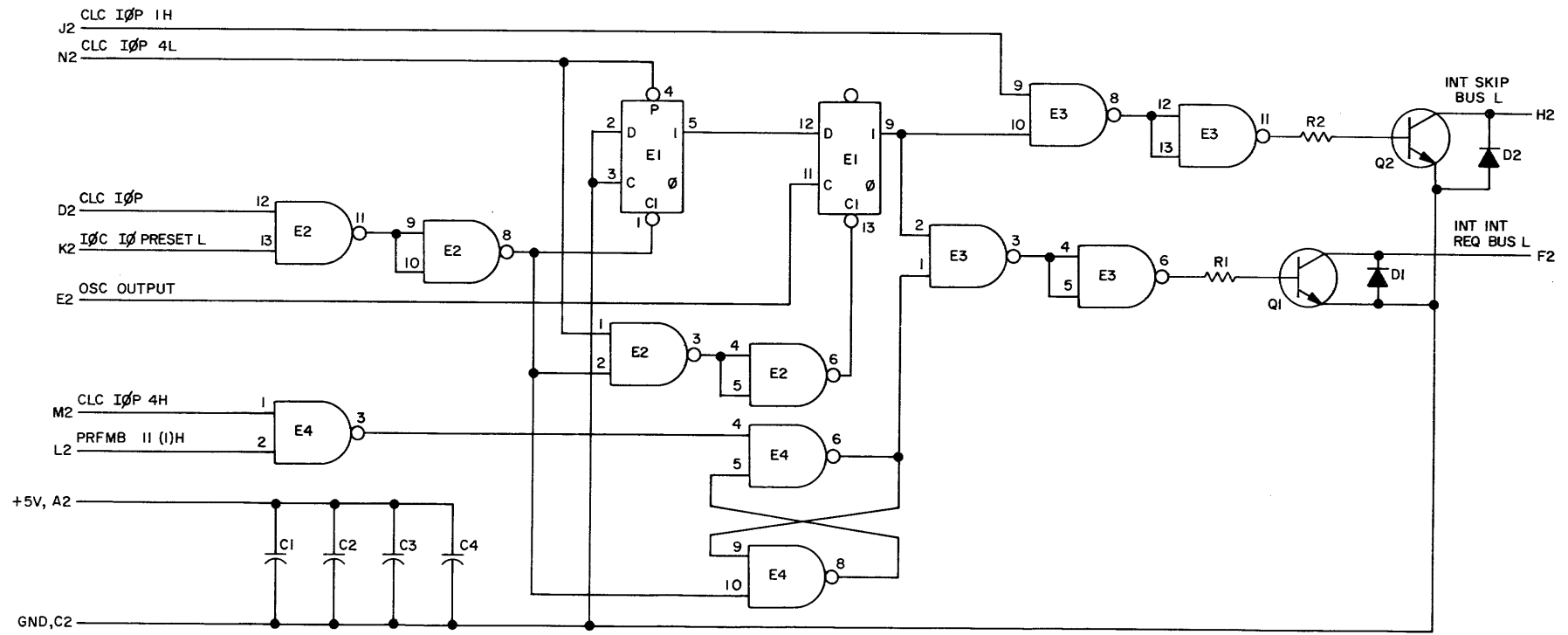


UNLESS OTHERWISE INDICATED:
 ∅ ARE SPLIT LUGS
 RESISTORS ARE 1/4W,5%
 DIODES ARE D664
 TRANSISTORS ARE DEC6534B

REVISIONS CHK CHG NO REV. 00001 A	DRN. BUTLER	DATE 6/2/69	TRANSISTOR & DIODE CONVERSION CHART				digital EQUIPMENT CORPORATION MAYNARD, MASSACHUSETTS	TITLE CONVERTER AND CABLE CONNECTOR M850			
	CHK'D M. Mansfield	DATE 6/3/69	DEC	EIA	DEC	EIA		SIZE B	CODE CS	NUMBER M850-0-1	REV. A
	ENG. J. S. F. [Signature]	DATE 6/3/69	DEC6534B	MPS6534							
	PRQD. J. S. F. [Signature]	DATE 8/1/69	DEC3009B	2N3009							
			D664	IN3606							
			D670	IN3653							

REV. NUMBER M870-0-1
 SIZE CODE B CS

THIS SCHEMATIC IS FURNISHED ONLY FOR TEST AND MAINTENANCE PURPOSES. THE CIRCUITS ARE PROPRIETARY IN NATURE AND SHOULD BE TREATED ACCORDINGLY. COPYRIGHT 1970 BY DIGITAL EQUIPMENT CORPORATION



UNLESS OTHERWISE INDICATED:
 RESISTORS ARE 390, 1/4W, 5%
 CAPACITORS ARE .01MFD, 100V, 20%
 TRANSISTORS ARE DEC3009B
 DIODES ARE D664
 E2, E3, E4 ARE DEC7400
 E1 IS DEC7474
 PIN 7 ON EACH IC = GND
 PIN 14 ON EACH IC = +5V

REVISIONS	CHK	CHG NO	REV

DRN	BUTLER	DATE	1-19-70
CHK'D	<i>[Signature]</i>	DATE	3-13-70
ENG	<i>[Signature]</i>	DATE	5/25/70
PROD	<i>[Signature]</i>	DATE	6/2/70

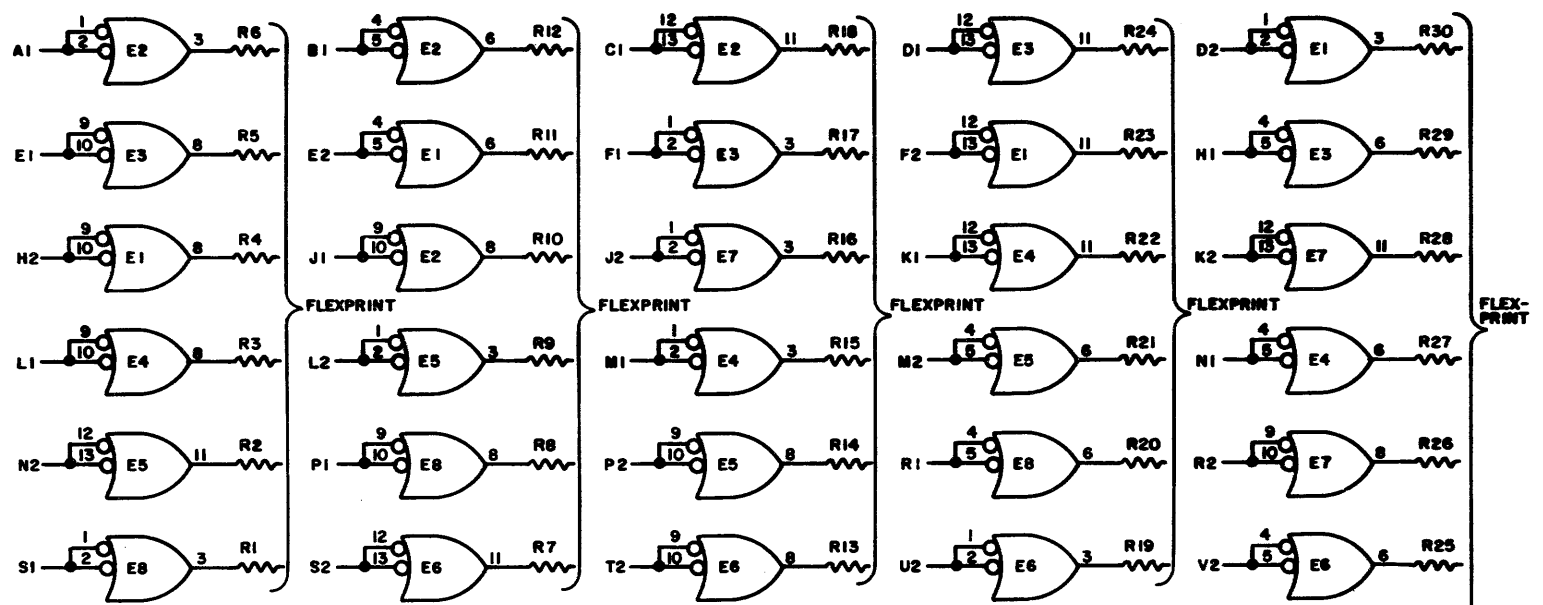
TRANSISTOR & DIODE CONVERSION CHART			
DEC	EIA	DFC	EIA
D664	1N3606		
DEC3009B-S	2N3009B		

digital		EQUIPMENT CORPORATION		MAYNARD, MASSACHUSETTS	
TITLE: SIMPLE CLOCK M870					
SIZE	CODE	NUMBER	REV		
B	CS	M870-0-1			
PRINTED CIRCUIT REV.			A		

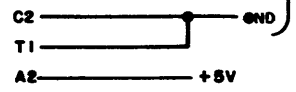
↓

9	1-0-006W SC	8
AW	UNION	2000 200

THIS SCHEMATIC IS FURNISHED ONLY FOR TEST AND MAINTENANCE PURPOSES. THE CIRCUITS ARE PROPRIETARY IN NATURE AND SHOULD BE TREATED ACCORDINGLY. COPYRIGHT 1967 BY DIGITAL EQUIPMENT CORPORATION



UNLESS OTHERWISE INDICATED:
 IC'S ARE DEC7400N
 RESISTORS ARE 470, 1/4W, 10%
 PIN 7 ON EACH IC = GND
 PIN 14 ON EACH IC = +5V



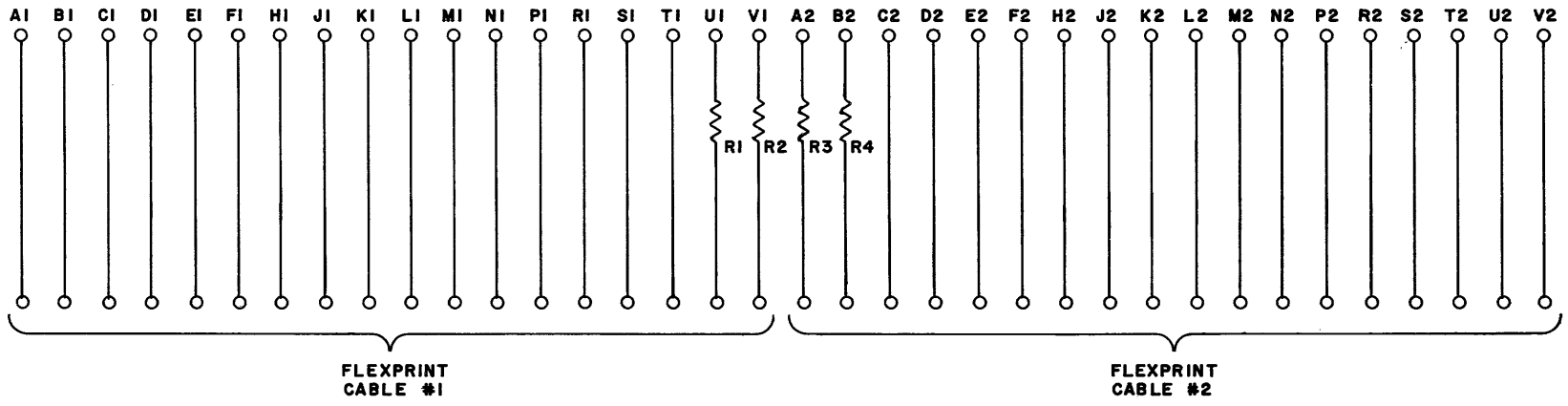
PARTS LIST IS A-PL-M900-0-0

REVISIONS CHG NO. REV. 1 4 2 1 3 1 4 1	DRN. <i>Dr. Miller</i> CUR'D <i>[Signature]</i> FRM <i>[Signature]</i> PROD. <i>[Signature]</i>	DATE 7-8-67 DATE 7/15/67 DATE 7/16/67 DATE	TRANSISTOR & DIODE CONVERSION CHART <table border="1" style="width: 100%; border-collapse: collapse;"> <tr> <th colspan="2">DEC</th> <th colspan="2">EIA</th> </tr> <tr> <td> </td><td> </td><td> </td><td> </td> </tr> <tr> <td> </td><td> </td><td> </td><td> </td> </tr> <tr> <td> </td><td> </td><td> </td><td> </td> </tr> </table>	DEC		EIA														TITLE PDP-8-1 CONSOLE CONNECTOR M900 EQUIPMENT CORPORATION MAYNARD, MASSACHUSETTS	SIZE B CODE CS NUMBER M900-0-1 REV. B PRINTED CIRCUIT REV. CD
	DEC		EIA																		
DIST. 324,434,435 3 \pm PINK																					
↑																					

↓

REV. C	NUMBER M901-0-1	SIZE B	CODE CS
--------	-----------------	--------	---------

THIS SCHEMATIC IS FURNISHED ONLY FOR TEST AND MAINTENANCE PURPOSES. THE CIRCUITS ARE PROPRIETARY IN NATURE AND SHOULD BE TREATED ACCORDINGLY. COPYRIGHT 1968 BY DIGITAL EQUIPMENT CORPORATION



R1-R4	RES. 10 1/4W 10% CC	1300170
	PARTS LIST	A-PL-M901-0-0
REFERENCE DESIGNATION	DESCRIPTION	PART NO.

REVISIONS	CHK/CHG NO.	REV.	C
	122	00001	

DRN.	DATE
<i>M. Waller</i>	8-17-68
CHK'D	DATE
<i>M. Waller</i>	8-19-68
ENG.	DATE
<i>M. Waller</i>	11/5/68
PROD.	DATE

TRANSISTOR & DIODE CONVERSION CHART			
DEC	EIA	DEC	EIA

digital
EQUIPMENT CORPORATION
MAYNARD, MASSACHUSETTS

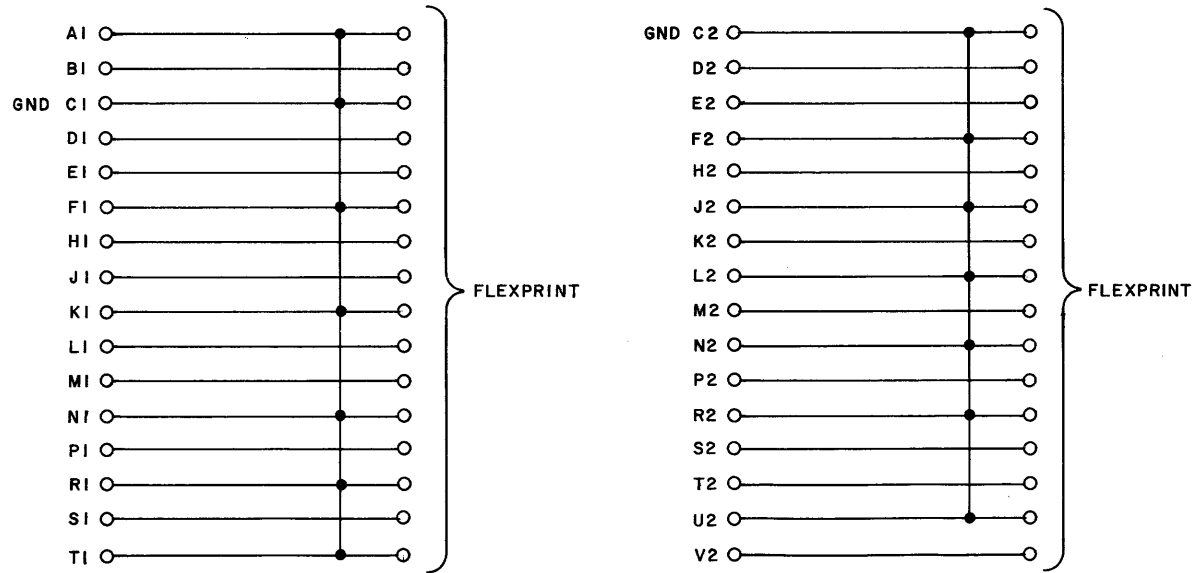
TITLE FLEXPRINT CABLE CONNECTOR M901

SIZE B	CODE CS	NUMBER M901-0-1	REV. C
--------	---------	-----------------	--------

PRINTED CIRCUIT REV. BC

REV. NUMBER B CS M903-0-1 SIZE CODE

THIS SCHEMATIC IS FURNISHED ONLY FOR TEST AND MAINTENANCE PURPOSES. THE CIRCUITS ARE PROPRIETARY IN NATURE AND SHOULD BE TREATED ACCORDINGLY. COPYRIGHT 1968 BY DIGITAL EQUIPMENT CORPORATION

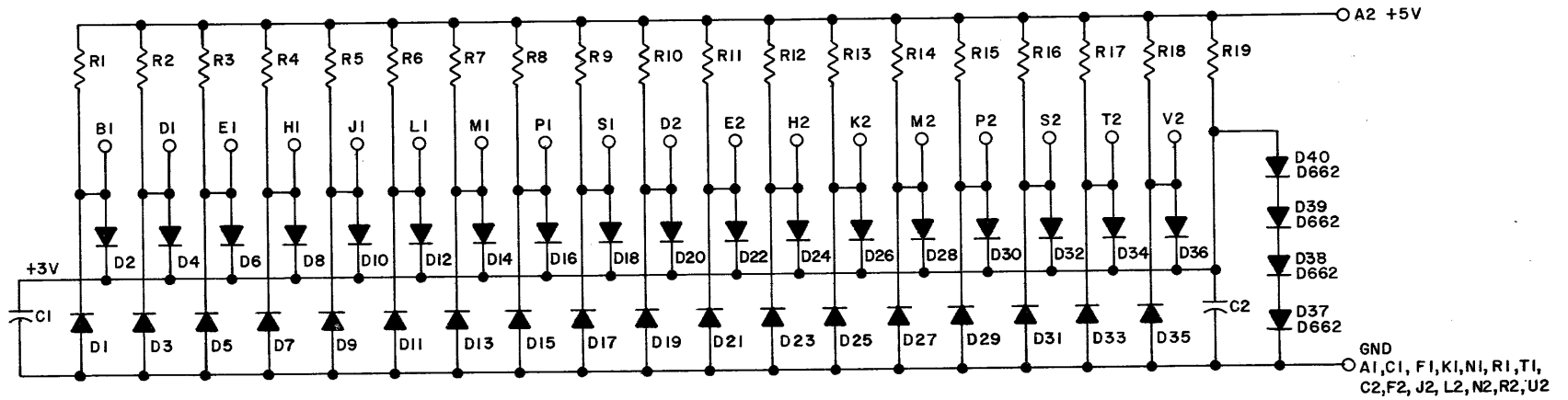


PARTS LIST IS A-PL-M903-0-0

REVISIONS CHK/CHG NO. REV.	DRN. <i>M. Waller</i>	DATE 7-2-68	TRANSISTOR & DIODE CONVERSION CHART				digital EQUIPMENT CORPORATION MAYNARD, MASSACHUSETTS	TITLE CONNECTOR (FLEXPRINT) M903			
	CHK'D <i>M. Waller</i>	DATE 7-3-68	DEC	EIA	DEC	EIA		SIZE B	CODE CS	NUMBER M903-0-1	REV.
	ENG. <i>W. J. ...</i>	DATE 7/12/68						PRINTED CIRCUIT REV. A			
	PROD.	DATE									

B	REV.	1-0-906W	CS	SIZE
B	REV.	NUMBER	CS	SIZE

THIS SCHEMATIC IS FURNISHED ONLY FOR TEST AND MAINTENANCE PURPOSES. THE CIRCUITS ARE PROPRIETARY IN NATURE AND SHOULD BE TREATED ACCORDINGLY. COPYRIGHT 1968 BY DIGITAL EQUIPMENT CORPORATION



UNLESS OTHERWISE INDICATED:
 RESISTORS ARE 220, 1/4W, 5%
 DIODES ARE D664
 CAPACITORS ARE .01 MFD, 100V, 20%

REVISIONS	CHK'G NO. REV.
REV. B	00001 B

DRN. M. HALLER	DATE 8-2-68
CHK'D W. MULLEN	DATE 8-2-68
ENG. D.A. WHITE	DATE 10-16-68
PROD.	DATE

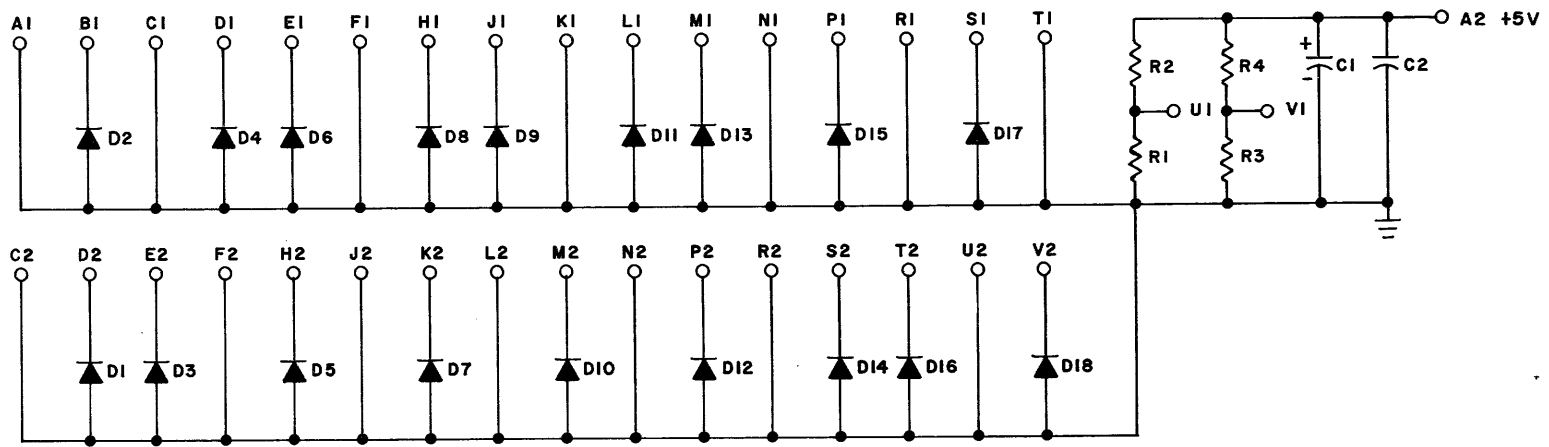
TRANSISTOR & DIODE CONVERSION CHART			
DEC	EIA	DEC	EIA
D662	1N645		
D664	1N3606		

digital
 EQUIPMENT CORPORATION
 MAYNARD, MASSACHUSETTS

TITLE			
CABLE TERMINATOR M906			
SIZE B	CODE CS	NUMBER M906-0-1	REV. B
PRINTED CIRCUIT REV.			A B

REV. NUMBER M907-0-1 B CS

THIS SCHEMATIC IS FURNISHED ONLY FOR TEST AND MAINTENANCE PURPOSES. THE CIRCUITS ARE PROPRIETARY IN NATURE AND SHOULD BE TREATED ACCORDINGLY. COPYRIGHT 1968 BY DIGITAL EQUIPMENT CORPORATION



D1-D18	DIODE D664	1100114
R2, R4	RES. 330 1/4W 5% CC	1300295
R1, R3	RES. 750 1/4W 5% CC	1301401
C1	CAP. 6.8MFD 35V 20% STANT	1000067
C2	CAP. .01MFD 100V 20% DISC	1001610
	PARTS LIST	A-PL-M907-0-0
REFERENCE DESIGNATION	DESCRIPTION	PART NO.
PARTS LIST		

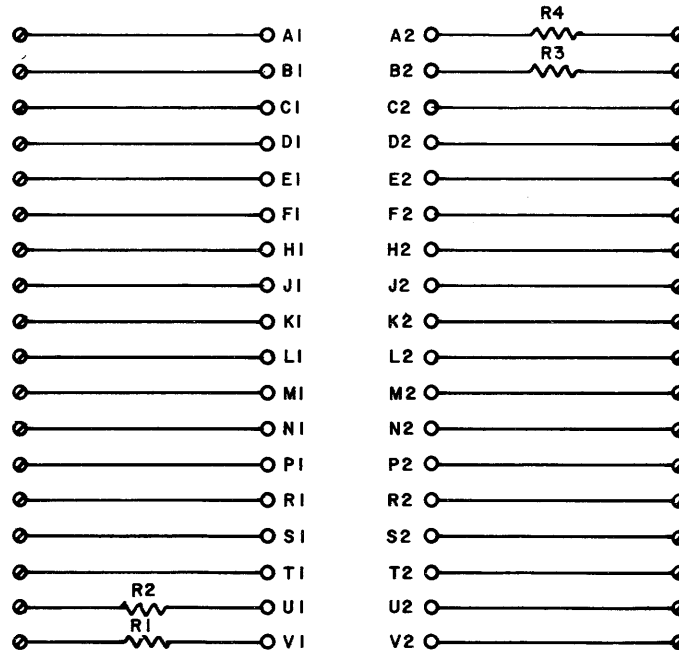
REVISIONS CHK/CHG NO. REV.	DRN. <i>m. Valler</i>	DATE 8-9-68
	CHK'D <i>M. J. Sullivan</i>	DATE 8-9-68
	ENG. <i>F. J. Sullivan</i>	DATE 9/11/68
	PROD.	DATE

TRANSISTOR & DIODE CONVERSION CHART			
DEC		EIA	
D664		IN3606	

digital EQUIPMENT CORPORATION MAYNARD, MASSACHUSETTS	TITLE DIODE CLAMP M907		
	SIZE B	CODE CS	NUMBER M907-0-1
PRINTED CIRCUIT REV.			REV.
A			

REV. NUMBER B CS M908-0-1 SIZE CODE

THIS SCHEMATIC IS FURNISHED ONLY FOR TEST AND MAINTENANCE PURPOSES. THE CIRCUITS ARE PROPRIETARY IN NATURE AND SHOULD BE TREATED ACCORDINGLY. COPYRIGHT 1968 BY DIGITAL EQUIPMENT CORPORATION



Ø SPLIT LUG

R1 - R4	RES. 10 1/4 W 10% CC	1300170
	PARTS LIST	A-PL-M908-0-0
REFERENCE DESIGNATION	DESCRIPTION	PART NO.
PARTS LIST		

REVISIONS CHK/CHG NO./REV.	DRN. <i>M. Keller</i>	DATE 9-27-68	TRANSISTOR & DIODE CONVERSION CHART				digital	TITLE CONNECTOR MODULE M908			
	CHK'D <i>M. Keller</i>	DATE 9-27-68						DEC	EIA	DEC	EIA
	ENG. <i>M. Keller</i>	DATE 11/5/68						B	CS	M908-0-1	
	PROD.	DATE						PRINTED CIRCUIT REV. B			

PINK

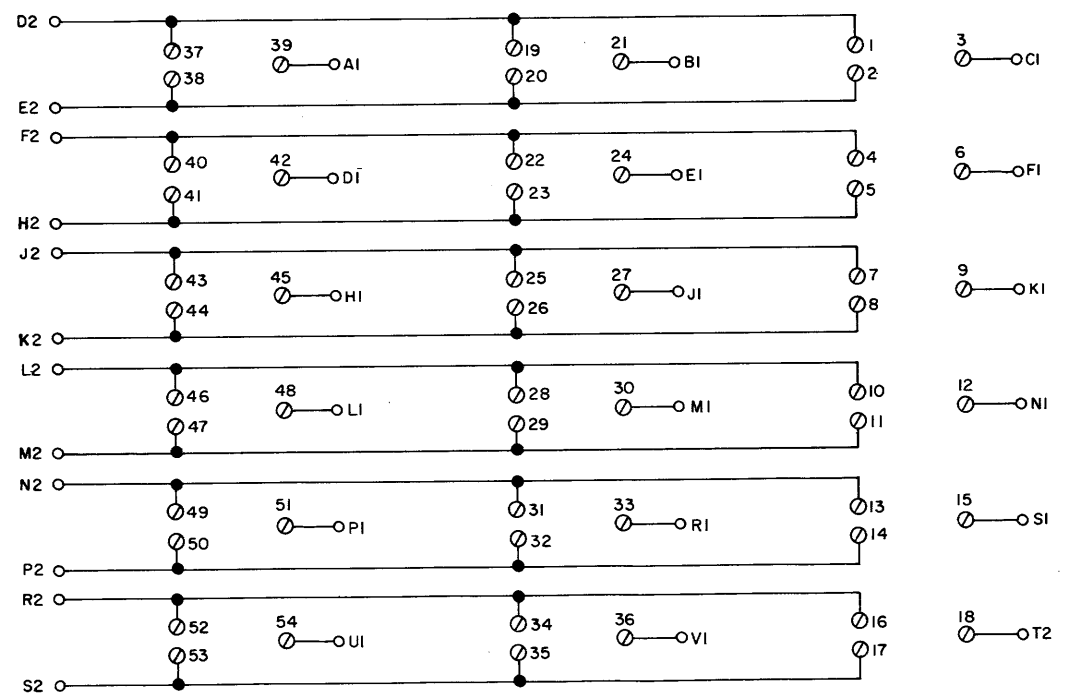
DIST. 324 434 435²

THIS SCHEMATIC IS FURNISHED ONLY FOR TEST AND MAINTENANCE PURPOSES. THE CIRCUITS ARE PROPRIETARY IN NATURE AND SHOULD BE TREATED ACCORDINGLY. COPYRIGHT 1969 BY DIGITAL EQUIPMENT CORPORATION

PIN SIGNAL ASSIGNMENTS

OUT			
DEVICE A	DEVICE B	DEVICE C	SIGNAL
AI	BI	CI	MB3
DI	EI	FI	MB4
HI	JI	KI	MB5
LI	MI	NI	MB6
PI	RI	SI	MB7
UI	VI	T2	MB8

IN	
D2	MB3(O)
E2	MB3(I)
F2	MB4(O)
H2	MB4(I)
J2	MB5(O)
K2	MB5(I)
L2	MB6(O)
M2	MB6(I)
N2	MB7(O)
P2	MB7(I)
R2	MB8(O)
S2	MB8(I)

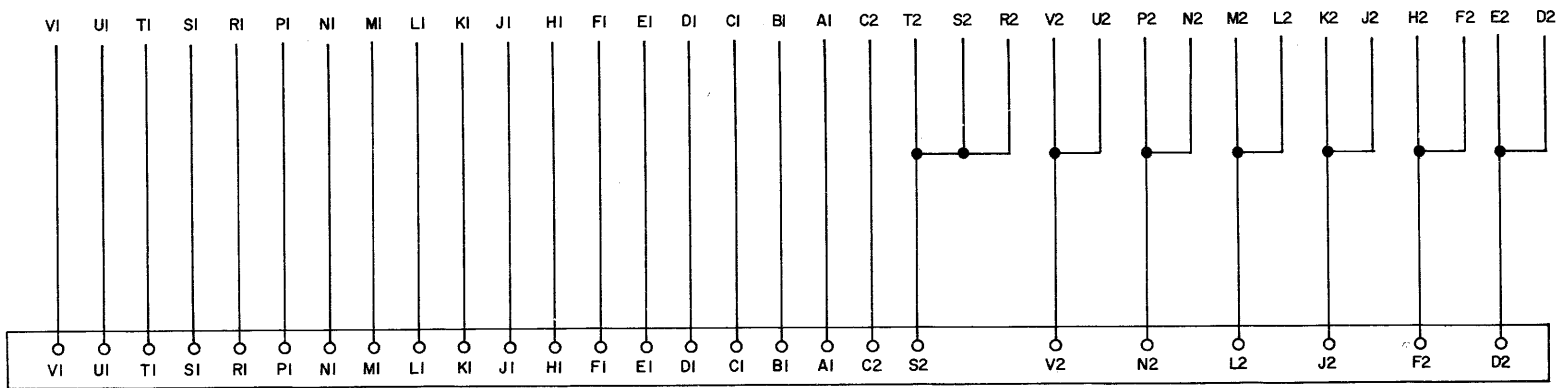


UNLESS OTHERWISE INDICATED:
 ⓪ ARE SPLIT LUGS

REVISIONS CHK (CHG NO. REV.)	DRN <i>BUTLER</i>	DATE <i>1/16/69</i>	TRANSISTOR & DIODE CONVERSION CHART				digital EQUIPMENT CORPORATION MAYNARD, MASSACHUSETTS	TITLE DEVICE CODE SELECT JUMPER BOARD			
	CHK'D <i>C. P. Nalotte</i>	DATE <i>3/19/69</i>	DEC	EIA	DEC	EIA		SIZE B	CODE CS	NUMBER M921-0-1	REV.
	ENG <i>Dearden</i>	DATE <i>9/29/69</i>						PRINTED CIRCUIT REV. B			
	PROD.	DATE									

REV. NUMBER M941-0-1 B CS SIZE

THIS SCHEMATIC IS FURNISHED ONLY FOR TEST AND MAINTENANCE PURPOSES. THE CIRCUITS ARE PROPRIETARY IN NATURE AND SHOULD BE TREATED ACCORDINGLY. COPYRIGHT 1970 BY DIGITAL EQUIPMENT CORPORATION



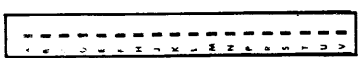
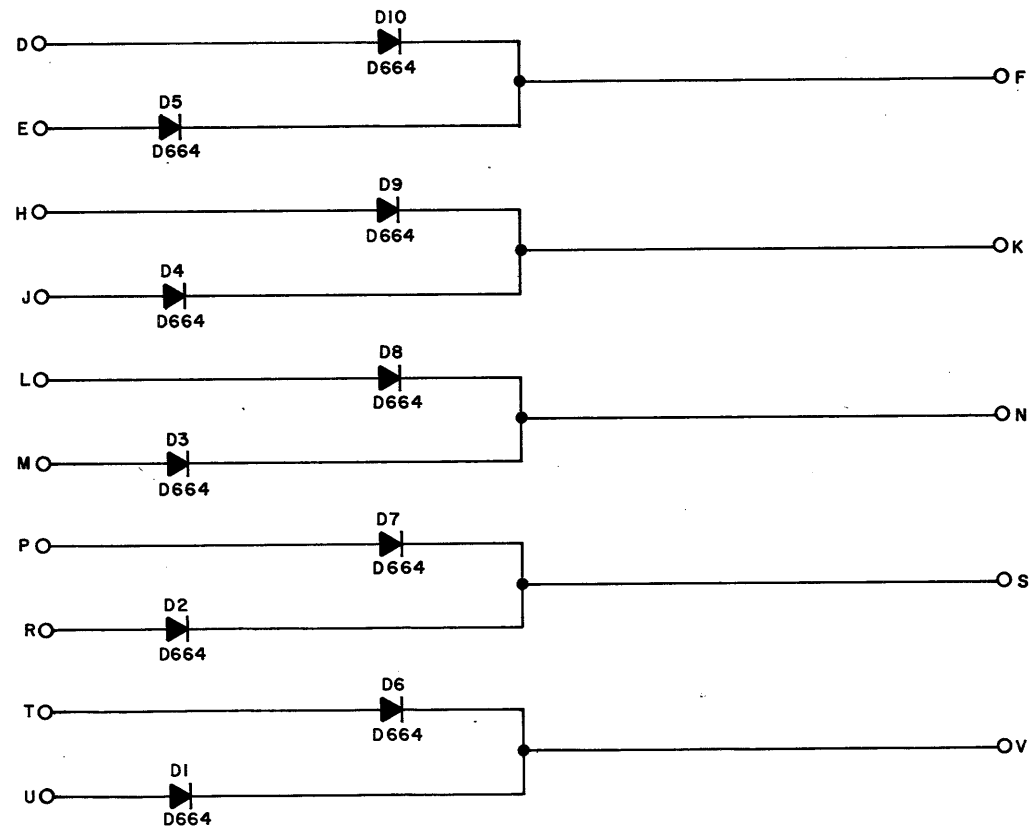
CONNECTOR 7900-0155-0

REVISIONS CHK CHG NO. REV	DRN NANCY MOORE	DATE 4/19/70	TRANSISTOR & DIODE CONVERSION CHART				digital EQUIPMENT CORPORATION MAYNARD, MASSACHUSETTS	TITLE JUMPER/EXTENDER BOARD M941			
	CHK'D <i>[Signature]</i>	DATE 4/14/70	DEC	EIA	DEC	EIA		SIZE B	CODE CS	NUMBER M941-0-1	REV.
	ENG E. Luthy	DATE 5/6/70						PRINTED CIRCUIT REV.	A		
	PROB. P. Sullivan	DATE 5/27/70									

5 PINK

THIS SCHEMATIC IS FURNISHED ONLY FOR TEST AND MAINTENANCE PURPOSES. THE CIRCUITS ARE PROPRIETARY IN NATURE AND SHOULD BE TREATED ACCORDINGLY. COPYRIGHT 1964 BY DIGITAL EQUIPMENT CORPORATION

REV.	A	NUMBER	R002-0-1	CS	B	SIZE
------	---	--------	----------	----	---	------

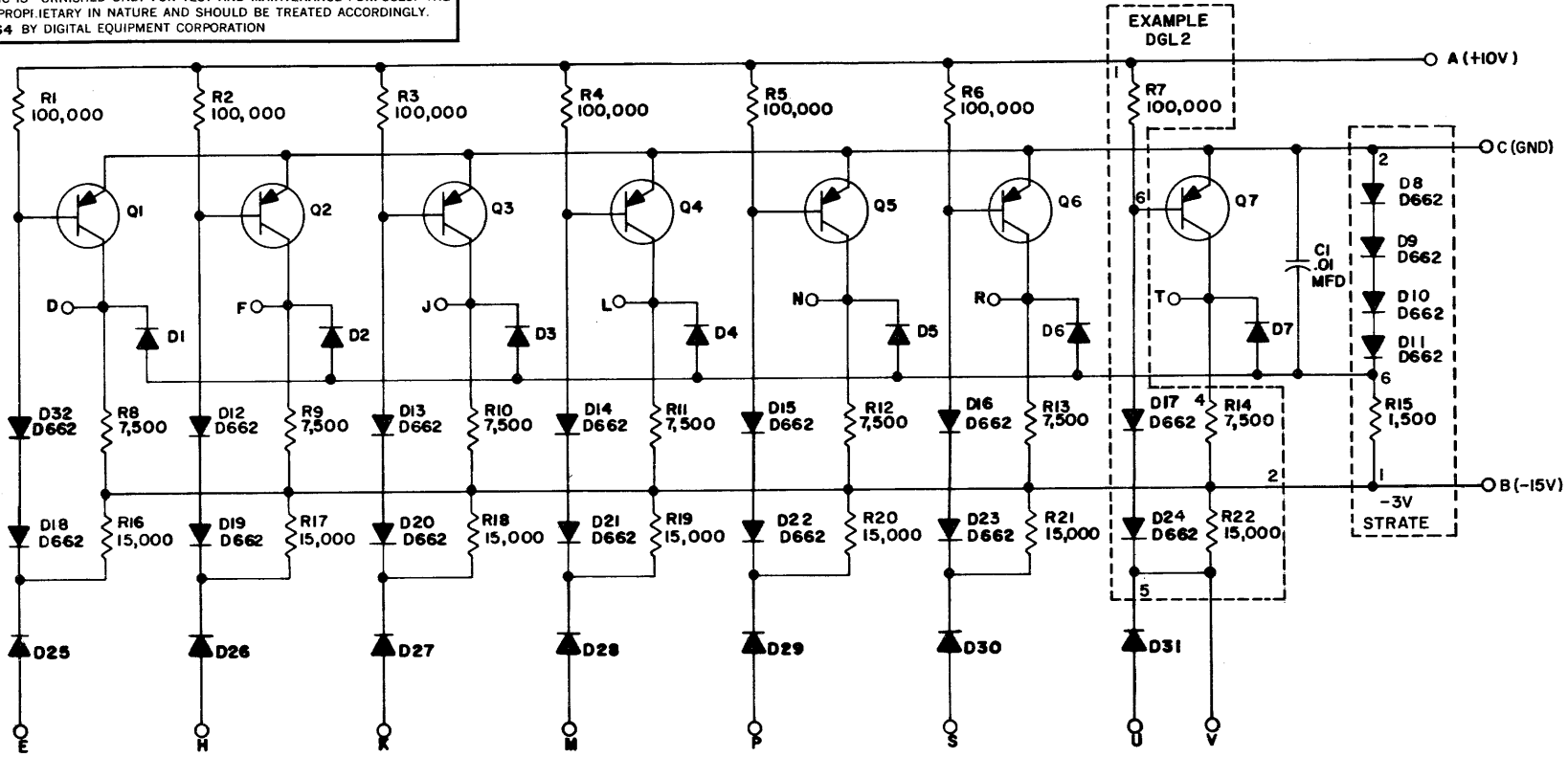


REVISIONS	CHK/CHG NO.	REV.	A	DRN.	H. PORTER	DATE	5-21-64	TRANSISTOR & DIODE CONVERSION CHART				TITLE	DIODE CLUSTER R002		
	REDR.	5537			CHK'D	N. PERRYMAN	DATE	5-25-64	DEC	EIA	DEC		EIA	SIZE	CODE
				ENG.	R. BANK	DATE	5-25-64	D664	IN3606			B	CS	R002-0-1	A
				PROD.		DATE						PRINTED CIRCUIT REV. B			

↓

H	REV.	NUMBER	CS	B	SIZE
		RI07-0-1			

THIS SCHEMATIC IS FURNISHED ONLY FOR TEST AND MAINTENANCE PURPOSES. THE CIRCUITS ARE PROPRIETARY IN NATURE AND SHOULD BE TREATED ACCORDINGLY. COPYRIGHT 1964 BY DIGITAL EQUIPMENT CORPORATION



EXAMPLE
DGL 2

UNLESS OTHERWISE INDICATED;
RESISTORS ARE 1/4W, 5%
DIODES ARE D-664
TRANSISTORS ARE DEC 3639B
PRINTED CIRCUIT REV. FOR
DGL BOARD IS SIA

A B C D E F G H I J K L M N O P Q R S T U V

REVISONS	CHK	CHG NO.	REV
DAW	4863	1	
REV. (B REDR.)	RMS	5377	D
ENG.	D	WHITE	
PROD.			

DRN.	DATE
A OUELLETTE	9-1-64
CHK'D	DATE
N PERRYMAN	9-10-64
ENG.	DATE
D WHITE	9-10-64
PROD.	DATE

DEC	EIA
DEC 3639B	2N3639
D662	IN645
D664	IN3606

TRANSISTOR & DIODE CONVERSION CHART			
DEC	EIA	DEC	EIA
DEC 3639B	2N3639		
D662	IN645		
D664	IN3606		

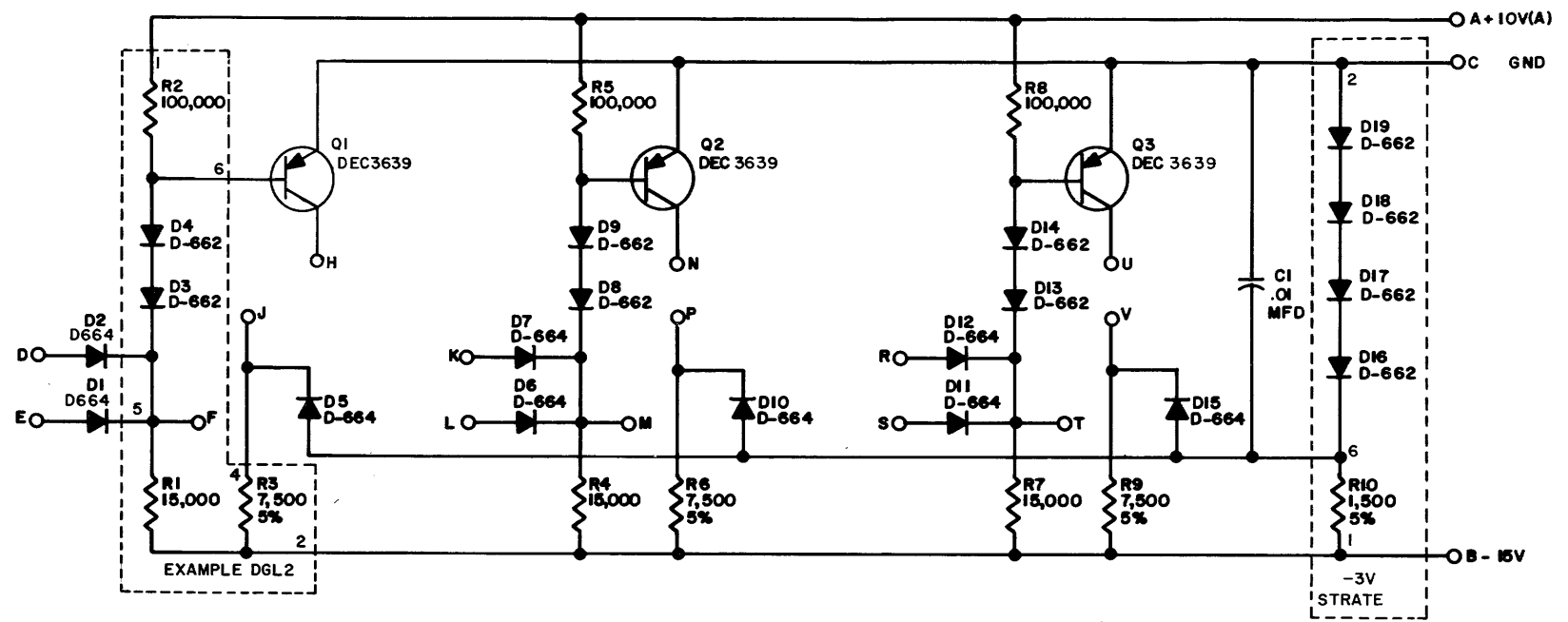
digital
EQUIPMENT CORPORATION
MAYNARD, MASSACHUSETTS

TITLE			
INVERTER RI07			
SIZE	CODE	NUMBER	REV.
B	CS	RI07-0-1	H
PRINTED CIRCUIT REV.			
C D			



REV. F
 NUMBER RIII-0-1
 SIZE CODE B CS
 REV. F

THIS SCHEMATIC IS FURNISHED ONLY FOR TEST AND MAINTENANCE PURPOSES. THE CIRCUITS ARE PROPRIETARY IN NATURE AND SHOULD BE TREATED ACCORDINGLY. COPYRIGHT 1964 BY DIGITAL EQUIPMENT CORPORATION



UNLESS OTHERWISE INDICATED:
 RESISTORS ARE 1/4W; 5%
 PRINTED CIRCUIT REV. FOR
 DGL BOARD IS SIB

 UNCLASSIFIED

REVISIONS	CHK	CHG	NO	REV.
1	DAW	4756		
2	REVISED			
3	REVISED			
4	REVISED			
5	REVISED			
6	REVISED			

DRN.	DATE
H PORTER	5-15-64
CHK'D	DATE
N. PERRYMAN	5-25-64
ENG.	DATE
R. BANK	5-25-64
PROD.	DATE

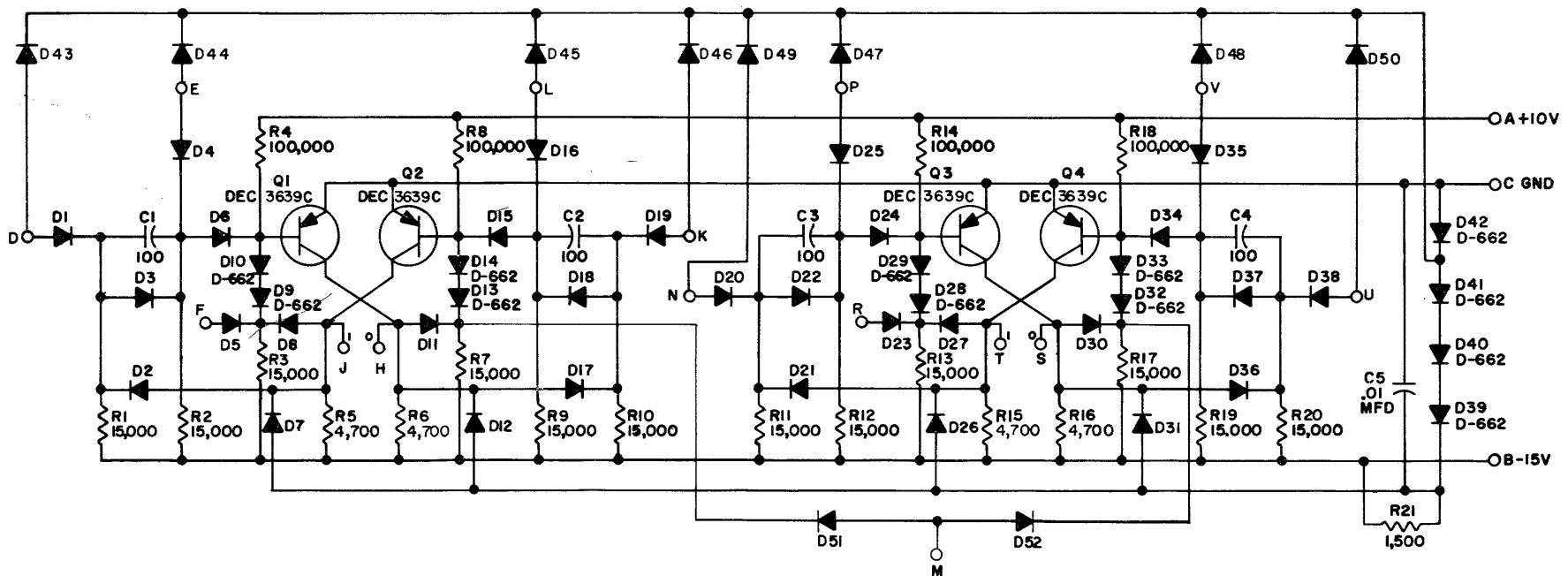
TRANSISTOR & DIODE CONVERSION CHART			
DEC		EIA	
DEC3639		2N3639	
D662		1N645	
D664		1N3606	

digital
 EQUIPMENT CORPORATION
 MAYNARD, MASSACHUSETTS

TITLE			
DIODE GATE RIII			
SIZE	CODE	NUMBER	REV.
B	CS	RIII-0-1	F
PRINTED CIRCUIT REV.			
	D	E	F

REV. F NUMBER R202-0-1 SIZE B CODE CS

THIS SCHEMATIC IS FURNISHED ONLY FOR TEST AND MAINTENANCE PURPOSES. THE CIRCUITS ARE PROPRIETARY IN NATURE AND SHOULD BE TREATED ACCORDINGLY. COPYRIGHT 1964 BY DIGITAL EQUIPMENT CORPORATION



UNLESS OTHERWISE INDICATED:
RESISTORS ARE 1/4 W, 5%
CAPACITORS ARE MMFD
DIODES ARE D-664

CAUTION: ELECTRICAL SHOCK HAZARD

REVISIONS	CHK	CHG	NO	REV
			4	
	RMS	6330		
	REV	REDR		
		6549		F

DRN.	A.QUELLETTE	DATE	6-16-64
CHK'D	N.PERRYMAN	DATE	6-16-64
ENG.	R.BANK	DATE	6-22-64
PROD.		DATE	

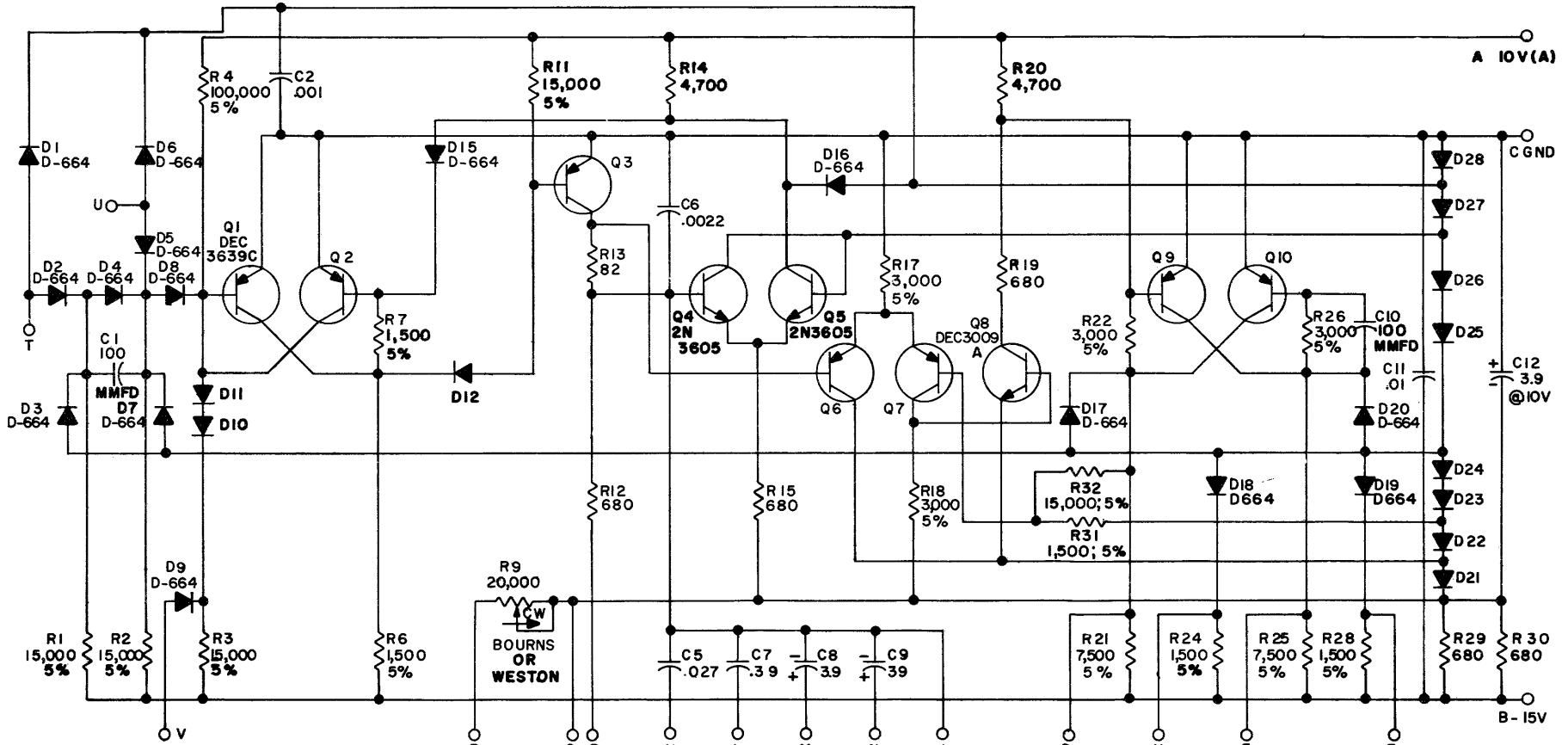
TRANSISTOR & DIODE CONVERSION CHART			
DEC	EIA	DEC	FIA
DEC3639C	2N3639		
D662	1N645		
D664	1N3606		

digital
EQUIPMENT CORPORATION
MAYNARD, MASSACHUSETTS

TITLE				DUAL FLIP FLOP			
				R202			
SIZE	CODE	NUMBER	REV.				
B	CS	R202-0-1	F				
PRINTED CIRCUIT REV.							DE

REV. K
 NUMBER R303-0-1
 SIZE CODE B CS
 B

THIS SCHEMATIC IS FURNISHED ONLY FOR TEST AND MAINTENANCE PURPOSES. THE CIRCUITS ARE PROPRIETARY IN NATURE AND SHOULD BE TREATED ACCORDINGLY. COPYRIGHT 1965 BY DIGITAL EQUIPMENT CORPORATION



UNLESS OTHERWISE INDICATED: CAPS. ARE MFD
 RESISTORS ARE 1/4W, 10% R9 IS A 275P
 DIODES ARE D-662,
 TRANSISTORS ARE DEC 3639B PARTS LIST A-PL-R303-0-0

REV.	CHG. NO.	REV.
1	5021	2
2	5526	0
3	6036	0
4	6173	0
5	6500	0
6	6669	0
7	6787	0
8	6897	0

DRN. L. HAHN	DATE 4-5-65
CHK'D R. SILVERMAN	DATE 4-16-65
ENG. R. DOANE	DATE 4-16-65
PROD.	DATE

TRANSISTOR & DIODE CONVERSION CHART			
DEC	EIA	DEC	EIA
DEC3639B	2N3639	DEC3639C	2N3639
DEC3009	2N3009		
2N3605	2N3605		
D662	1N645		
D664	1N3606		

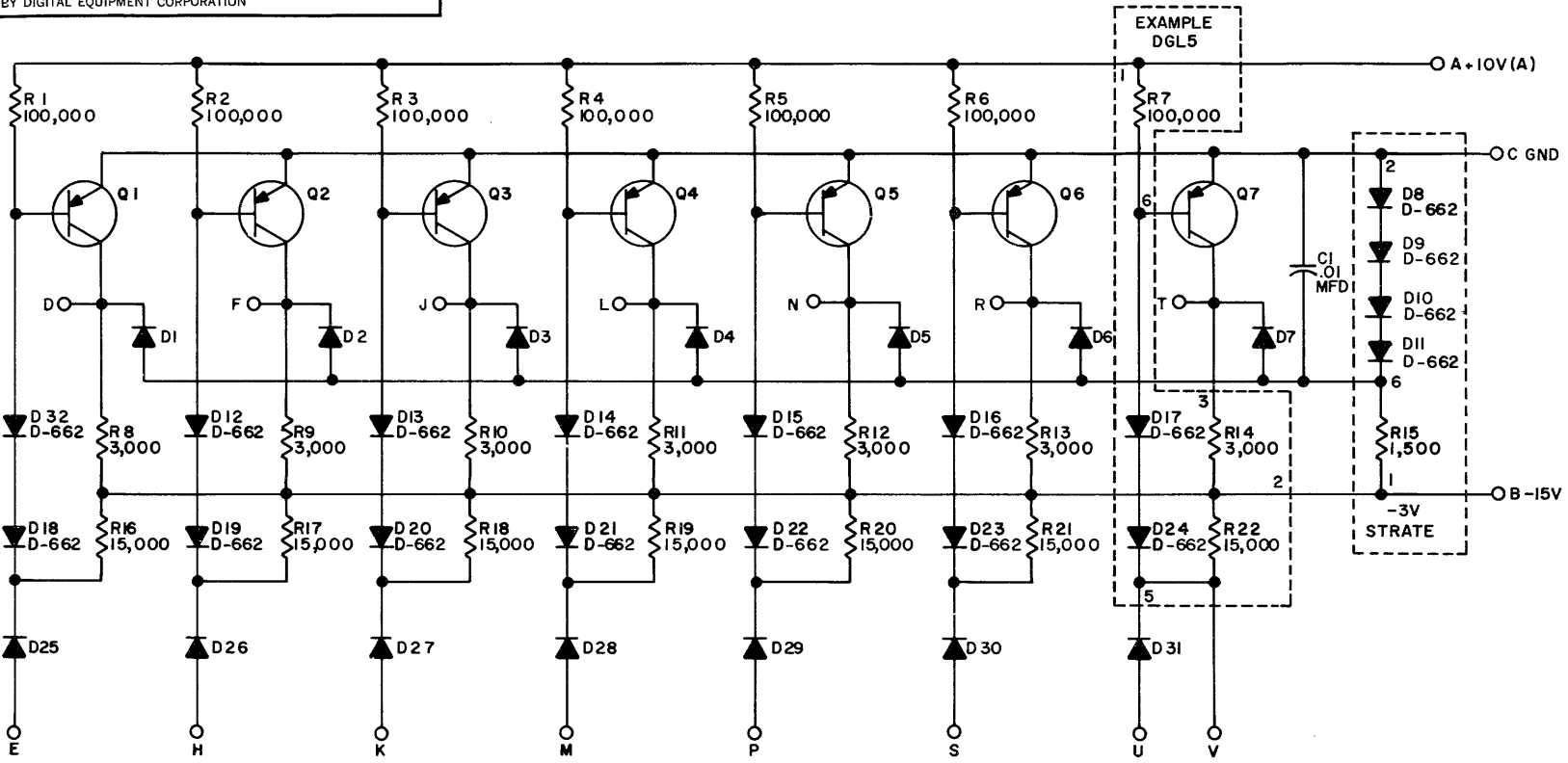
digital
 EQUIPMENT CORPORATION
 MAYNARD, MASSACHUSETTS

TITLE INTEGRATING ONE-SHOT R303			
SIZE B	CODE CS	NUMBER R303-0-1	REV. K
PRINTED CIRCUIT REV.			D

PINK DIST 324 434 435

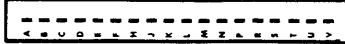
REV	D	NUMBER	SI07-0-1	CS	B	SIZE
-----	---	--------	----------	----	---	------

THIS SCHEMATIC IS FURNISHED ONLY FOR TEST AND MAINTENANCE PURPOSES. THE CIRCUITS ARE PROPRIETARY IN NATURE AND SHOULD BE TREATED ACCORDINGLY. COPYRIGHT 1965 BY DIGITAL EQUIPMENT CORPORATION



UNLESS OTHERWISE INDICATED:
 RESISTORS ARE 1/4W;5%
 DIODES ARE D-664
 TRANSISTORS ARE DEC 3639B
 PRINTED CIRCUIT REV. FOR
 DGL BOARD IS SIA

USE THE ETCH BOARD OF THE R107

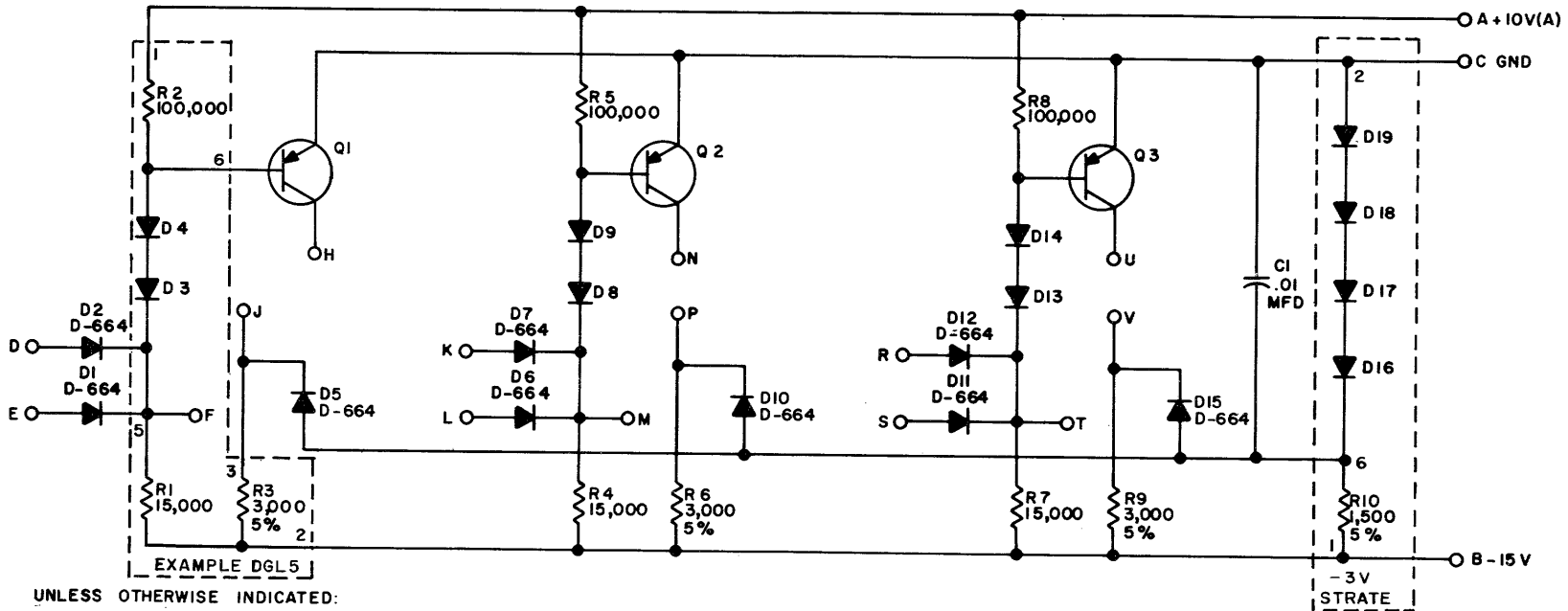


PARTS LIST A-PL-SI07-0-0

REVISIONS CHK/CHG NO/REV REV/8/REDR.	B	C	D	DRN I HAHN	DATE 6-11-65	TRANSISTOR & DIODE CONVERSION CHART				digital EQUIPMENT CORPORATION MAYNARD, MASSACHUSETTS	TITLE INVERTER SI07			
	5384	5458	6857	CHK'D R SILVERMAN	DATE 6-18-65	DEC	EIA	DEC	EIA		SIZE B	CODE CS	NUMBER SI07-0-1	REV D
				ENG. R SOGGE	DATE 6-18-65	D662	IN645							
				PROD.	DATE	D664	IN3606							

REV. D
 NUMBER III-0-1
 SIZE CODE B CS

THIS SCHEMATIC IS FURNISHED ONLY FOR TEST AND MAINTENANCE PURPOSES. THE CIRCUITS ARE PROPRIETARY IN NATURE AND SHOULD BE TREATED ACCORDINGLY. COPYRIGHT 1965 BY DIGITAL EQUIPMENT CORPORATION



UNLESS OTHERWISE INDICATED:
 TRANSISTORS ARE DEC 3639
 RESISTORS ARE 1/4W;10%
 DIODES ARE D-662
 PRINTED CIRCUIT REV. FOR DGL BOARD IS SIA

USE THE ETCH BOARD OF THE RIII

REV. NO.	CHG. NO.	REV.
5385	B	
5460	C	
5750	D	

DRN. I HAHN	DATE 6-10-65
CHK'D R SILVERMAN	DATE 6-18-65
ENG. R SOGGE	DATE 6-18-65
PROD.	DATE

TRANSISTOR & DIODE CONVERSION CHART	
DEC	EIA
DEC3639	2N3639
D662	1N645
D664	1N3606

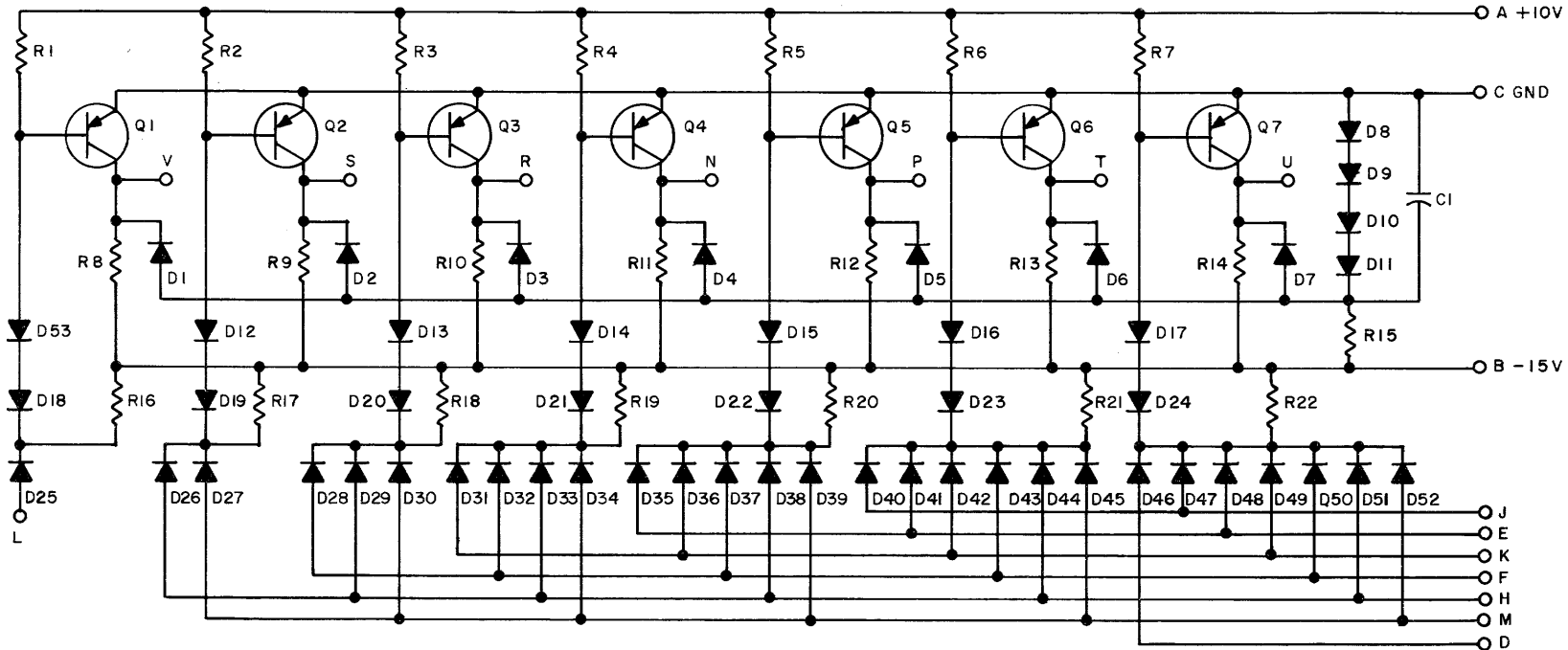
digital
 EQUIPMENT CORPORATION
 MAYNARD, MASSACHUSETTS

TITLE DIODE GATE SIII			
SIZE B	CODE CS	NUMBER III-0-1	REV. D
PRINTED CIRCUIT REV.			DF

↓

REV. A	NUMBER S181-0-1	CS	B
SIZE	CODE	REV.	REV.

THIS SCHEMATIC IS FURNISHED ONLY FOR TEST AND MAINTENANCE PURPOSES. THE CIRCUITS ARE PROPRIETARY IN NATURE AND SHOULD BE TREATED ACCORDINGLY. COPYRIGHT 1965 BY DIGITAL EQUIPMENT CORPORATION



USE THE ETCH BOARD OF THE R181

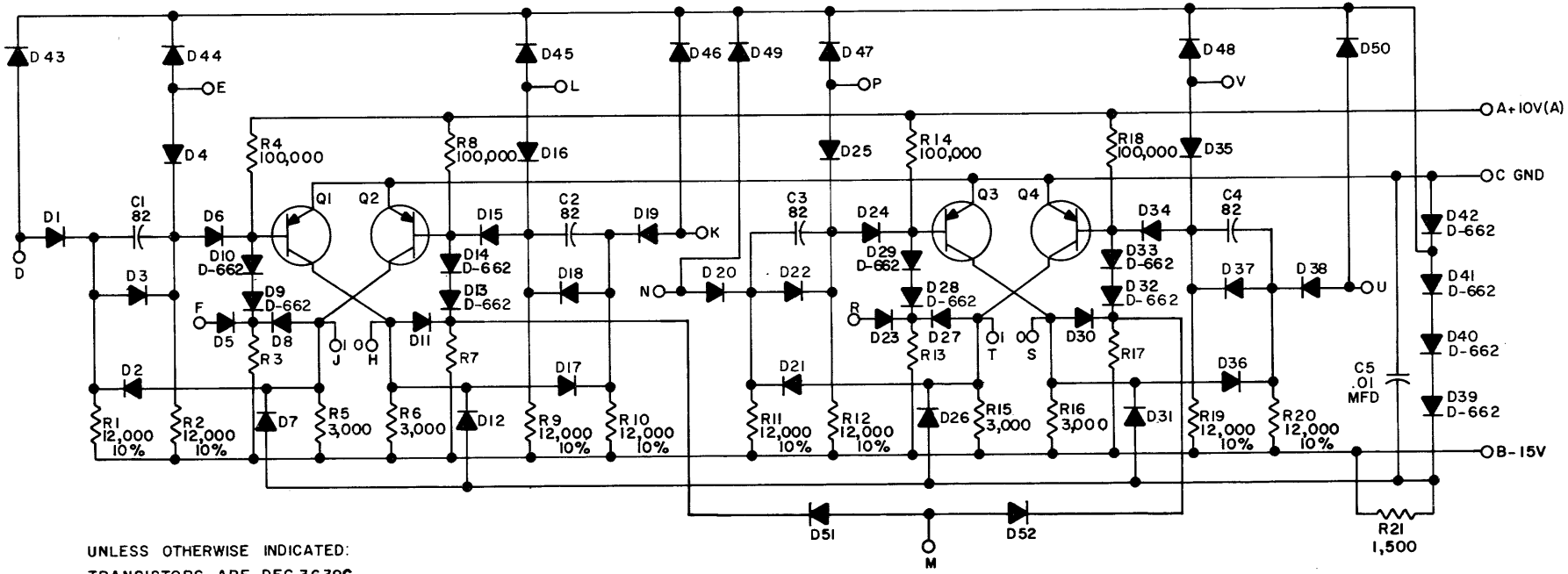
Q1 THRU Q7	TRANSISTOR DEC3639B	1502762
R16 THRU R22	RES. 15K 1/4W 5%	1300496
R15	RES. 1.5K 1/4W 5% CC	1300391
R8 THRU R14	RES. 3K 1/4W 5% CC	1300432
R1 THRU R7	RES. 100K 1/4W 5% CC	1302466
D1 THRU D7, D25 THRU D52	DIODE D664	1100114
D8 THRU D24, D53	DIODE D662	1100113
C1	CAP. .01MFD 50V -0 +20% DISC	1000001
PARTS LIST		A-PL-S181-0-0
REFERENCE DESIGNATION	DESCRIPTION	PART NO.

REVISIONS CHK'D R. SILVERMAN REV. 6759 A	DRN. I. HAHN DATE 6-11-65	TRANSISTOR & DIODE CONVERSION CHART			TITLE DC CARRY CHAIN S181	
	ENG. R. SOGGE DATE 6-18-65	DEC DEC3639B D662 D664	EIA 2N3639 1N645 1N3606		SIZE B CS	CODE S181-0-1
PROD. DATE			MAYNARD, MASSACHUSETTS		PRINTED CIRCUIT REV. C	

↓

REV.	D	NUMBER	CS	B	SIZE
		S202-0-1			

THIS SCHEMATIC IS FURNISHED ONLY FOR TEST AND MAINTENANCE PURPOSES. THE CIRCUITS ARE PROPRIETARY IN NATURE AND SHOULD BE TREATED ACCORDINGLY. COPYRIGHT 1965 BY DIGITAL EQUIPMENT CORPORATION



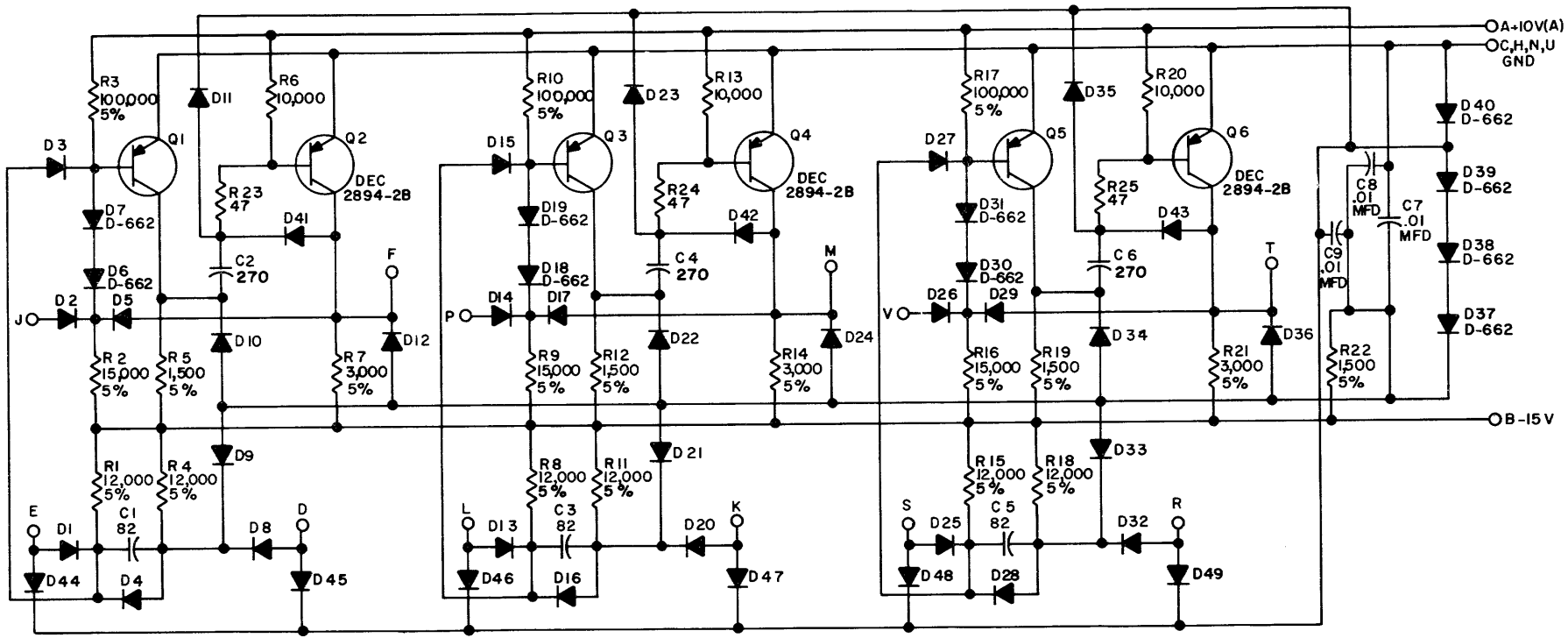
UNLESS OTHERWISE INDICATED:
 TRANSISTORS ARE DEC 3639C
 RESISTORS ARE 15,000
 RESISTORS ARE 1/4W, 5%
 CAPACITORS ARE MMFD
 DIODES ARE D-664

USE THE ETCH BOARD OF THE R202

REVISIONS CHG NO. REV 4994 I REV & REDR. B 5469 C 5493 D 5683 D	DRN. I. HAHN	DATE 6-15-65	TRANSISTOR & DIODE CONVERSION CHART				digital EQUIPMENT CORPORATION MAYNARD, MASSACHUSETTS	TITLE DUAL FLIP-FLOP S202			
	CHK'D R. SIVERMAN	DATE 6-18-65	DEC	EIA	DEC	EIA		SIZE B	CODE CS	NUMBER S202-0-1	REV D
	ENG. R. SOGGE	DATE 6-18-65	D662	IN645							
	PROD.	DATE	D664	IN3606							
							PRINTED CIRCUIT REV. DE				

REV. E
 NUMBER S603-0-1
 CS B
 CODE SIZE

THIS SCHEMATIC IS FURNISHED ONLY FOR TEST AND MAINTENANCE PURPOSES. THE CIRCUITS ARE PROPRIETARY IN NATURE AND SHOULD BE TREATED ACCORDINGLY. COPYRIGHT 1965 BY DIGITAL EQUIPMENT CORPORATION



UNLESS OTHERWISE INDICATED:
 RESISTORS ARE 1/4W; 10%
 CAPACITORS ARE MMFD
 DIODES ARE D-664
 TRANSISTORS ARE DEC 3639-C

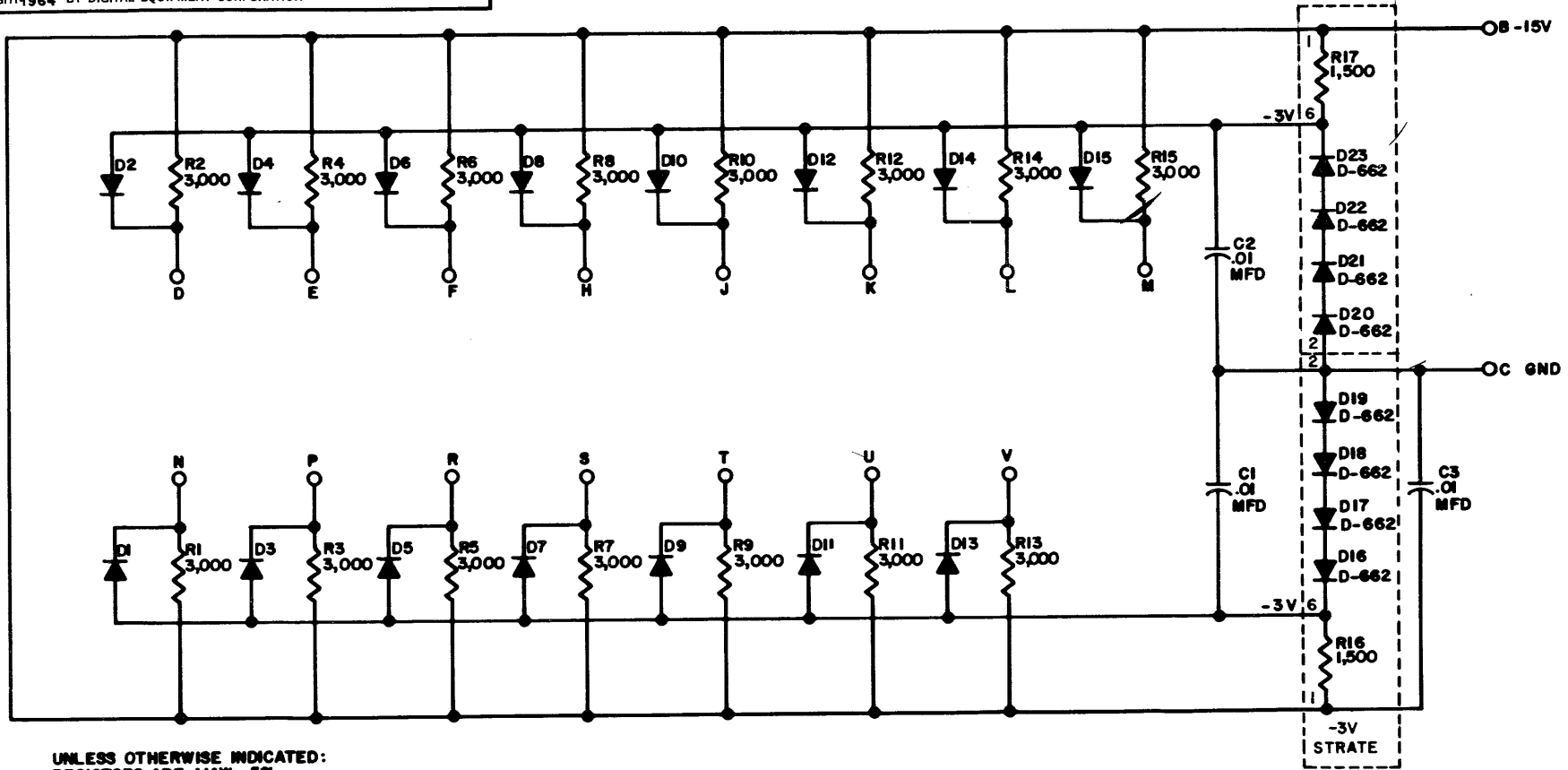
USE THE ETCH BOARD OF THE R603

PARTS LIST A-PL-S603-0-0

REVISIONS CHK CHG NO. REV. DAW 5273 2 REV. & REPR. R. S. 5371 C 5923 D 5859 E	DRN. I HAHN	DATE 6-14-65	TRANSISTOR & DIODE CONVERSION CHART				digital EQUIPMENT CORPORATION MAYNARD, MASSACHUSETTS	TITLE PULSE AMPLIFIER S603			
	CHK'D R SILVERMAN	DATE 6-18-65	DEC	EIA	DEC	EIA		SIZE B	CODE CS	NUMBER S603-0-1	REV. E
	ENG. R. SOGGE	DATE 6-18-65	DEC 2894-2B	NONE				PRINTED CIRCUIT REV. D			
	PROD.	DATE	DEC 3639C	2N3639							
			D662	1N645							
			D664	1N3606							

REV. B
 NUMBER CS W005-0-1
 SIZE B

THIS SCHEMATIC IS FURNISHED ONLY FOR TEST AND MAINTENANCE PURPOSES. THE CIRCUITS ARE PROPRIETARY IN NATURE AND SHOULD BE TREATED ACCORDINGLY. COPYRIGHT 1964 BY DIGITAL EQUIPMENT CORPORATION



UNLESS OTHERWISE INDICATED:
 RESISTORS ARE 1/4W, 5%
 DIODES ARE D-664

 < 0 1 2 3 4 5 6 7 8 9 A B C >

REVISIONS	CHK	CHG NO.	REV.
	DAW	8037	1
	REV.	BY	REV. DR.
		5397	B

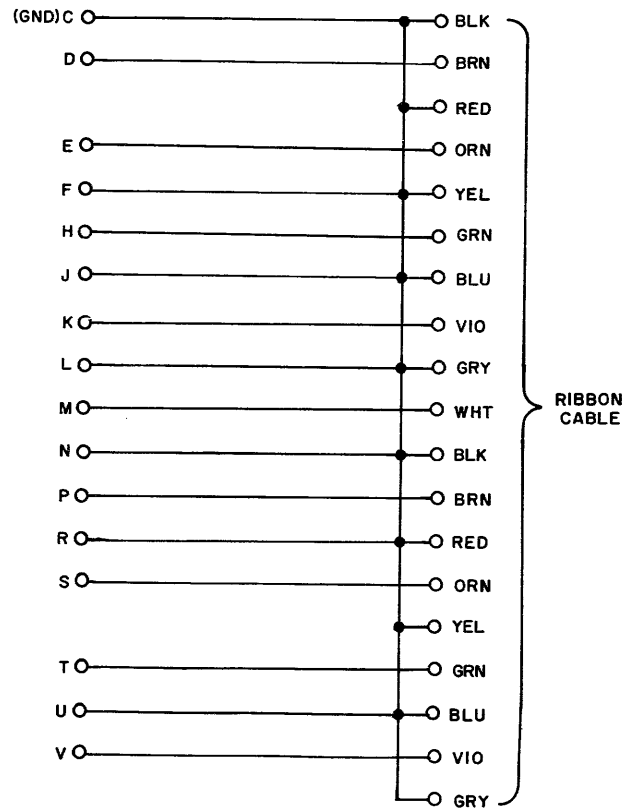
DRN.	M. PORTER	DATE	4-27-64
CHK'D	N. PERRYMAN	DATE	5-4-64
ENG.	B. SCUDNEY	DATE	5-4-64
PROD.		DATE	

TRANSISTOR & DIODE CONVERSION CHART			
DEC	EIA	DEC	EIA
D662	IN645		
D664	IN3606		

digital
 EQUIPMENT CORPORATION
 MAYNARD, MASSACHUSETTS

TITLE			
CLAMPED LOADS W005			
SIZE	CODE	NUMBER	REV.
B	CS	W005-0-1	B
PRINTED CIRCUIT REV.			B

RS-B-W021-1



TRANSISTOR & DIODE CONVERSION CHART			
DEC	EIA	DEC	EIA

NOTES

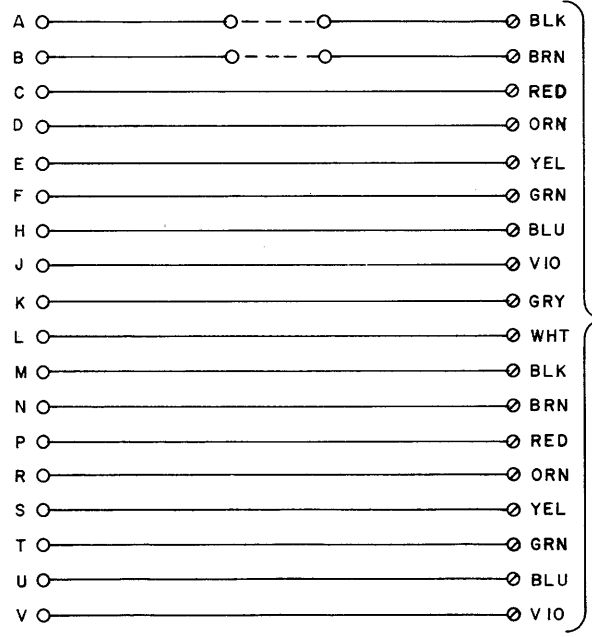
THIS SCHEMATIC IS FURNISHED ONLY FOR TEST AND MAINTENANCE PURPOSES. THE CIRCUITS ARE PROPRIETARY IN NATURE AND SHOULD BE TREATED ACCORDINGLY.

COPYRIGHT 1964 BY DIGITAL EQUIPMENT CORPORATION

A, B	RS-B-W021	I
SIGNAL CABLE CONNECTOR W021		

REV.	NUMBER	SIZE	CODE	B
	1-0-0-1	CS	W023-0-1	

THIS SCHEMATIC IS FURNISHED ONLY FOR TEST AND MAINTENANCE PURPOSES. THE CIRCUITS ARE PROPRIETARY IN NATURE AND SHOULD BE TREATED ACCORDINGLY. COPYRIGHT 1968 BY DIGITAL EQUIPMENT CORPORATION



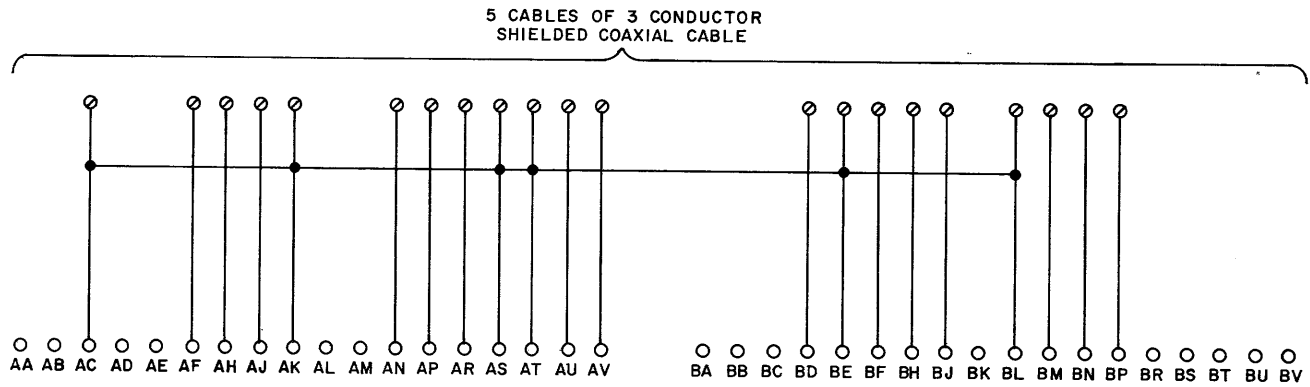
NOTE:
 ⓪ ARE SPLIT LUGS

PARTS LIST IS A-PL-W023-0-0

REVISIONS CHK CHG NO. REV.	DRN. <i>M. Haller</i>	DATE <i>10-16-68</i>	TRANSISTOR & DIODE CONVERSION CHART				digital	TITLE CONNECTOR W023			
			DEC	EIA	DEC	EIA		SIZE	CODE	NUMBER	REV.
	CHK'D <i>M. Haller</i>	DATE <i>10-18-68</i>					B	CS	W023-0-1		
	ENG. <i>J. Gentry</i>	DATE <i>11-12-68</i>				EQUIPMENT CORPORATION					
	PROD.	DATE				MAYNARD, MASSACHUSETTS	PRINTED CIRCUIT REV.	A			

REV.	NUMBER	SIZE	CODE	B	CS	W032-0-1
------	--------	------	------	---	----	----------

THIS SCHEMATIC IS FURNISHED ONLY FOR TEST AND MAINTENANCE PURPOSES. THE CIRCUITS ARE PROPRIETARY IN NATURE AND SHOULD BE TREATED ACCORDINGLY. COPYRIGHT 1968 BY DIGITAL EQUIPMENT CORPORATION

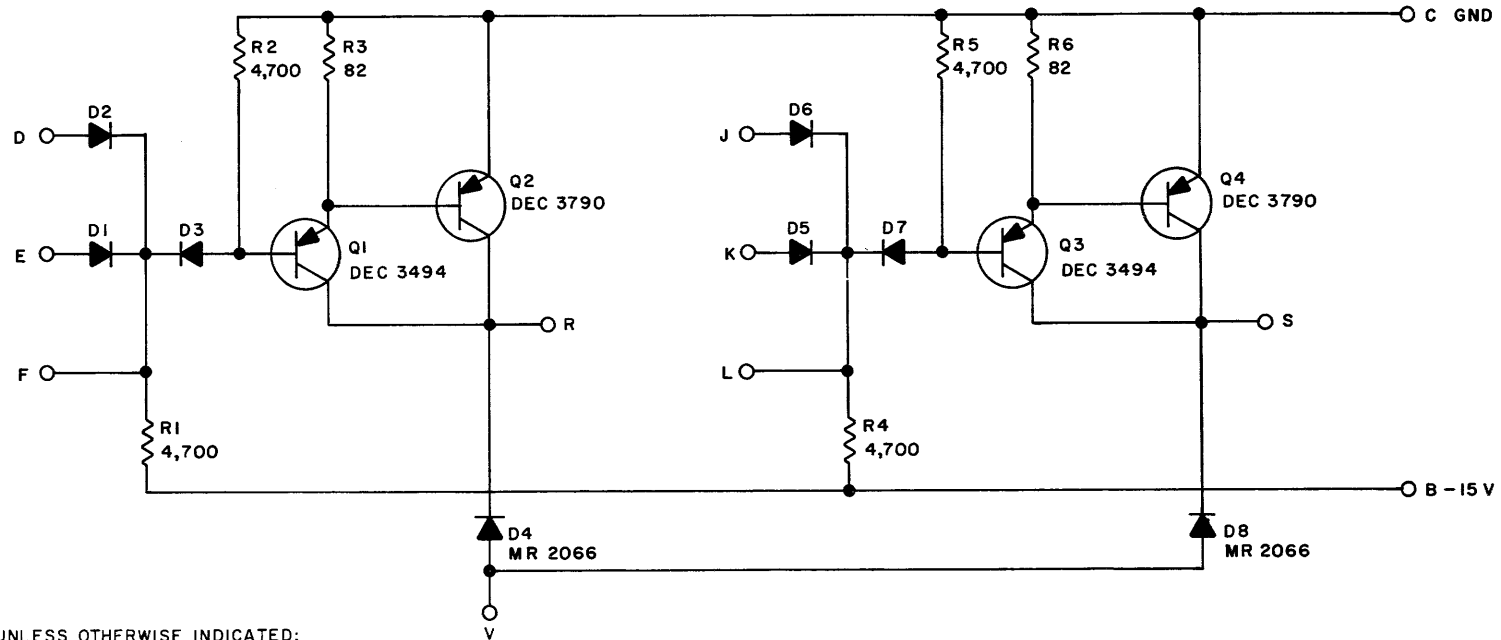


NOTE:
 ∅ ARE SPLIT LUGS

PARTS LIST IS A-PL-W032-0-0

REVISIONS CHK/CHG NO. REV.	DRN.	DATE	TRANSISTOR & DIODE CONVERSION CHART				digital EQUIPMENT CORPORATION MAYNARD, MASSACHUSETTS	TITLE			
	CHK'D	DATE	DEC	EIA	DEC	EIA		CONNECTOR W032			
	ENGR.	DATE						SIZE	CODE	NUMBER	REV.
	PROD.	DATE						B	CS	W032-0-1	
							PRINTED CIRCUIT REV.				
							A				

RS-B-W040-2



UNLESS OTHERWISE INDICATED;
RESISTORS ARE 1/4 W; 10 %
DIODES ARE D-664

TRANSISTOR & DIODE CONVERSION CHART			
DEC	EIA	DEC	EIA
DEC 3790	2N 3790		
DEC 3494	2N 3494		
D-664	1N 645		
MR 2066	1N 4003		

NOTES

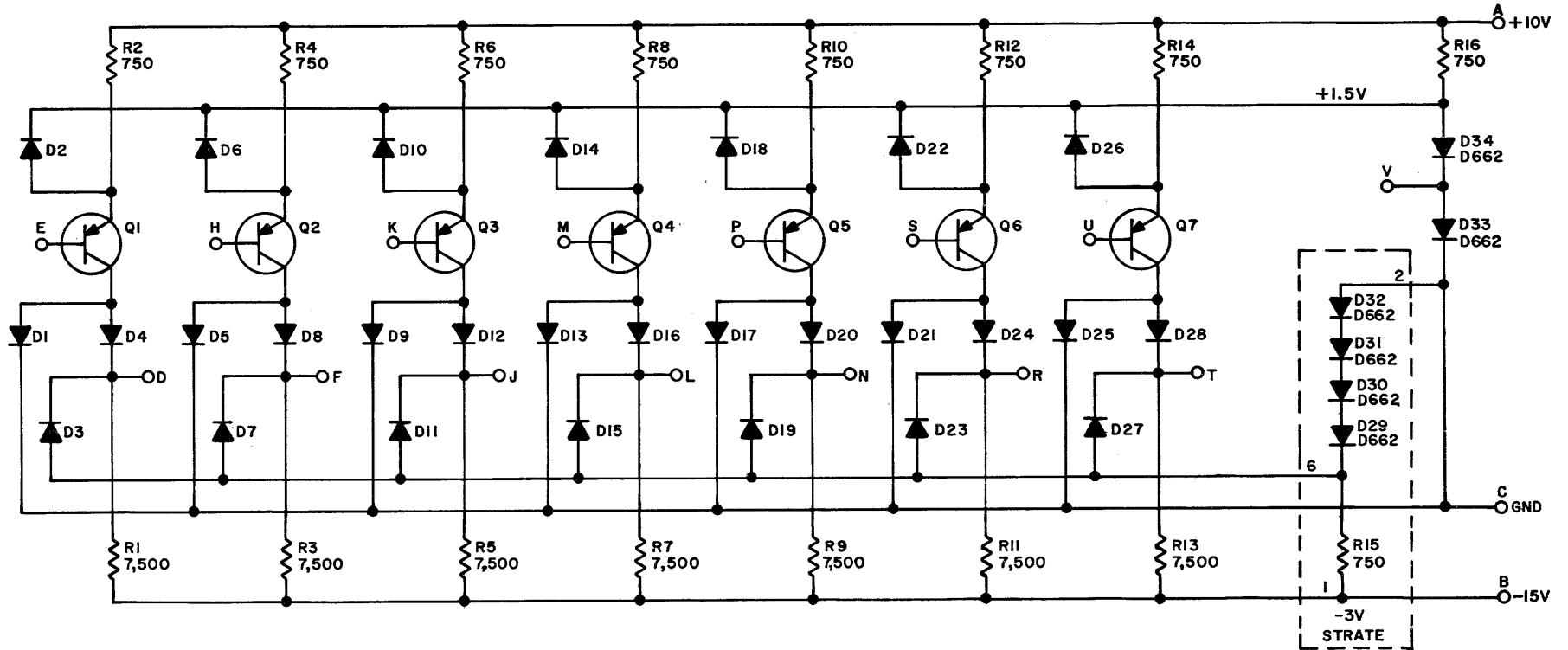
THIS SCHEMATIC IS FURNISHED ONLY FOR TEST AND MAINTENANCE PURPOSES. THE CIRCUITS ARE PROPRIETARY IN NATURE AND SHOULD BE TREATED ACCORDINGLY.

COPYRIGHT 1966 BY DIGITAL EQUIPMENT CORPORATION

<-----> < A U O W X Z K J Z A K R T D >		
B	RS-B-W040	2
SOLENOID DRIVER W040		

REV. B
 NUMBER W512-0-1
 SIZE CODE B CS

THIS SCHEMATIC IS FURNISHED ONLY FOR TEST AND MAINTENANCE PURPOSES. THE CIRCUITS ARE PROPRIETARY IN NATURE AND SHOULD BE TREATED ACCORDINGLY. COPYRIGHT 1966 BY DIGITAL EQUIPMENT CORPORATION



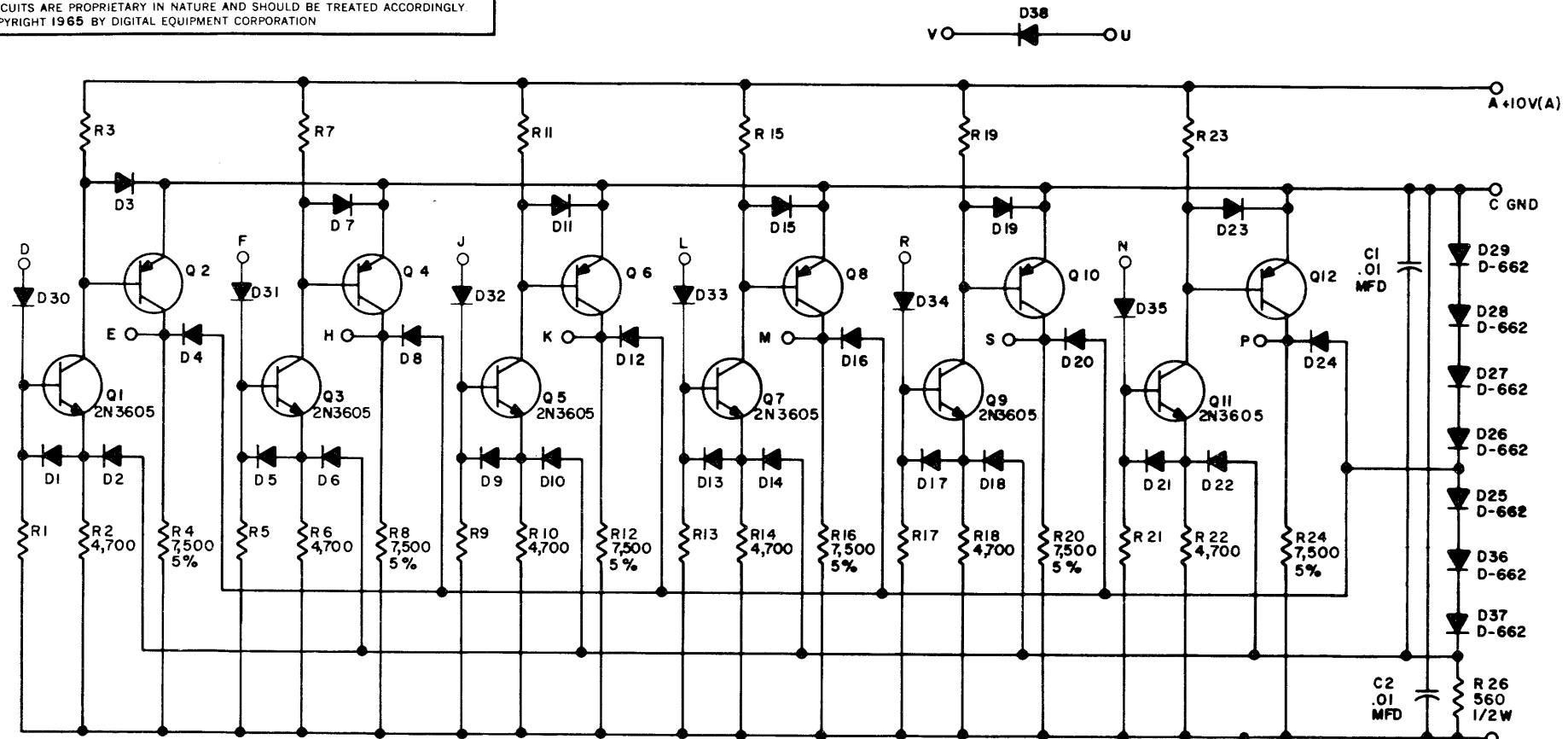
UNLESS OTHERWISE INDICATED:
 RESISTORS ARE 1/4W; 5%
 DIODES ARE D664
 TRANSISTORS ARE DEC3639B

(R15 IS 1,500 WHEN -3V STRATE IS USED)



REVISIONS CHK CHG NO. REV. 1 606 A 2 616 B	DPN <i>M. Schyman</i> CHK'D <i>R. Poore</i> ENG <i>R. Poore</i> PROD.	DATE 8/16/66 DATE 8/16/66 DATE	TRANSISTOR & DIODE CONVERSION CHART		digital EQUIPMENT CORPORATION MAYNARD, MASSACHUSETTS	TITLE POSITIVE LEVEL CONVERTER W512			SIZE CODE NUMBER REV. B CS W512-0-1 B	
			DEC	EIA		DEC	EIA	PRINTED CIRCUIT REV.		A
			DEC3639B	2N3639						
			D662	IN645						

THIS SCHEMATIC IS FURNISHED ONLY FOR TEST AND MAINTENANCE PURPOSES. THE CIRCUITS ARE PROPRIETARY IN NATURE AND SHOULD BE TREATED ACCORDINGLY. COPYRIGHT 1965 BY DIGITAL EQUIPMENT CORPORATION



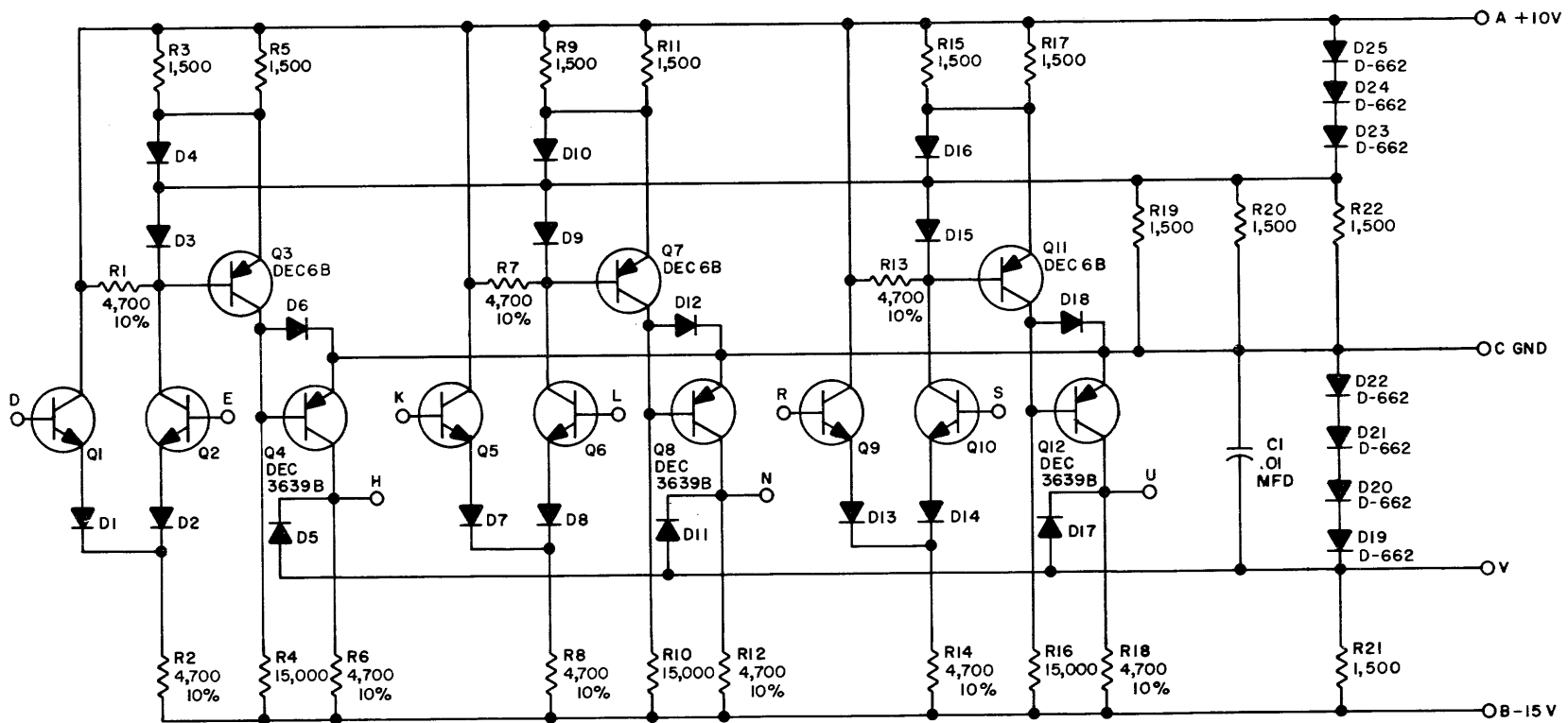
UNLESS OTHERWISE INDICATED:
 TRANSISTORS ARE DEC 2894-1B
 DIODES ARE D-664
 RESISTORS ARE 10,000; 1/4W; 10%
 RESISTORS ARE 1/4 W; 10%

NOTE: TO BE USED WHEN SOLID STATE DEC TAPE TU55 IS CONNECTED TO A CONTROL THAT HAS RELAY DRIVERS.(550,551,552)

REVISIONS CHK CHG NO REV DAW 52.8.2 4 REV 5.7.27 E 5.7.41 E	DRN I. MAHN	DATE 5-27-65	TRANSISTOR & DIODE CONVERSION CHART		digital EQUIPMENT CORPORATION MAYNARD, MASSACHUSETTS	TITLE LEVEL AMPLIFIER W513					
	CHK'D R. SILVERMAN	DATE 6-4-65	DEC	EIA		DEC	EIA	SIZE B	CODE CS	NUMBER W513-0-1	REV. E
	ENG. D. WARDIMON	DATE 6-5-65	DEC2894-1B	NONE							
	PROD	DATE	2N3605	SAME							
			D662	IN645							
			D664	IN3606							

C
REV. NUMBER W520-0-1
SIZE CODE B CS

THIS SCHEMATIC IS FURNISHED ONLY FOR TEST AND MAINTENANCE PURPOSES. THE CIRCUITS ARE PROPRIETARY IN NATURE AND SHOULD BE TREATED ACCORDINGLY. COPYRIGHT 1965 BY DIGITAL EQUIPMENT CORPORATION



UNLESS OTHERWISE INDICATED:
RESISTORS ARE 1/4W; 5%
DIODES ARE D-664
TRANSISTORS ARE DEC 3009B

----->

PARTS LIST A-PL-W520-0-0

REVISIONS	CHK'G NO.	REV.
DAW 5136	1	
REV. & REDR.	REV.	
6407	B	
7008	C	

DRN	DATE
A. OUELLETTE	11-24-65
CHK'D	DATE
N. PERRYMAN	11-29-65
ENG.	DATE
D.A. WHITE	11-30-65
PROD.	DATE

TRANSISTOR & DIODE CONVERSION CHART	
DEC	EIA
DEC68	NONE
DEC3009B	2N3009
DEC3639B	2N3639
D662	1N645
D664	1N3606

digital	
EQUIPMENT CORPORATION	
MAYNARD, MASSACHUSETTS	

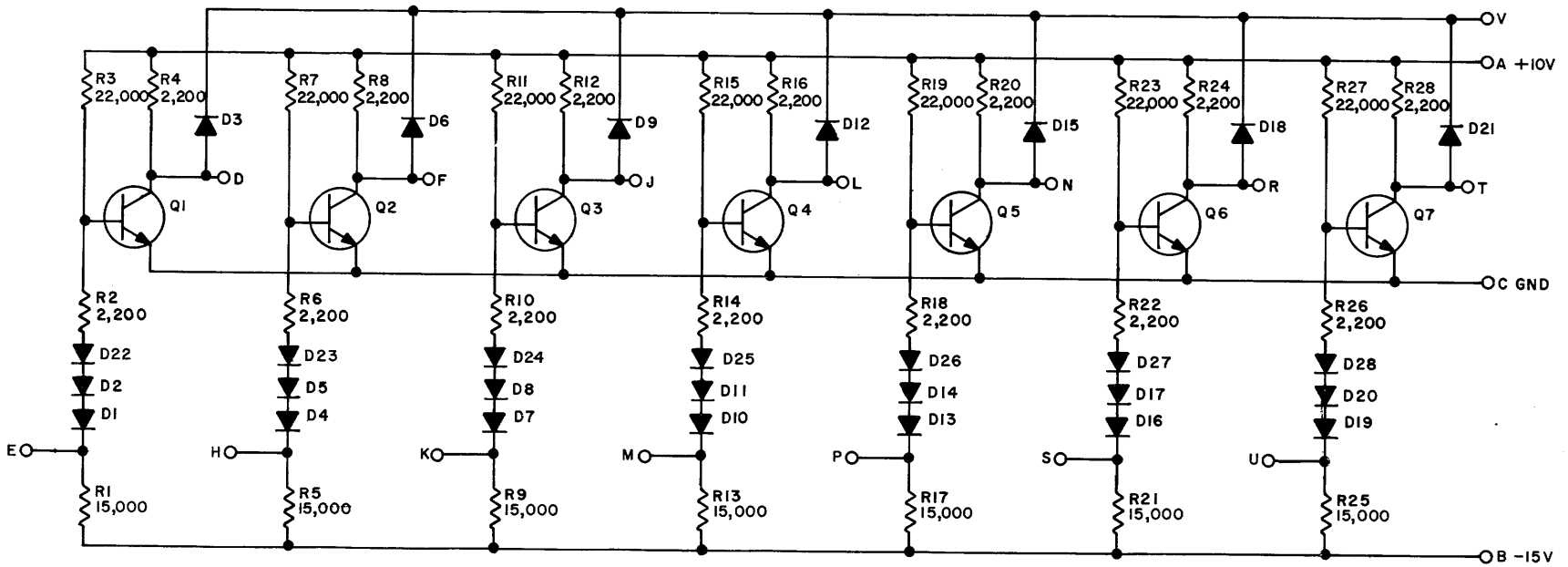
TITLE			
COMPARATOR W520			
SIZE	CODE	NUMBER	REV.
B	CS	W520-0-1	C
PRINTED CIRCUIT REV			
B			

DIST. 324 434 435

PINK

C REV. NUMBER W603-0-1 CS B SIZE

THIS SCHEMATIC IS FURNISHED ONLY FOR TEST AND MAINTENANCE PURPOSES. THE CIRCUITS ARE PROPRIETARY IN NATURE AND SHOULD BE TREATED ACCORDINGLY. COPYRIGHT 1966 BY DIGITAL EQUIPMENT CORPORATION



UNLESS OTHERWISE INDICATED:
 RESISTORS ARE 1/4W, 10%
 DIODES ARE D664
 TRANSISTORS ARE DEC3009B



PARTS LIST A-PL-W603-0-0

REVISONS	CHK	CHG NO.	REV.
		6172	A
		6744	B
		7136	C

DRN.	DATE
CHK'D	DATE
ENG.	DATE
PROD.	DATE

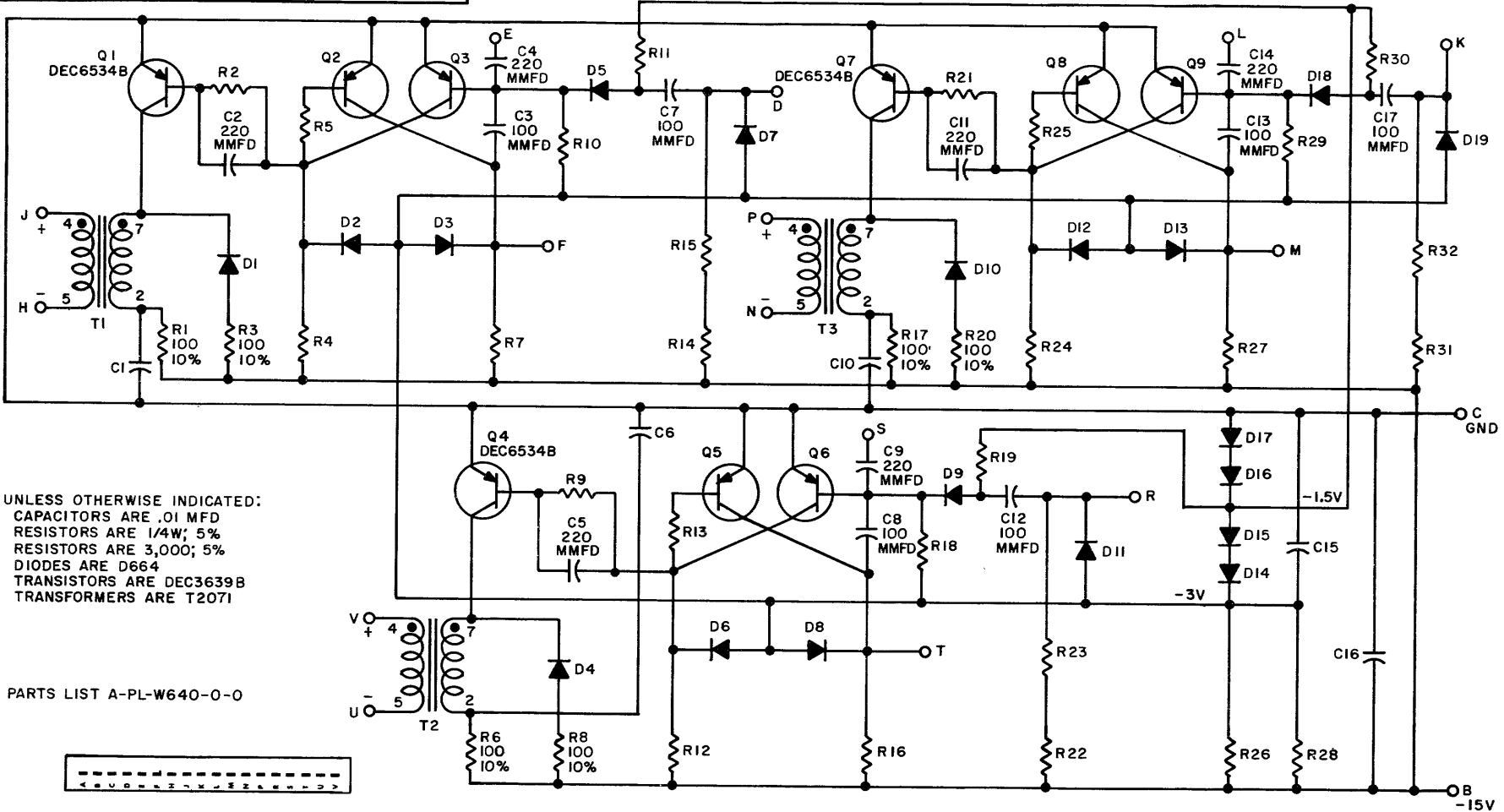
TRANSISTOR & DIODE CONVERSION CHART			
DEC	EIA	DEC	EIA
DEC3009B	2N3009		
D664	1N3606		

digital
 EQUIPMENT CORPORATION
 MAYNARD, MASSACHUSETTS

TITLE				POSITIVE LEVEL AMPLIFIER W603			
SIZE	CODE	NUMBER	REV.	SIZE	CODE	NUMBER	REV.
B	CS	W603-0-1	C	B	CS	W603-0-1	C
PRINTED CIRCUIT REV.							B

REV. L
 NUMBER W640-0-1
 SIZE B
 CODE CS

THIS SCHEMATIC IS FURNISHED ONLY FOR TEST AND MAINTENANCE PURPOSES. THE CIRCUITS ARE PROPRIETARY IN NATURE AND SHOULD BE TREATED ACCORDINGLY. COPYRIGHT 1964 BY DIGITAL EQUIPMENT CORPORATION



UNLESS OTHERWISE INDICATED:
 CAPACITORS ARE .01 MFD
 RESISTORS ARE 1/4W; 5%
 RESISTORS ARE 3,000; 5%
 DIODES ARE D664
 TRANSISTORS ARE DEC3639B
 TRANSFORMERS ARE T2071

PARTS LIST A-PL-W640-0-0

 A B C D E F G H I J K L M N O P Q R S T U V W X Y Z AA AB AC AD AE AF AG AH AI AJ AK AL AM AN AO AP AQ AR AS AT AU AV AW AX AY AZ BA BB BC BD BE BF BG BH BI BJ BK BL BM BN BO BP BQ BR BS BT BU BV BW BX BY BZ CA CB CC CD CE CF CG CH CI CJ CK CL CM CN CO CP CQ CR CS CT CU CV CW CX CY CZ DA DB DC DD DE DF DG DH DI DJ DK DL DM DN DO DP DQ DR DS DT DU DV DW DX DY DZ EA EB EC ED EE EF EG EH EI EJ EK EL EM EN EO EP EQ ER ES ET EU EV EW EX EY EZ FA FB FC FD FE FF FG FH FI FJ FK FL FM FN FO FP FQ FR FS FT FU FV FW FX FY FZ GA GB GC GD GE GF GG GH GI GJ GK GL GM GN GO GP GQ GR GS GT GU GV GW GX GY GZ HA HB HC HD HE HF HG HH HI HJ HK HL HM HN HO HP HQ HR HS HT HU HV HW HX HY HZ IA IB IC ID IE IF IG IH II IJ IK IL IM IN IO IP IQ IR IS IT IU IV IW IX IY IZ JA JB JC JD JE JF JG JH JI JJ JK JL JM JN JO JP JQ JR JS JT JU JV JW JX JY JZ KA KB KC KD KE KF KG KH KI KJ KK KL KM KN KO KP KQ KR KS KT KU KV KW KX KY KZ LA LB LC LD LE LF LG LH LI LJ LK LL LM LN LO LP LQ LR LS LT LU LV LW LX LY LZ MA MB MC MD ME MF MG MH MI MJ MK ML MM MN MO MP MQ MR MS MT MU MV MW MX MY MZ NA NB NC ND NE NF NG NH NI NJ NK NL NM NN NO NP NQ NR NS NT NU NV NW NX NY NZ OA OB OC OD OE OF OG OH OI OJ OK OL OM ON OO OP OQ OR OS OT OU OV OW OX OY OZ PA PB PC PD PE PF PG PH PI PJ PK PL PM PN PO PP PQ PR PS PT PU PV PW PX PY PZ QA QB QC QD QE QF QG QH QI QJ QK QL QM QN QO QP QQ QR QS QT QU QV QW QX QY QZ RA RB RC RD RE RF RG RH RI RJ RK RL RM RN RO RP RQ RR RS RT RU RV RW RX RY RZ SA SB SC SD SE SF SG SH SI SJ SK SL SM SN SO SP SQ SR SS ST SU SV SW SX SY SZ TA TB TC TD TE TF TG TH TI TJ TK TL TM TN TO TP TQ TR TS TT TU TV TW TX TY TZ UA UB UC UD UE UF UG UH UI UJ UK UL UM UN UO UP UQ UR US UT UY UZ VA VB VC VD VE VF VG VH VI VJ VK VL VM VN VO VP VQ VR VS VT VU VV VW VX VY VZ WA WB WC WD WE WF WG WH WI WJ WK WL WM WN WO WP WQ WR WS WT WU WV WW WX WY WZ XA XB XC XD XE XF XG XH XI XJ XK XL XM XN XO XP XQ XR XS XT XU XV XW XX XY XZ YA YB YC YD YE YF YG YH YI YJ YK YL YM YN YO YP YQ YR YS YT YU YV YW YX YY YZ ZA ZB ZC ZD ZE ZF ZG ZH ZI ZJ ZK ZL ZM ZN ZO ZP ZQ ZR ZS ZT ZU ZV ZW ZX ZY ZZ

REV.	CHG. NO.	REV.
5876	H	
6181	J	
6816	K	
6945	L	

DRN. H. PORTER	DATE 9-22-64
CHK'D N. PERRYMAN	DATE 9-29-64
ENG. R. BANK	DATE 9-29-64
PROD. 2	DATE

TRANSISTOR & DIODE CONVERSION CHART			
DEC	EIA	DEC	EIA
DEC3639B	2N3639		
DEC6534B	MPS6534		
D664	IN3606		

digital
 EQUIPMENT CORPORATION
 MAYNARD, MASSACHUSETTS

TITLE
PULSE AMPLIFIER W640

SIZE B CODE CS NUMBER W640-0-1 REV. L

PRINTED CIRCUIT REV. J

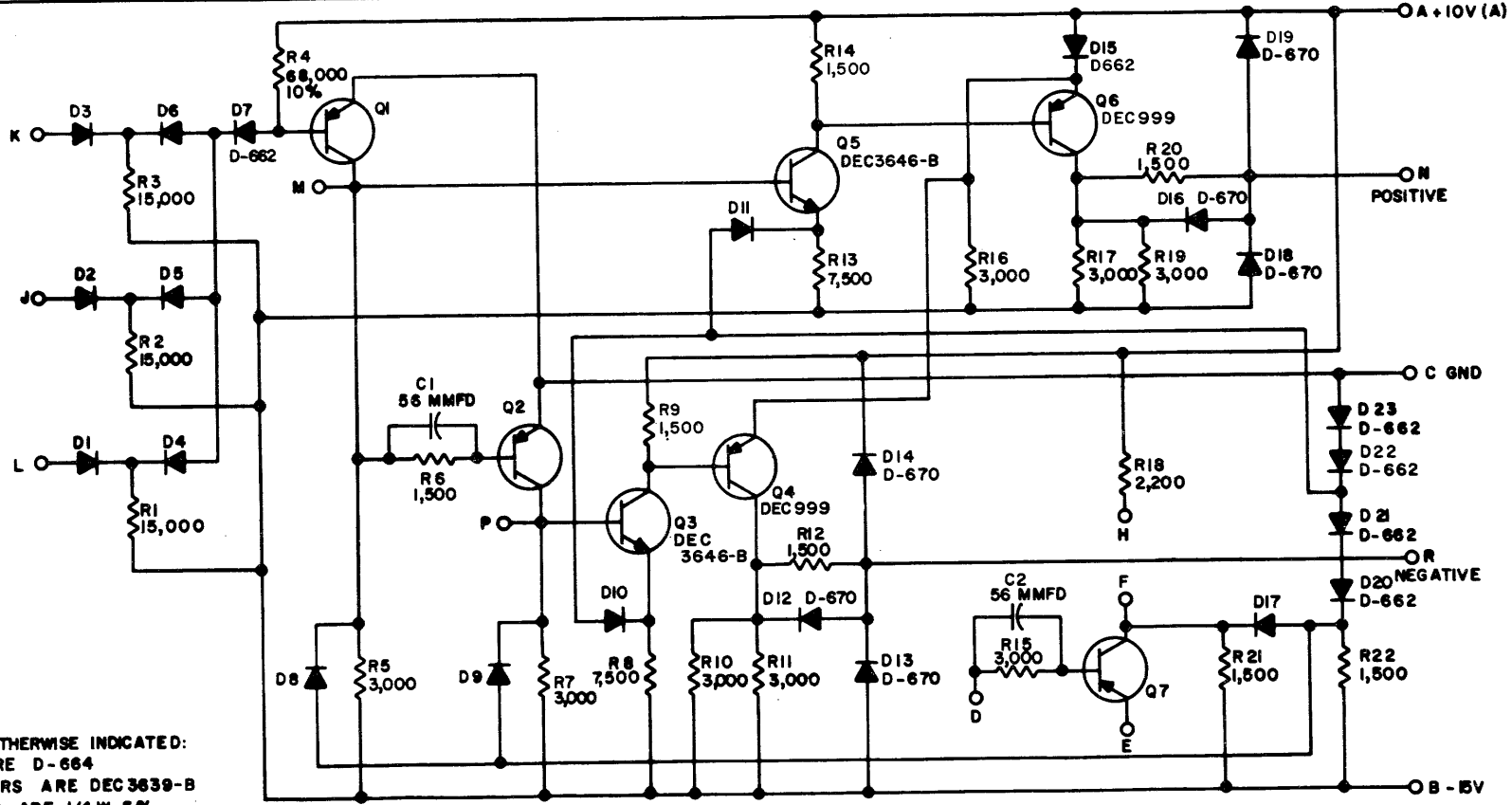
DEC FORM NO. DRB 102

PINK

DIST. 324 434 435

H REV. NUMBER W681-O-1 CS B SIZE

THIS SCHEMATIC IS FURNISHED ONLY FOR TEST AND MAINTENANCE PURPOSES. THE CIRCUITS ARE PROPRIETARY IN NATURE AND SHOULD BE TREATED ACCORDINGLY. COPYRIGHT 1965 BY DIGITAL EQUIPMENT CORPORATION



UNLESS OTHERWISE INDICATED:
 DIODES ARE D-664
 TRANSISTORS ARE DEC3639-B
 RESISTORS ARE 1/4 W, 5%

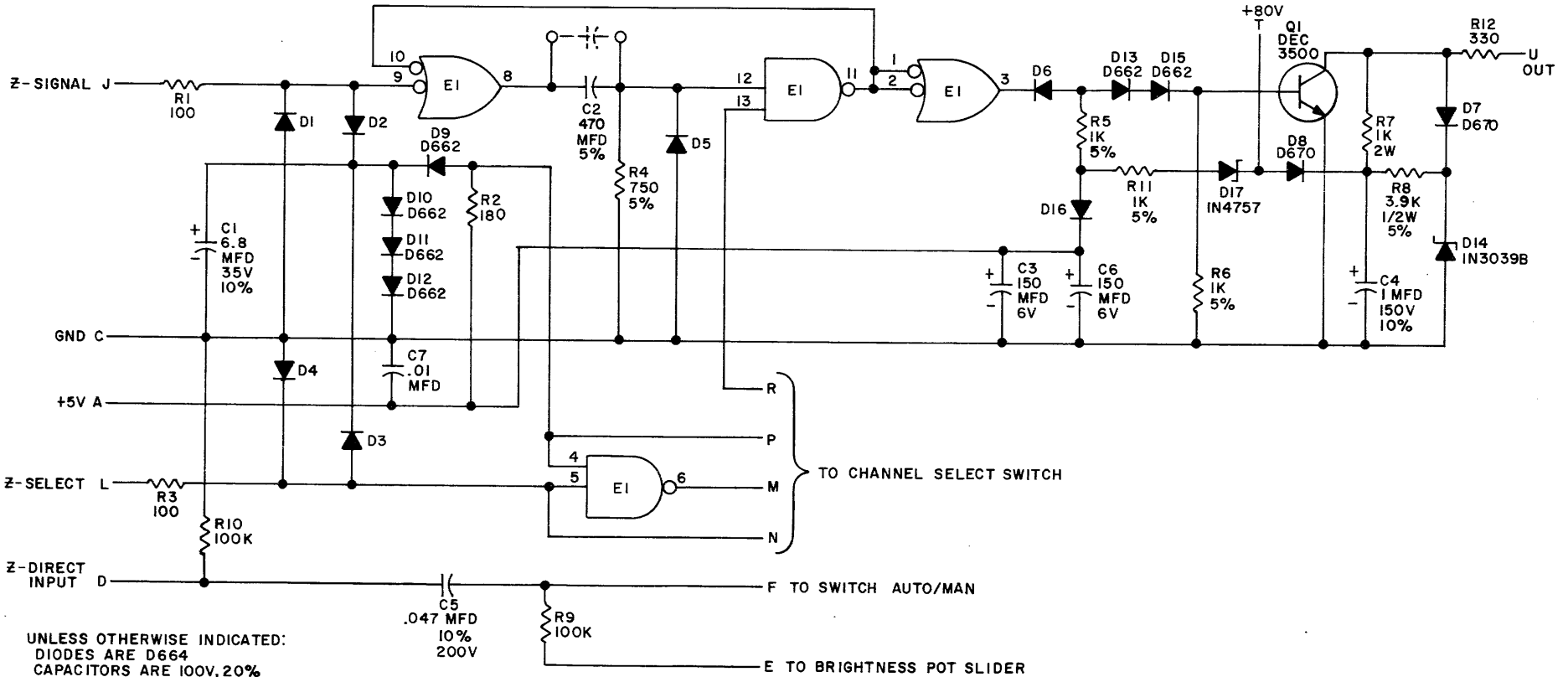
PARTS LIST A-PL-W681-O-0

REVISIONS CHK/CHG NO./REV. DAW/5370/2 REV. (REDR.) 5441 C 5566 D 5652 E 5829 F 7110 H	DRN. I. HAHN	DATE 4-16-65	TRANSISTOR & DIODE CONVERSION CHART		digital EQUIPMENT CORPORATION MAYNARD, MASSACHUSETTS	TITLE SCOPE INTENSIFIER W681			REV. H	
	CHK'D R. SILVERMAN	DATE 4-21-65	DEC	EIA		DEC	EIA	SIZE B	CODE CS	NUMBER W681-O-1
	ENG. R. SOGGE	DATE 4-20-65	DEC3639-B	2N3639-B		D670	IN3653	PRINTED CIRCUIT REV.	A	
	PROD.	DATE	DEC999	MM999						
			DEC3646-B	NONE						
			D662	IN645						
			D664	IN3806						

DIST. 5/11/65 PINK

REV. E
 NUMBER W682-0-1
 SIZE B
 CODE CS
 NUMBER

THIS SCHEMATIC IS FURNISHED ONLY FOR TEST AND MAINTENANCE PURPOSES. THE CIRCUITS ARE PROPRIETARY IN NATURE AND SHOULD BE TREATED ACCORDINGLY. COPYRIGHT 1969 BY DIGITAL EQUIPMENT CORPORATION



UNLESS OTHERWISE INDICATED:
 DIODES ARE D664
 CAPACITORS ARE 100V, 20%
 E1 IS DEC7400N
 PIN 7 ON IC = GND
 PIN 14 ON IC = +5V
 RESISTORS ARE 1/4W, 10%

REVISIONS	CHK	CHG NO.	REV.
	1	00001	B
	2	00002	C
	3	00003	D
	4	00004	E

DRN. *Mr. Keller* DATE 5-20-69
 CHK'D. *V. D. Hallett* DATE 6/12/69
 ENG. *W. J. Schlar* DATE 8/17/69
 PROD. *J. Schlar* DATE 8-5-69

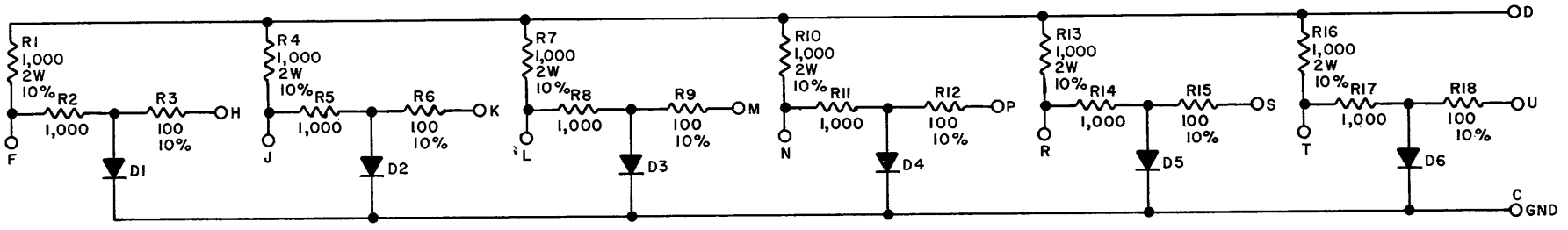
TRANSISTOR & DIODE CONVERSION CHART			
DEC	EIA	DEC	EIA
D662	IN645	IN4757	SAME
D664	IN3606		
D670	IN3653		
IN3039B	SAME		
DEC3500	2N3500		

digital
 EQUIPMENT CORPORATION
 MAYNARD, MASSACHUSETTS

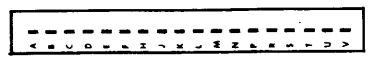
TITLE INTENSITY AMPLIFIER W682			
SIZE B	CODE CS	NUMBER W682-0-1	REV. E
PRINTED CIRCUIT REV. A			

REV	A	NUMBER	W701-0-1	CS	B	SIZE	CODE
-----	---	--------	----------	----	---	------	------

THIS SCHEMATIC IS FURNISHED ONLY FOR TEST AND MAINTENANCE PURPOSES. THE CIRCUITS ARE PROPRIETARY IN NATURE AND SHOULD BE TREATED ACCORDINGLY. COPYRIGHT 1965 BY DIGITAL EQUIPMENT CORPORATION



UNLESS OTHERWISE INDICATED:
RESISTORS ARE 1/4W; 5%
DIODES ARE D664

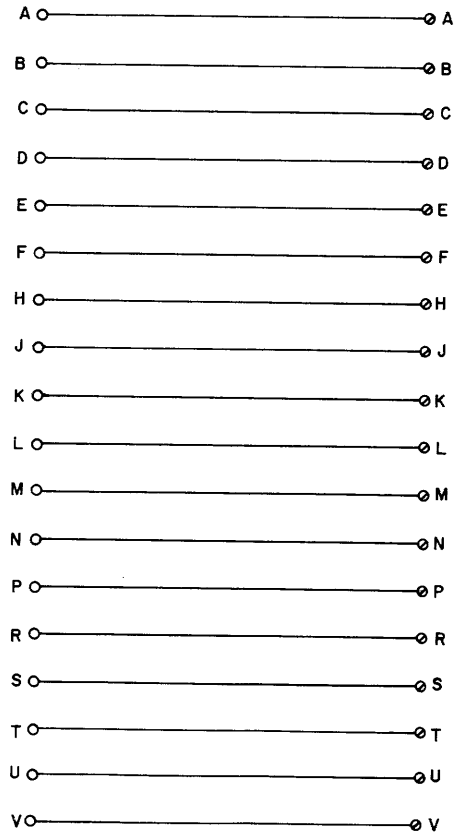


REVISIONS CHG NO REV REV B REDR. 4-5532 A	DRN.	I. HAHN	DATE	10-20-65	TRANSISTOR & DIODE CONVERSION CHART				digital EQUIPMENT CORPORATION MAYNARD, MASSACHUSETTS	TITLE							
	CHK'D	R. SILVERMAN	DATE	10-21-65	DEC	EIA	DEC	EIA		INPUT NETWORK W701							
	ENG.	E. DE CASTRO	DATE	10-21-65	D664	IN3606				SIZE	CODE	NUMBER	REV.				
	PROD.		DATE							B	CS	W701-0-1	A				
PRINTED CIRCUIT REV.												A					



REV. A	NUMBER W990-0-1	CS	B
SIZE	CODE	CS	B

THIS SCHEMATIC IS FURNISHED ONLY FOR TEST AND MAINTENANCE PURPOSES. THE CIRCUITS ARE PROPRIETARY IN NATURE AND SHOULD BE TREATED ACCORDINGLY. COPYRIGHT 1969 BY DIGITAL EQUIPMENT CORPORATION



REVISIONS CHK CHG NO. REV. 00001 A	DRN. <i>[Signature]</i>	DATE <i>4-28-69</i>	TRANSISTOR & DIODE CONVERSION CHART				EQUIPMENT CORPORATION MAYNARD, MASSACHUSETTS	TITLE BLANK MODULE			
	CHK'D <i>M. Marchand</i>	DATE <i>4-28-69</i>	DEC	EIA	DEC	EIA		SIZE B	CODE CS	NUMBER W990-0-1	REV. A
	ENG. <i>[Signature]</i>	DATE <i>5/28/69</i>						PRINTED CIRCUIT REV. E			
	PROD.	DATE									

